

**ARKANSAS STATE HIGHWAY AND TRANSPORTATION DEPARTMENT  
EQUIPMENT AND PROCUREMENT DIVISION  
BID INVITATION**

Contract Number: H-17-206P

**BID OPENING LOCATION:**  
AHTD Equipment and  
Procurement Division  
11302 West Baseline Road  
Little Rock, AR 72209

**MAIL TO:**  
AHTD Equipment and  
Procurement Division  
P.O. Box 2261  
Little Rock, AR 72203

**DELIVER TO:**  
AHTD Equipment and  
Procurement Division  
11302 West Baseline Road  
Little Rock, AR 72209

Bid Opening Date: June 14, 2016 Time: 11:00 a.m.

Sealed bids for furnishing the commodities and/or services described below, subject to the Conditions on page 2 of this Bid Invitation will be received at the above-noted mail and delivery locations until the above-noted bid opening date and time, and then publicly opened at the above-noted bid opening location. **Bids must be submitted on this form, with attachments when appropriate, or bids will be rejected. Late bids and unsigned bids will not be considered.**

In compliance with this Bid Invitation and subject to all the Conditions thereof, the undersigned offers and agrees to furnish any and all items upon which prices are quoted, at the price set opposite each item.

Company Name: \_\_\_\_\_

Name (Type or Print): \_\_\_\_\_

Address: \_\_\_\_\_

Title: \_\_\_\_\_

Phone: \_\_\_\_\_ Fax: \_\_\_\_\_

City: \_\_\_\_\_ State: \_\_\_\_\_ Zip: \_\_\_\_\_

E-mail Address: \_\_\_\_\_

Federal Tax ID or Social Security No.: \_\_\_\_\_

**Signature:** \_\_\_\_\_

Signature must be legible, original (not photocopied) and in ink.  
Unsigned bids will be rejected.

Item No.	Description	Quantity	Unit	Unit Price	Amount
----------	-------------	----------	------	------------	--------

Contract for furnishing to the Arkansas State Highway and Transportation Department, District Four at Fort Smith, requirements of **Guard Rail Maintenance** at pricing set forth on the attached Bid Form and in accordance with attached Specifications. Contract shall be for a 1 year period from July 1, 2016 thru June 30, 2017 or to a maximum amount of \$100,000.00, whichever comes first, with the option to renew upon mutual agreement by both parties.

Bids will be evaluated on the lowest extended price based on approximate previous year's usage by item. Quantities are provided for reference only and will be used for estimated usage in determining lowest overall bidder. The Department is not obligated to purchase any specific quantity or make purchases at any specific time.

**ALL OR NONE BIDS ONLY WILL BE CONSIDERED.**

The Bid Invitation, Bid Form and Specifications are parts of the contract and by this reference are incorporated herein as fully and effectively as if set forth in detail herein.

It shall be understood that by submission of bid that bidder agrees to the conditions herein specified and, if bid is found acceptable by the Department either in whole or in part, shall consider this bid a contract agreement bound under these conditions. The parties hereto agree that this contract in all things shall be governed by the Laws of the State of Arkansas.

**Bid Bond** in the amount of \$500.00 required of all bidders at time of bid opening or bid will be rejected. **Personal and company checks are not acceptable as Bid Bonds.** See Condition 3 on page 2 of this Bid Invitation.

**Performance Bond** in the amount of \$5000.00 will be required of successful bidder prior to providing goods/services. **Personal and company checks are not acceptable as Performance Bonds.** See Condition 3 on page 2 of this Bid Invitation.

**TWO SIGNED COPIES OF BID INVITATION AND BID FORM MUST BE SUBMITTED.**

Bids and Specifications are available on-line by going to the AHTD Web Site – www.arkansashighways.com and clicking on “Commodities and Services Bids/Contracts Information”. Tabulations will also be available at this site after award of bid/contract. If you have any questions, call this office at 501-569-2667.

## STANDARD BID CONDITIONS

H-17-206P

1. **ACCEPTANCE AND REJECTION:** The Arkansas State Highway and Transportation Department (AHTD) reserves the right to reject any or all bids, to accept bids in whole or in part (unless otherwise indicated by bidder), to waive any informalities in bids received, to accept bids on materials or equipment with variations from specifications where efficiency of operation will not be impaired, and to award bids to best serve the interest of the State.
2. **PRICES:** Unless otherwise stated in the Bid Invitation, the following will apply: (1) unit prices shall be bid, (2) prices should be stated in units of quantity specified (feet, each, lbs., etc.), (3) prices must be F.O.B. destination specified in bid, (4) prices must be firm and not subject to escalation, (5) bid must be firm for acceptance for 30 days from bid opening date. In case of errors in extension, unit prices shall govern. Discounts from bid price will not be considered in making awards.
3. **BID BONDS AND PERFORMANCE BONDS:** If required, a **Bid Bond** in the form of a cashier's check, certified check, or surety bond issued by a surety company, in an amount stated in the Bid Invitation, must accompany bid. **Personal and company checks are not acceptable as Bid Bonds.** Failure to submit a Bid Bond as required will cause a bid to be rejected. The Bid Bond will be forfeited as liquidated damages if the successful bidder fails to provide a required Performance Bond within the period stipulated by AHTD or fails to honor their bid. When a bidder claims and can show clear and convincing evidence that a material mistake was made in the bid and was not the bid intended, the bidder may be permitted to withdraw their bid prior to award without forfeiture of bid bond. Cashier's checks and certified checks submitted as Bid Bonds will be returned to unsuccessful bidders; surety bonds will be retained. The successful bidder will be required to furnish a **Performance Bond** in an amount stated in the Bid Invitation and in the form of a cashier's check, certified check, or surety bond issued by a surety company, unless otherwise stated in the Bid Invitation, as a guarantee of delivery of goods/services in accordance with the specifications and within the time established in the bid. **Personal and company checks are not acceptable as Performance Bonds.** In some cases, a cashier's check or certified check submitted as a Bid Bond will be held as the Performance Bond of the successful bidder. Cashier's checks or certified checks submitted as Performance Bonds will be refunded shortly after payment has been made to the successful bidder for completion of all terms of the bid; surety bonds will be retained. Surety bonds must be issued by a surety company authorized to do business in Arkansas, and must be signed by a Resident Local Agent licensed by the Arkansas State Insurance Commissioner to represent that surety company. Resident Agent's Power-of-Attorney must accompany the surety bond. Certain bids involving labor will require Performance Bonds in the form of surety bonds only (no checks of any kind allowed). These bonds shall not only serve to guarantee the completion of the work, but also to guarantee the excellence of both workmanship and material until the work is finally accepted and the provisions of the Plans, Specifications, and Special Provisions fulfilled. In such cases, the company issuing the surety bond must comply with all stipulations herein and must be named in the U. S. Treasury listing of companies holding Certificates of Authority as acceptable sureties on Federal Bonds and as acceptable reinsuring companies. Any excess between the face amount of the bond and the underwriting limitation of the bonding company shall be protected by reinsurance provided by an acceptable reinsuring company. Annual Bid and Performance Bonds on file with E & P Division must have sufficient unencumbered funds to meet current bonding requirements, or the bid will be rejected, unless the balance is submitted as set forth above, prior to bid opening.
4. **TAXES:** The AHTD is not exempt from Arkansas State Sales and Use Taxes, or local option city/county sales taxes, when applicable, and bidders are responsible to the State Revenue Department for such taxes. These taxes should not be included in bid prices, but where required by law, will be paid by the AHTD as an addition thereto, and should be added to the billing to the AHTD. The AHTD is exempt from Federal Excise Taxes on all commodities except motor fuels; and excise taxes should not be included in bid prices except for motor fuels. Where applicable, tax exemption certificates will be furnished by the AHTD.
5. **"ALL OR NONE" BIDS:** Bidders who wish to bid "All or None" on two or more items shall so stipulate on the face of bid sheet; otherwise, bid may be awarded on an individual item basis.
6. **SPECIFICATIONS:** Complete specifications should be attached for any substitution or alternate offered, or where amplification is necessary. Bidder's name must be placed on all attachments to the bid.
7. **EXCEPTIONS TO SPECIFICATIONS:** Any exceptions to the bid specifications must be stated in the bid. Any exceptions to manufacturer's published literature must be stated in the bid, or it will be assumed that bidder is bidding exactly as stated in the literature.
8. **BRAND NAME REFERENCES:** All brand name references in bid specifications refer to that commodity or its equivalent, unless otherwise stated in Bid Invitation. Bidder should state brand or trade name of item being bid, if such name exists.
9. **FREIGHT:** All freight charges should be included in bid price. Any change in common carrier rates authorized by the Interstate Commerce Commission will be adjusted if such change occurs after the bid opening date. Receipted common carrier bills that reflect ICC authorized rate changes must be furnished.
10. **SAMPLES, LITERATURE, DEMONSTRATIONS:** Samples and technical literature must be provided free of any charge within 14 days of AHTD request, and free demonstrations within 30 days, unless AHTD extends time. Failure to provide as requested within this period may cause bid to be rejected. Samples, literature and demonstrations must be substantially the same as the item(s) being bid, unless otherwise agreed to by AHTD. Samples that are not destroyed will be returned upon request at bidders expense. Samples from successful bidders may be retained for comparison with items actually furnished.
11. **GUARANTY:** Unless otherwise indicated in Bid Invitation, it is understood and agreed that any item offered or shipped on this bid shall be newly manufactured, latest model and design, and in first class condition; and that all containers shall be new, suitable for storage or shipment and in compliance with all applicable laws relating to construction, packaging, labeling and registration.
12. **BACKORDERS OR DELAY IN DELIVERY:** Backorders or failure to deliver within the time required may constitute default. Vendor must give written notice to the AHTD, as soon as possible, of the reason for any delay and the expected delivery date. The AHTD has the right to extend delivery if reasons appear valid. If reason or delivery date is not acceptable, vendor is in default.
13. **DEFAULT:** All commodities furnished will be subject to inspection and acceptance by AHTD after delivery. Default in promised delivery or failure to meet specifications authorizes the AHTD to cancel award or any portion of same, to reasonably purchase commodities or services elsewhere and to charge full increase, if any, in cost and handling to defaulting vendor. Applicable bonds may be forfeited.
14. **ETHICS:** *"It shall be a breach of ethical standards for a person to be retained, or to retain a person, to solicit or secure a State contract upon an agreement of understanding for a commission, percentage, brokerage, or contingent fee, except for retention of bona fide employees or bona fide established commercial selling agencies maintained by the contractor for the purpose of securing business."* (Arkansas Code, Annotated, Section 19-11-708)..

**ARKANSAS STATE HIGHWAY  
AND TRANSPORTATION DEPARTMENT**

**NOTICE OF NONDISCRIMINATION**

The Arkansas State Highway and Transportation (Department) complies with the Americans with Disabilities Act of 1990, Section 504 of the Rehabilitation Act of 1973, Title VI of the Civil Rights Act of 1964 and other federal equal opportunity laws and therefore does not discriminate on the basis of race, sex, color, age, national origin, religion or disability, in admission or access to and treatment in Department programs and activities, as well as the Department's hiring or employment practices. Complaints of alleged discrimination and inquiries regarding the Department's nondiscrimination policies may be directed to Joanna P. McFadden, Section Head - EEO/DBE (ADA/504/Title VI Coordinator), P. O. Box 2261, Little Rock, AR 72203, (501) 569-2298, (Voice/TTY 711), or the following email address: [Joanna.Mcfadden@ahtd.ar.gov](mailto:Joanna.Mcfadden@ahtd.ar.gov).

Free language assistance for Limited English Proficient individuals is available upon request.

This notice is available from the ADA/504/Title VI Coordinator in large print, on audiotape and in Braille.

ARKANSAS STATE HIGHWAY AND TRANSPORTATION DEPARTMENT  
 CONTRACT FOR GUARD RAIL MAINTENANCE  
BID FORM

CONTRACT NO. H-17-206P

BIDDER \_\_\_\_\_

Prices bid herein are subject to discount of \_\_\_\_\_% for payment of invoices within \_\_\_\_\_ days.

Item No.	Description	Approx. Usage	Unit	Unit Price	Extended Amount
1.	Guardrail (Section 1)	525	L.F.		
*2.	Install Furnished Guardrail (Section 1)	375	L.F.		
3.	Guardrail (Section 2)	587	L.F.		
*4.	Install Furnished Guardrail (Section 2)	200	L.F.		
5.	Guardrail (Section 3)	100	L.F.		
6.	Guardrail (Section 4)	75	L.F.		
*7.	Install Furnished Guardrail (Section 4)	75	L.F.		
8.	Guardrail Back-up Plate	104	EA.		
9.	Install Furnished Guardrail Back-up Plate	126	EA.		
10.	Guardrail Line Posts (Steel)	131	EA.		
*11.	Install Furnished Guardrail Line Posts (Steel)	50	EA.		
*12.	Install Furnished Guardrail Line Posts (concrete)	6	EA.		
13.	Guardrail Line Posts (Wood)	1	EA.		
*14.	Install Furnished Guardrail Line Posts (Wood)	2	EA.		
15.	Guardrail Spacer Blocks (Steel)	130	EA.		

\*To be furnished by Arkansas State Highway and Transportation Department.

ARKANSAS STATE HIGHWAY AND TRANSPORTATION DEPARTMENT  
 CONTRACT FOR GUARD RAIL MAINTENANCE  
BID FORM

CONTRACT NO. H-17-206P

BIDDER \_\_\_\_\_

Item No.	Description	Approx. Usage	Unit	Unit Price	Extended Amount
*16.	Install Furnished Guardrail Spacer Blocks (Steel)	50	EA.		
*17.	Install Furnished Guardrail Spacer Blocks (Concrete)	2	EA.		
18.	Guardrail Spacer Blocks (Wood)	20	EA.		
*19.	Install Furnished Guardrail Spacer Blocks (Wood)	30	EA.		
20.	Terminal Anchor Posts (Type A)	1	EA.		
21.	Terminal Anchor Posts (Type B)	1	EA.		
22.	Special End Shoe	1	EA.		
*23.	Install Furnished Special End Shoe	3	EA.		
24.	Removal & Disposal of Guardrail (Type A)	1387	L.F.		
25.	Removal & Disposal of Guardrail (Type B)	1	L.F.		
26.	Furnish and Install Guardrail System (Type A)	1325	L.F.		
27.	Furnish and Install Guardrail System (Type B)	1	L.F.		
28.	Guardrail Terminal Section	1	EA.		
29.	Furnish & Install Bridge Connection – Curb	1	EA.		
30.	Furnish & Install Bridge Connection – Parapet Wall	1	EA.		

\*To be furnished by Arkansas State Highway and Transportation Department.

ARKANSAS STATE HIGHWAY AND TRANSPORTATION DEPARTMENT  
 CONTRACT FOR GUARD RAIL MAINTENANCE  
BID FORM

CONTRACT NO. H-17-206P

BIDDER \_\_\_\_\_

Item No.	Description	Approx. Usage	Unit	Unit Price	Extended Amount
31.	Straighten and Align existing Guardrail Posts	1	EA.		
32.	Guard Rail Terminal (Type 2), Guard Rail (12 ga.)	2	EA.		
*33.	Install Furnished Guard Rail Terminal (Type 2) Guard Rail (12 ga.)	2	EA.		
34.	Steel Tube (6"x8"x54"x3/16")	1	EA.		
*35.	Install Furnished Steel Tube (6"x8"x54"x3/16")	2	EA.		
36.	Soil Plate (18"x24"x1/4")	1	EA.		
*37.	Install Furnished Soil Plate (18"x24"x1/4")	8	EA.		
38.	Guard Rail Terminal (Type 2), Wood Posts (5-1/2"x7-1/2"x45")	4	EA.		
*39.	Install Furnished Guard Rail Terminal (Type 2) Wood Posts (5-1/2"x7-1/2"x45")	2	EA.		
40.	Guard Rail Terminal (Type 2), Wood Posts (6"x8"x6'0")	5	EA.		
41.	Guard Rail Terminal (Type 2), Wood Posts (5-1/2"x7-1/2"x14")	1	EA.		
*42.	Install Furnished Guard Rail Terminal (Type 2), Wood Posts (5-1/2"x7-1/2"x14")	2	EA.		
43.	Pipe Sleeve (2" Std. Pipe x 5-1/2")	1	EA.		
*44.	Install Furnished Pipe Sleeve (2" Std. Pipe x 5-1/2")	3	EA.		

\*To be furnished by Arkansas State Highway and Transportation Department.

ARKANSAS STATE HIGHWAY AND TRANSPORTATION DEPARTMENT  
 CONTRACT FOR GUARD RAIL MAINTENANCE  
BID FORM

CONTRACT NO. H-17-206P

BIDDER \_\_\_\_\_

Item No.	Description	Approx. Usage	Unit	Unit Price	Extended Amount
45.	Bearing Plate (8"x8"x5/8")	1	EA.		
46.	Cable Anchor Bracket	1	EA.		
*47.	Install Furnished Cable Anchor Bracket	2	EA.		
48.	Cable Assembly	1	EA.		
*49.	Install Furnished Cable Assembly	1	EA.		
50.	Offset Strut	1	EA.		
*51.	Install Furnished Offset Strut	7	EA.		
52.	Guard Rail Extruder	1	EA.		
*53.	Install Furnished Guard Rail Extruder	3	EA.		
54.	Furnish and Install Terminal System (Type 2)	1	EA.		
55.	Guard Rail (Thrie Section)	1	EA.		
*56.	Install Furnished Guard Rail (Thrie Section)	5	EA.		
57.	Guard Rail (Thrie Transition Section)	1	EA.		
*58.	Install Furnished Guard Rail (Thrie Transition Section)	1	EA.		
59.	Guard Rail Connector Plate (Thrie Beam)	1	EA.		
60.	Guard Rail Spacer Blocks (Plastic)	10	EA.		

\*To be furnished by Arkansas State Highway and Transportation Department.

ARKANSAS STATE HIGHWAY AND TRANSPORTATION DEPARTMENT  
 CONTRACT FOR GUARD RAIL MAINTENANCE  
BID FORM

CONTRACT NO. H-17-206P

BIDDER \_\_\_\_\_

Item No.	Description	Approx. Usage	Unit	Unit Price	Extended Amount
*61.	Install Furnished Guard Rail Spacer Blocks (Plastic)	63	EA.		
62.	Guard Rail Spacer Blocks (Steel Tube)	1	EA.		
63.	Furnish and Install Thrie Beam Guard Rail Terminal	1	EA.		
64.	Metal Hinged Breakaway Post	1	EA.		
<b>BID TOTAL:</b>					

\*To be furnished by Arkansas State Highway and Transportation Department.



ARKANSAS STATE HIGHWAY AND TRANSPORTATION DEPARTMENT  
CONTRACT FOR GUARD RAIL MAINTENANCE

CONTRACT NO. H-17-206P

1. Cooperative Purchasing. Other tax-supported entities\* in Arkansas (cities, counties, state agencies, school districts, etc.) may purchase commodities covered in this Contract on an individual basis under the same specifications and conditions, and at the pricing set forth by each vendor, all at the discretion of each vendor in each case. Prices could be reduced by a vendor for minor alterations in conditions (changing minimum order quantities, etc.) as agreed by both parties, but could not be raised above the contract bid price under any circumstances. Vendors would not be required to sell to any such entity under this Contract, and those entities would not be obligated to purchase from the Contract.

Each entity wishing to purchase from the Contract would make contact directly with the appropriate vendor(s). The Highway Department would remain “out of the loop” for such transactions: all contact, orders, invoices, payments, etc. regarding such transactions must take place exclusively between the tax-supported entity and the vendor. The Department would be held harmless of any and all liability arising from such transactions.

\*Tax-supported entities are defined as those receiving more than half of total funding from appropriated tax funds.

SPECIAL PROVISION

GUARD RAIL MAINTENANCE

**DESCRIPTION:**

This work shall consist of:

1. Removing and disposing of existing sub-standard installations or those installations which have been damaged beyond repair.
2. Installation of new guard rail systems with materials furnished by the Contractor or the Department as appropriate and constructed to current standards.

This work shall be limited to District Four (Crawford, Franklin, Logan, Polk, Scott, Sebastian & Washington Counties). Locations within the District shall be selected by the District Engineer.

The Contract shall be limited to a one year period following the award of the Contract.

The Department reserves the right to cancel the Contract before the one year time limit.

The Department reserves the right to also perform guard rail repair as necessary within the areas covered by this Contract.

The Contractor shall assume full liability for traffic hazards that might be created by his operation and save harmless the Arkansas State Highway and Transportation Commission in all respects.

**MATERIALS:**

All materials furnished by the Contractor shall meet the requirements of the Arkansas State Highway and Transportation Department Standard Specifications for Highway Construction, Edition of 2014, all applicable Special Provisions and Supplemental Specifications and Current Standard Drawings GR-7, GR-8, GR-8A, GR-9, GR-10, GR-10A, GR-11, GRT-1 and MNTNC-1.

Department furnished materials will be available at the District Four Headquarters at Fort Smith during normal working hours. Miscellaneous hardware items such as nuts, bolts, washers, etc. necessary to reset Department furnished items shall be supplied by the Contractor and shall comply with all applicable specification requirements and be approved by Materials and Research Division. Only the exact amount of materials necessary for the installation will be furnished. Any material damaged by the Contractor will be replaced at no cost to the State.

Any guard rail elements removed from an installation which the District Engineer determines to be salvageable shall become the property of the Department and shall be delivered to the District Four Headquarters during normal working hours. Non-Salvageable materials shall be disposed of by the Contractor.

**EQUIPMENT:**

All equipment necessary for the satisfactory performance of this work shall be on hand before work begins.

**PROCEDURE:**

The Contractor will be required to begin work within ten (10) calendar days of notification from the District Engineer that work is required and will be notified in writing each time it is necessary to perform work. A list will be enclosed with the notification which includes Department furnished materials, Contractor furnished materials, and the location and length of each installation. This list will be an estimate only and may be adjusted once work begins. The Contractor shall provide the District Maintenance Engineer with their schedule for repairs at the various locations. This notification shall include anticipated traffic control. No lane closures will be allowed in the mornings between 6 a.m. and 9 a.m. and in the afternoons between 3 p.m. and 6 p.m. without the consent of the District Engineer. When the Contractor completes all of the specified work at a location, he shall notify the District Maintenance Engineer and an inspection will be made. Upon acceptance of the work and materials by the Department, a list of completed pay items will be furnished by the Contractor and the specified work will be considered complete.

Replacement, assembly and or installation of guard rail elements shall conform to Arkansas State Highway and Transportation Department Standard Specifications for Highway Construction, Edition of 2014, all applicable Special Provisions and Supplemental Specifications and Current Standard Drawings GR-7, GR-8, GR-8A, GR-9, GR-10, GR-10A, GR-11, GRT-1 and MNTNC-1. The alignment and location of replaced guard rail elements shall conform to and match the portion of any installation which is undamaged and is to remain in place.

When the Engineer determines that an entire guard rail installation is damaged beyond repair or needs to be upgraded to current standards, the Contractor will be instructed to remove and dispose of the installation and to construct a new installation with materials supplied by the Contractor. In such instances, all materials, work, measurement and payment will be in accordance with Arkansas State Highway and Transportation Department Standard Specifications for Highway Construction, Edition of 2014, all applicable Special Provisions and Supplemental Specifications and Current Standard Drawings numbered GR-7, GR-8, GR-8A, GR-9, GR-10, GR-10A GR-11 GRT-1 and MNTNC-1. Post holes created by the removal of concrete or wood posts shall be backfilled and thoroughly compacted using suitable material before driving the new steel posts. When possible the spacing of the steel posts shall be staggered between the vacated post holes. In such instances the backfilling may then be accomplished either before or after the steel posts are driven.

**METHOD OF MEASUREMENT AND BASIS OF PAYMENT:**

Mobilization will not be measured and paid for directly but will be considered included in the prices bid for the various items of the Contract.

The cost of traffic control through the work zones will not be measured and paid for directly but will be considered included in the prices bid for the various items of the Contract.

Replaced steel guard rail sections, installed and accepted, will be measured by the linear foot, complete in place, and paid for at the Contract unit price bid. As indicated on the Standard Drawings Sections 1 and 2 are end sections and will each be considered as 25 feet in length. Intermediate Section 3 shall be measured along the roadway face from centerline of post to centerline of post. NOTE: The item, Guard Rail Section 1, as shown on Standard Drawing GR-8A, is required to be a double section. Each Section 1 of the double rail will be paid as 50 L.F. of guard rail plate. For the items, Guard Rail Sections 2, 3 and 4, each installation will be paid for as a 25 L.F. section of guard rail plate. This note applies only when individual parts or pieces of a guard rail installation are being replaced and does not apply to the items "Furnish and Install Guard Rail (Type \_\_\_\_\_).

Replaced guard rail line posts, spacer blocks, back-up plates, terminal sections and terminal anchor posts (Type A & B), installed and accepted, will be measured by the unit and paid for at the Contract unit price bid.

Furnishing and placing anchor bolts, splicing hardware, and/or attachment hardware will not be measured and paid for directly but will be considered included in the prices bid for the various items of the Contract.

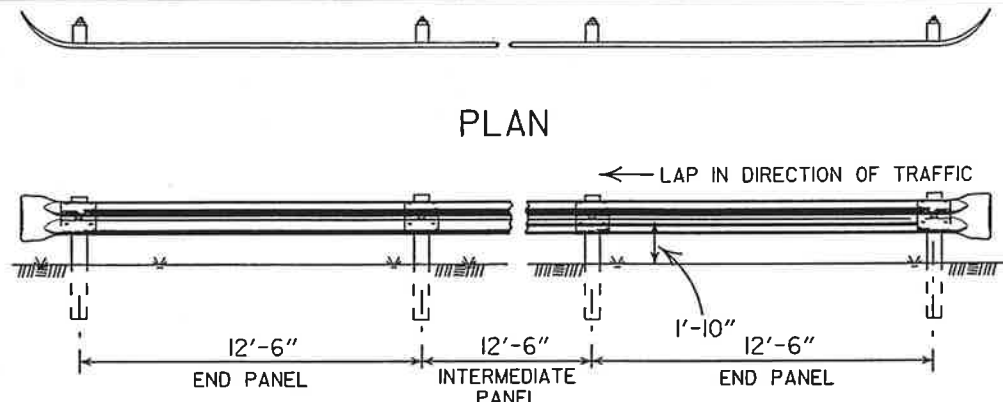
No measurement and payment will be made for necessary excavation and/or backfilling performed in connection with replacing damaged elements of guard rail.

Removal and disposal of guard rail will be measured as provided in the Arkansas State Highway and Transportation Department Standard Specifications for Highway Construction, Edition of 2014, all applicable Special Provisions and Standard Drawings GR-7, GR-8, GR-8A, GR-9, GR-10, GR-10A, GR-11, GRT-1, MNTNC-1 and paid for at the contract unit price bid. Removal and disposal of posts, spacer blocks, and miscellaneous hardware will not be measured and paid for directly but will be considered included in the price bid for the various items of the contract.

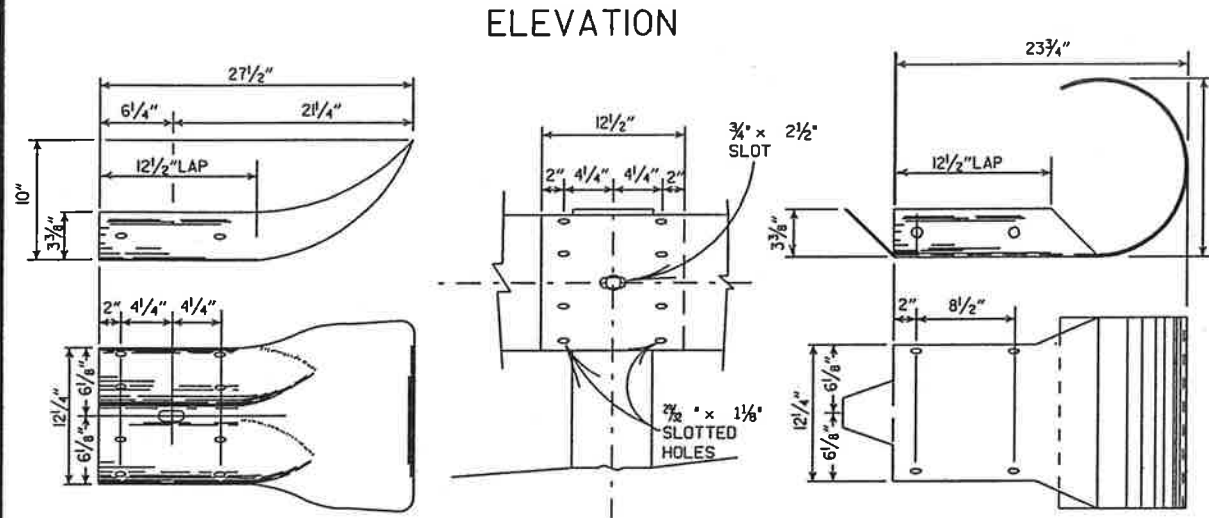
Work completed at each designated location shall be paid for upon acceptance of the work. Payment shall be based upon the list of completed pay items furnished by the Contractor to the Department and the Contract unit price for those items.

**TRAFFIC CONTROL THROUGH WORK ZONE:**

The Contractor shall sign and mark all work zones and lane closures in accordance with the Manual on Uniform Traffic Control Devices and Current Standard Drawings TC-1, TC-2, TC-3, TC-4 and TC-5. All signing materials shall be High Intensity. The Contractor shall conduct repair operations in such a manner that all feasible traffic lanes will be open to traffic. Lane closures may be established as needed to perform the work, except that during period of adverse weather or peak high traffic, lane closures will be permitted only if approved by the Engineer.



PLAN

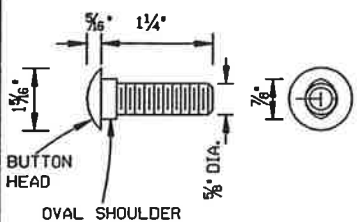


ELEVATION

TERMINAL SECTION

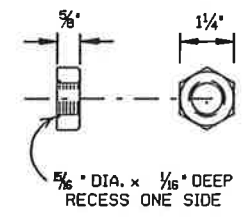
RAIL SPLICE

TERMINAL SECTION

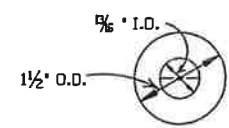


SPLICE BOLT

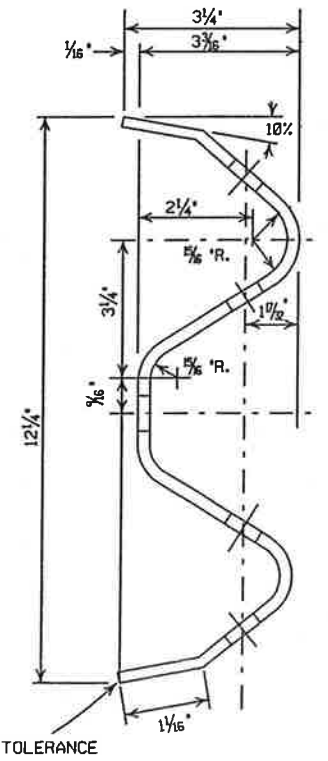
POST BOLT SAME EXCEPT LENGTH.



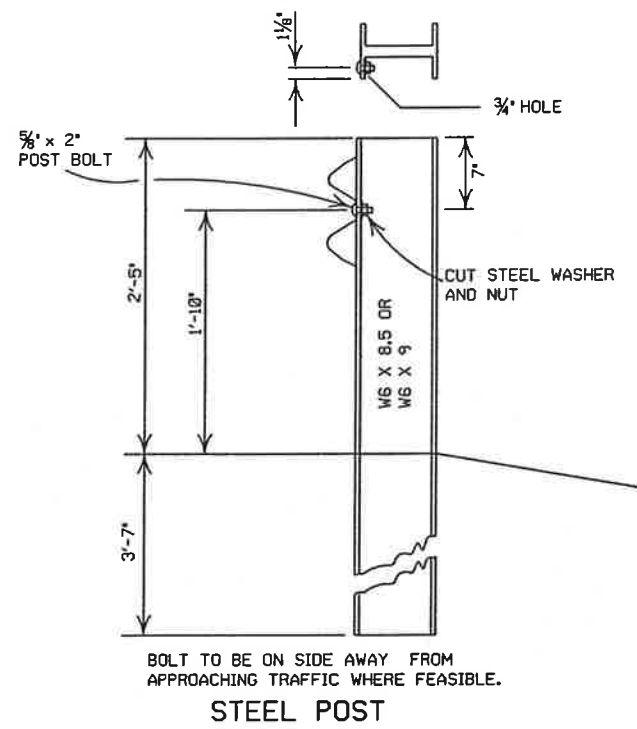
NUT



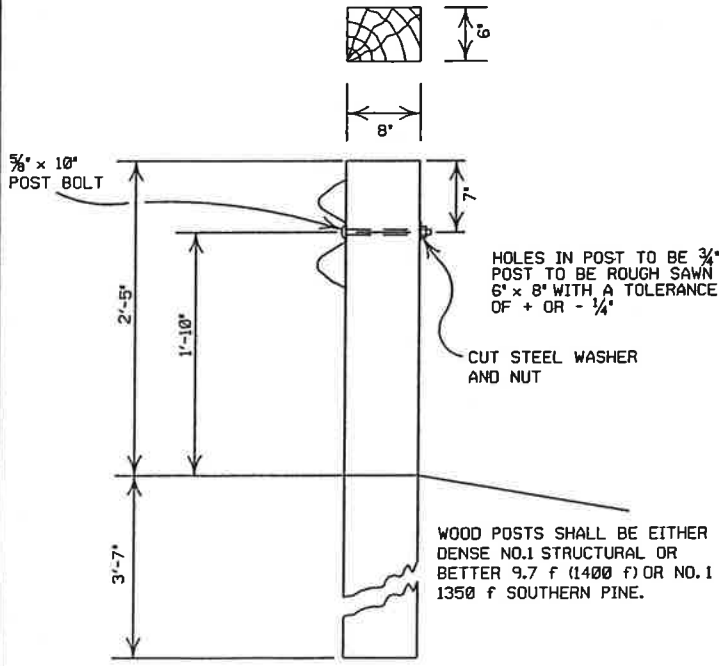
CUT STEEL WASHER



SECTION THRU RAIL



STEEL POST



WOOD POST

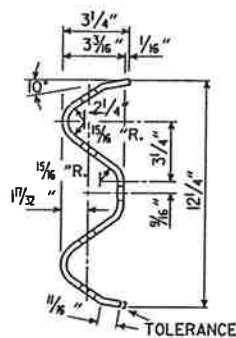
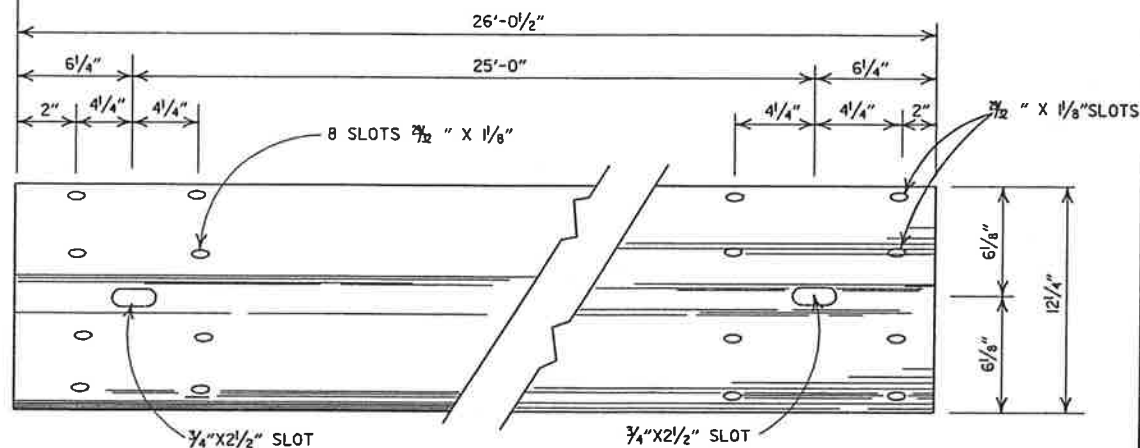
DETAILS OF POST CONNECTIONS

7-14-10	RAISED HEIGHT OF GUARD RAIL 1"	
8-22-02	REVISED DIMENSION ON STEEL POST	
11-16-01	REVISED STEEL AND WOOD POST	
8-12-98	REMOVED CONCRETE POST	
10-18-96	CHANGED WOOD POST NOTE	10-18-96
6-2-94	ADDED ALTERNATE STEEL POST SIZE	
8-5-93	REVISED STEEL POSTS SIZE	8-5-93
8-15-91	DELETE STEEL PLATE WASHER & ADDED TYPE C TO TITLE	8-15-91
10-30-87	REMOVED DET. PLCMNT. ON HWY.	555-11-20-87
1-4-83	GRADE FOR WOOD POSTS	679-1-4-83
10-1-77	HARDENED WASHER	922-10-1-72
10-2-72	REVISED & REDRAWN	521-10-2-72
DATE	REVISION	DATE FILM

ARKANSAS STATE HIGHWAY COMMISSION

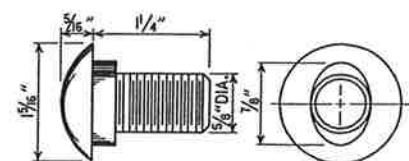
GUARD RAIL DETAILS  
(TYPE C)  
STREET / ROAD BARRICADE OR  
TEMPORARY INSTALLATION

STANDARD DRAWING GR-7

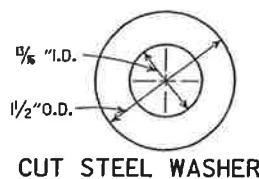


**DETAILS OF W-BEAM GUARD RAIL**

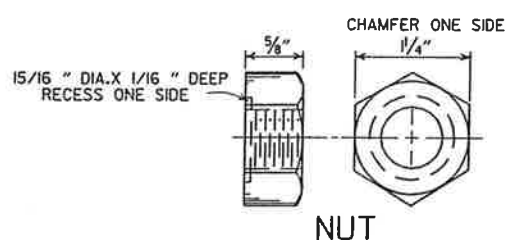
RAIL SECTION OF CLOSELY SIMILAR DIMENSIONS AND COMPARABLE STRENGTH MAY BE SUBSTITUTED IF APPROVED BY THE ENGINEER.



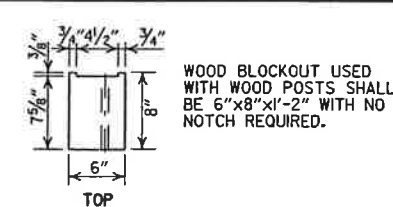
**SPLICE BOLT  
POST BOLT - SAME EXCEPT LENGTH**



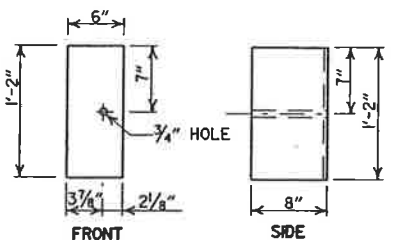
CUT STEEL WASHER



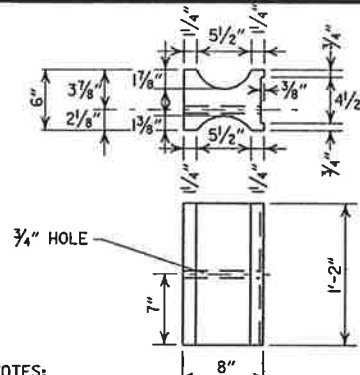
NUT



WOOD BLOCKOUT USED WITH WOOD POSTS SHALL BE 6" X 8" X 1'-2" WITH NO NOTCH REQUIRED.



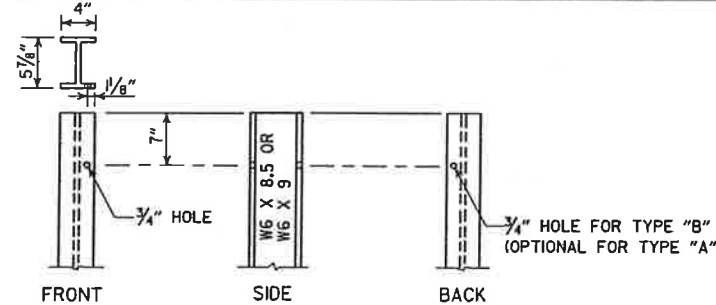
**WOOD BLOCKOUT (W-BEAM)**



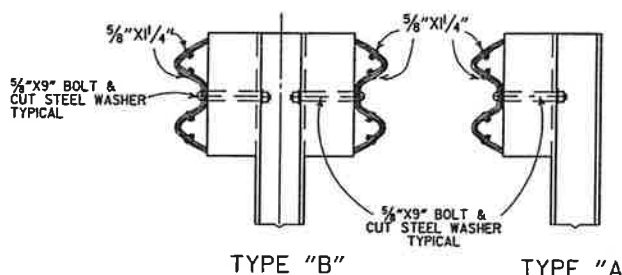
NOTES:

1. SIMILAR SHAPED PLASTIC BLOCKOUTS MAY BE USED AS LONG AS THEY MEET NCHRP-350 TEST LEVEL 3 SPECIFICATIONS OR REQUIREMENTS FOR MANUAL FOR ASSESSING SAFETY HARDWARE (MASH).
2. DIMENSIONS ARE SUBJECT TO MANUFACTURERS TOLERANCES.

**PLASTIC BLOCKOUT (W-BEAM)**



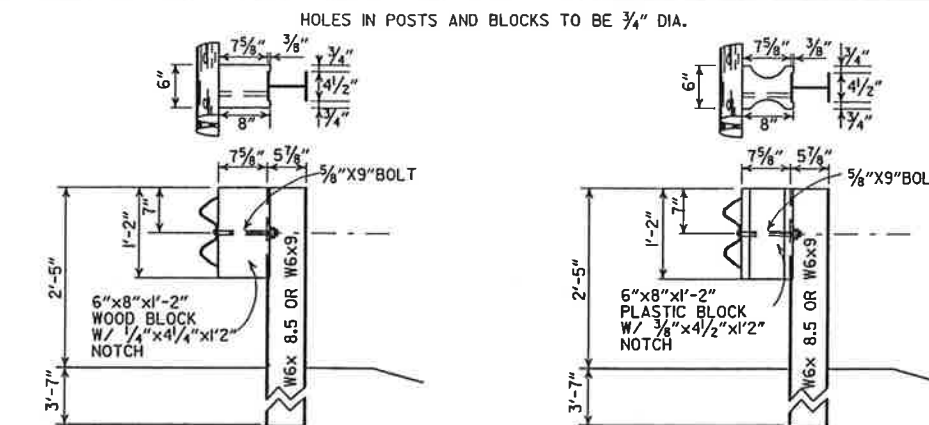
**STEEL POST**



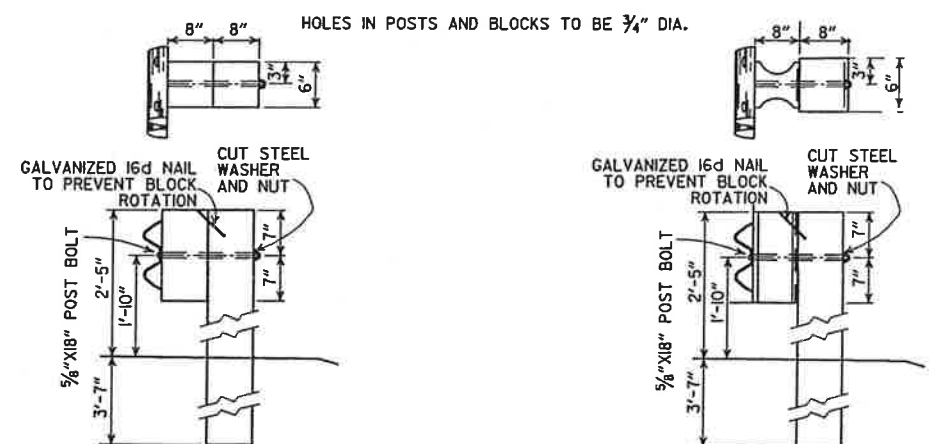
**DETAILS OF STEEL LINE POST CONNECTIONS (W-BEAM)**

**-GENERAL NOTES-**

- ALL BOLTS SHALL BE SUFFICIENT LENGTH TO EXTEND THROUGH THE FULL THICKNESS OF THE NUT AND NO MORE THAN 1/4" BEYOND IT.
- WHERE W-BEAM GUARD RAIL CONTINUES, THE INTERMEDIATE SECTIONS SHALL HAVE A POST SPACING OF 6'-3" UNLESS OTHERWISE NOTED.
- W-BEAM GUARD RAIL REPRESENTING INTERMEDIATE SECTIONS WILL BE MEASURED ALONG THE ROADWAY FACE FROM CENTERLINE OF POST TO CENTERLINE OF POST.
- USE W-BEAM GUARD RAIL COMPONENTS OF SAME MATERIAL FOR ENTIRE JOB. FOR EXTENSIONS OR MODIFICATION OF EXISTING GUARD RAIL, W-BEAM GUARD RAIL COMPONENTS OF THE SAME TYPE AS THOSE EXISTING SHALL BE USED.
- ANY BACKFILLING UNDER OR AROUND POST SHALL BE DAMP SAND THOROUGHLY TAMPED IN PLACE.
- WOOD POSTS & WOOD BLOCKS SHALL BE EITHER DENSE NO. 1 STRUCTURAL OR BETTER 9.7F (4000 F) OR NO. 1 1350 F SOUTHERN PINE.
- CONTRACTOR SHALL HAVE THE OPTION OF USING WOOD BLOCKOUTS FOR W-BEAM GUARD RAIL OR PLASTIC BLOCKOUTS, AS LONG AS BLOCKOUT USED MEETS NCHRP-350 TEST LEVEL 3 SPECIFICATIONS OR REQUIREMENTS FOR MANUAL FOR ASSESSING SAFETY HARDWARE (MASH) FOR W-BEAM GUARD RAIL.



**DETAILS OF STEEL LINE POST CONNECTIONS (W-BEAM)**



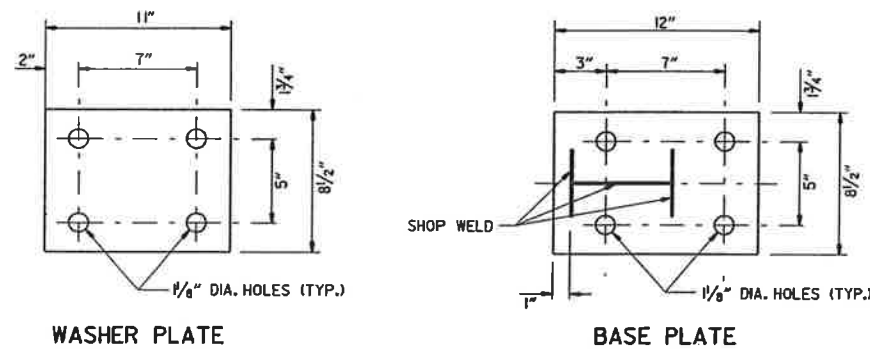
**DETAILS OF WOOD LINE POST CONNECTIONS (W-BEAM)**

7-14-10	RAISED HEIGHT OF GUARD RAIL 1"	
10-15-09	ADDED REFERENCE TO MASH	
4-10-03	REVISED GENERAL NOTES	
8-22-02	REVISED DIMENSION ON WOOD & PLASTIC BLOCKOUT CONNECTIONS & ON STEEL POST	
11-16-01	REVISED WOOD BLOCKOUT & DETAILS OF WOOD LINE POST CONNECTIONS	
3-30-00	REMOVED GUARD RAIL AT BRIDGE ENDS	
1-12-00	ADDED PLASTIC BLOCKOUT	
8-12-98	REV. BLOCKOUTS TO WOOD, DELETED CONC. POST & REV. GENERAL NOTE, DELETED DET. OF GUARD RAIL REPLACE BEHIND CURB & DET. OF POST PLACE IN SOLID ROCK & ADDED DETAILS OF STEEL LINE POST CONN. REMOVED BACK-UP PLATE, REVISED HOLES IN STEEL POLES	
4-3-97	REMOVED "LAP IN DIRECTION OF TRAFFIC" NOTE & PLACED ARROWS ON WASHERS	
10-18-96	REVISED WOOD POST NOTE	
6-2-94	ADDED ALT. STEEL POST SIZE	
8-5-93	REVISED STEEL POST SIZE	8-5-93
10-1-92	REDRAWN & REVISED	10-1-92
8-15-91	REVISED WASHER NOTE	8-15-91
8-2-90	REV. GEN. NOTE & DEPTH OF ANC. POST IN ROCK	8-2-90
7-15-88	REVISED SECTION 3 & GENERAL NOTES	
3-4-88	REV. ANCHOR POST, ELEV. NOTES & POST IN ROCK	780-3-4-88
10-30-87	REVISED WOOD LINE POST DETAIL	546-10-30-87
10-9-87	REDRAWN & REVISED	802-10-9-87
DATE	REVISION	DATE FILM

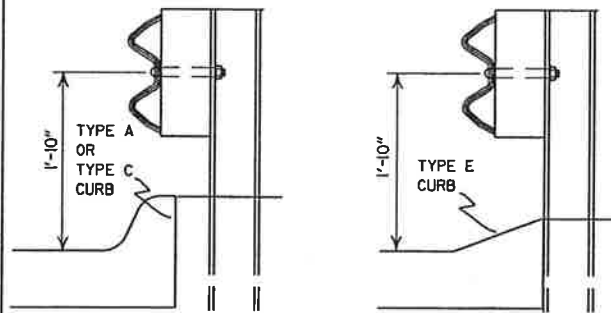
ARKANSAS STATE HIGHWAY COMMISSION

GUARD RAIL DETAILS

STANDARD DRAWING GR-8



Note: Bolts, nuts, washers and plates shall be galvanized in accordance with Section 807 of the Standard Specifications.

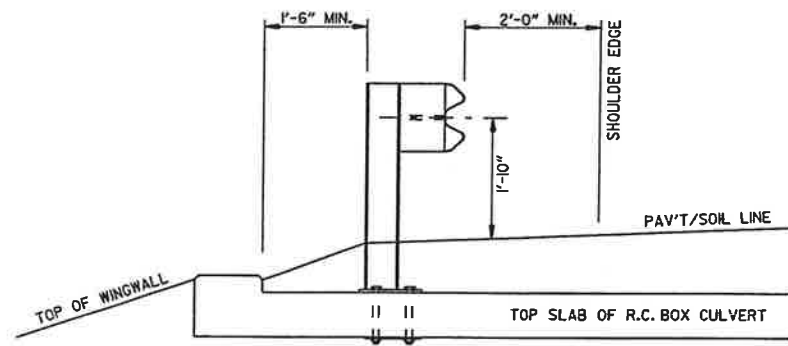


FOR DESIGN SPEEDS OF 50 MPH OR LESS  
ALIGN FACE OF GUARD RAIL WITH FACE OF CURB.

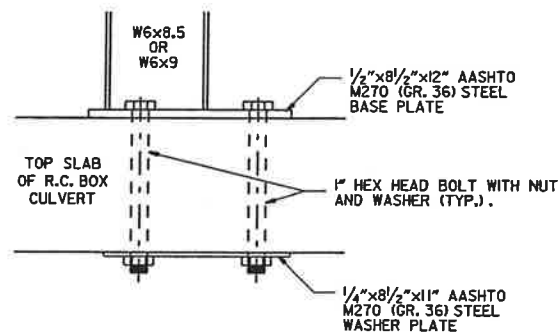
FOR DESIGN SPEEDS OF 55 MPH OR MORE  
PLACE GUARD RAIL POSTS AGAINST BACK OF CURB.

### DETAIL OF GUARD RAIL PLACEMENT BEHIND CURB (W-BEAM)

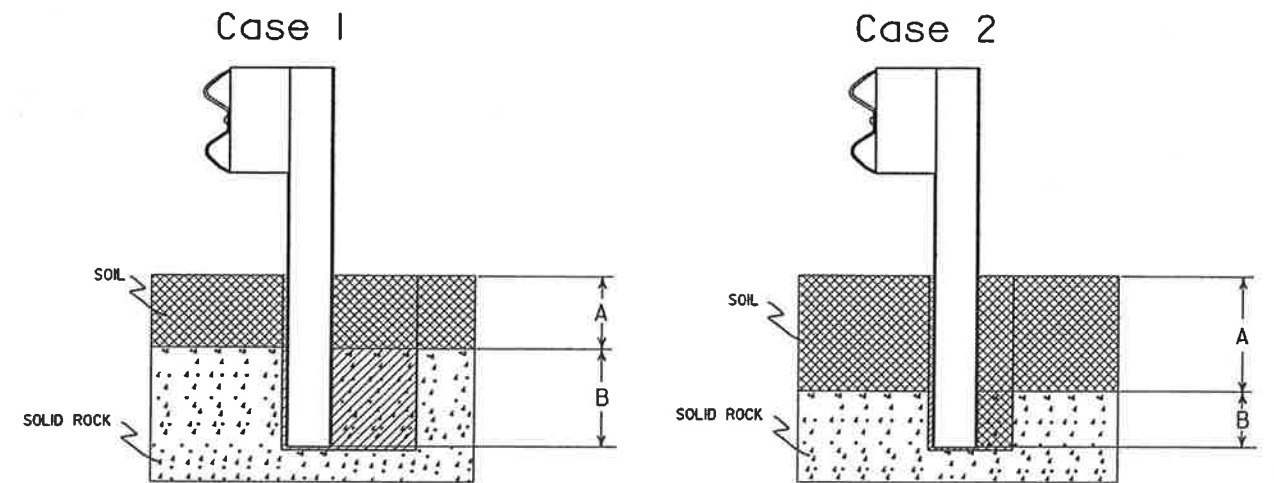
FOR DESIGN SPEEDS OF 50 MPH OR LESS ALL CURB FACES, AS SHOWN ON STD. DRWG. CG-1, MAY BE USED. FOR DESIGN SPEEDS OF 55 MPH OR MORE TYPE "E" CURB FACE SHALL BE USED.



SECTION A-A

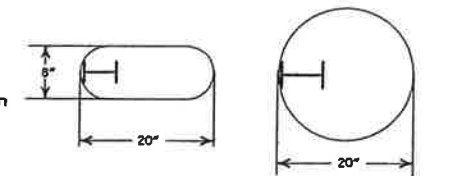


DETAIL OF CONNECTION



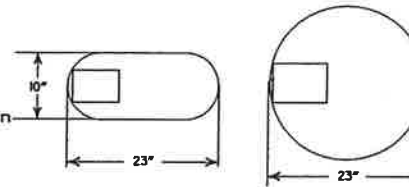
### Plan View Steel Posts

Either hole configuration acceptable



### Plan View Wood Posts

Either hole configuration acceptable



Notes: For overlying soil depths (A) ranging from 0 to 18", the depth of required drilling (B) is equal to 24".

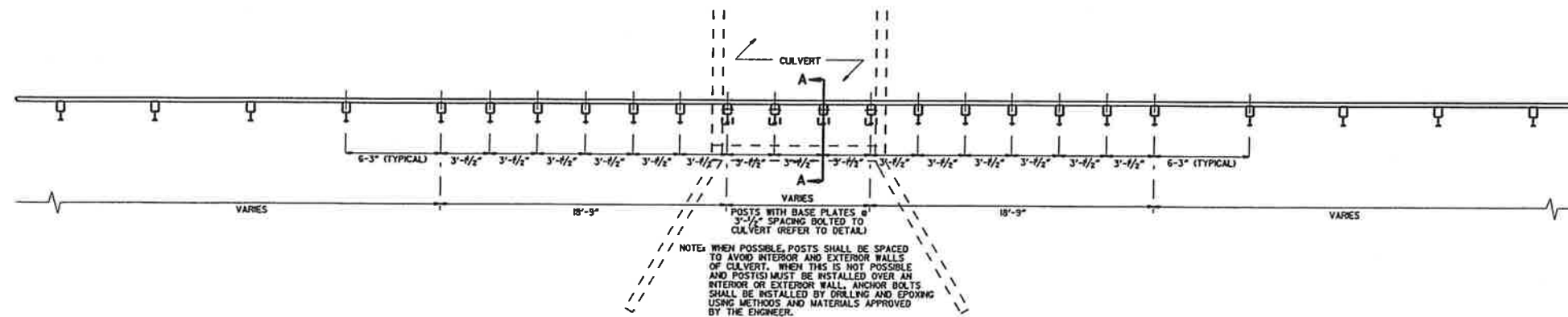
Zone A:  
Backfill according to Section 617.03(a).

Zone B:  
Backfill hole in 6" lifts with material meeting the requirements of Section 802.02(c) - Alternate gradation, Compact to 95% maximum dry density per ASTM D-698.

Notes: For overlying soil depths (A) ranging from 18" to 44", the depth of required drilling (B) is equal to either 12" or 44" minus the depth of soil, whichever is less.

Zone A & B:  
Backfill according to Section 617.03(a).

### DETAIL OF POST PLACEMENT IN SOLID ROCK (W-BEAM)



PLAN LAYOUT OF TYPE A GUARD RAIL AT LOW-FILL CULVERTS

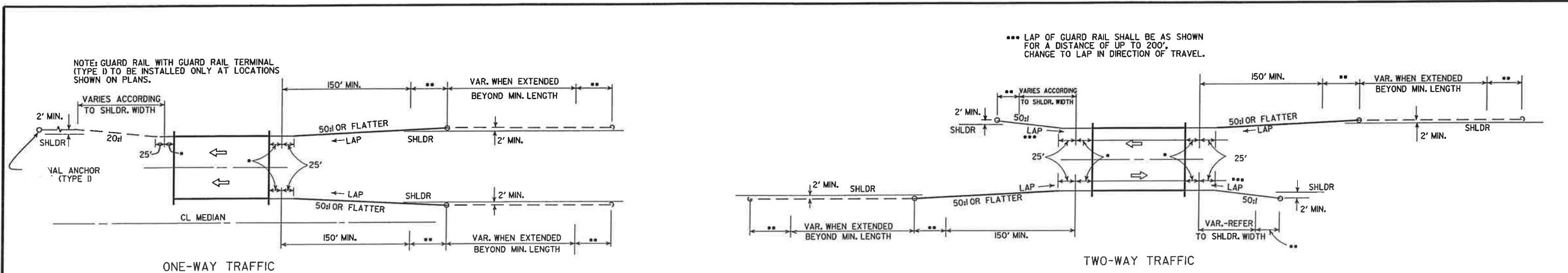
NOTE: THIS DETAIL IS TO BE USED ONLY WHEN THE COVER OVER THE CULVERT DOES NOT PERMIT FULL EMBEDMENT OF GUARD RAIL POSTS AS SHOWN ON STD. DRWG. GR-8.

7-14-10	RAISED HEIGHT OF GUARD RAIL 1"	
4-12-07	REVISED DETAIL OF GUARD RAIL PLACEMENT BEHIND CURB	
1-10-05	ADDED GUARD RAIL PLACEMENT BEHIND CURB; REVISED DETAIL OF CONNECTION	
1-18-04	REVISED POST PLACEMENT IN ROCK & CULVERT CONNECTION DETAILS. ADDED DETAIL FOR GUARD RAIL PLACEMENT AT LOW-FILL CULVERTS	
3-30-00	REMOVED CONCRETE INSERT ANCHOR	
8-12-98	CHANGED STEEL SPACER BLOCK TO WOOD BLOCKOUT, ADD. DET. OF GUARD RAIL CONNECTION TO R.C. BOX CULV'T. DELETED DET. OF STEEL LINE POST CONCL. & ADD. DET. OF GUARD RAIL PLACE. BEHIND CURB & DET. OF POST PLACE. IN SOLID ROCK	
4-3-96	PLACED ARROWS AT CUT STEEL WASHERS	4-3-96
10-18-96	REV. ASTM REF. TO AASHTO	
11-22-95	ADDED OPTIONAL HOLES	
6-2-94	REVISED ALTERNATE POST SIZE	
8-5-93	REVISED STEEL POST SIZE	
10-1-92	REDRAWN & REVISED	10-1-92
8-2-90	DEL. WASHER ON ANCHOR ASSEMBLY CONFORMED TO 1988 SPECS	8-2-90
7-15-88	CONFORMED TO 1988 SPECS	
3-4-88	REVISED ANCHOR NOTE	
10-30-87	REVISED ANCHOR ASSEMBLY	10-30-87
10-30-87	REVISED PLACEMENT BEHIND CURB	547-10-30-87
10-9-87	REDRAWN & REVISED	803-10-9-87
DATE	REVISION	DATE FILM

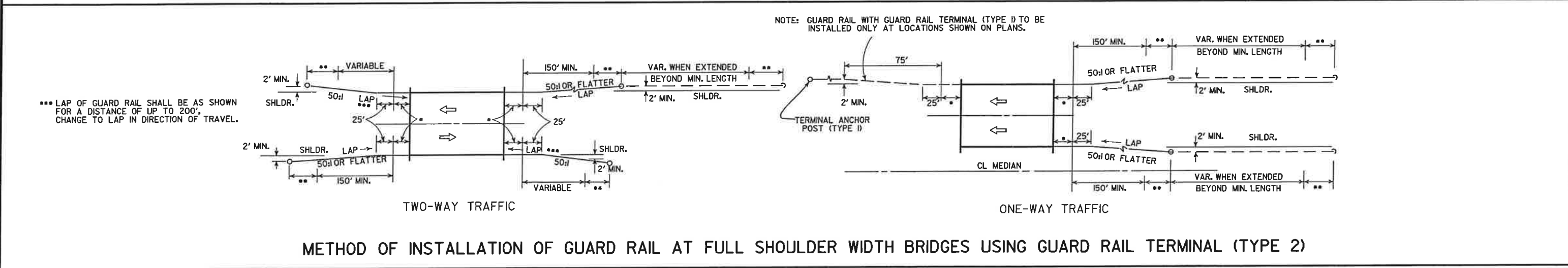
ARKANSAS STATE HIGHWAY COMMISSION

GUARD RAIL DETAILS

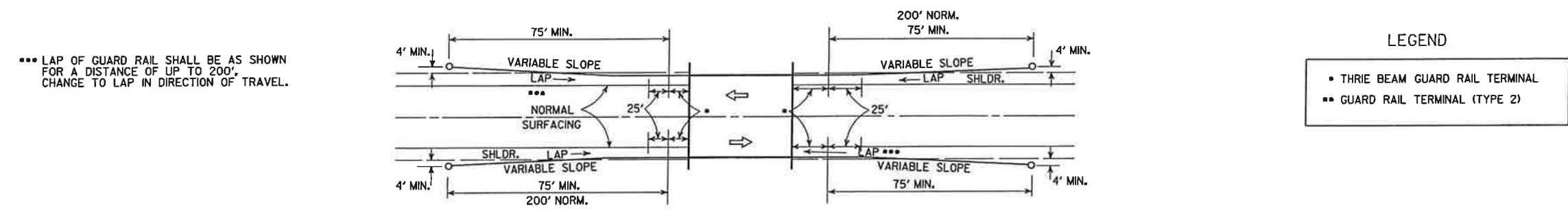
STANDARD DRAWING GR-8A



METHODS OF INSTALLATION OF GUARD RAIL AT LESS THAN FULL SHOULDER WIDTH BRIDGES USING GUARD RAIL TERMINAL (TYPE 2)



METHOD OF INSTALLATION OF GUARD RAIL AT FULL SHOULDER WIDTH BRIDGES USING GUARD RAIL TERMINAL (TYPE 2)



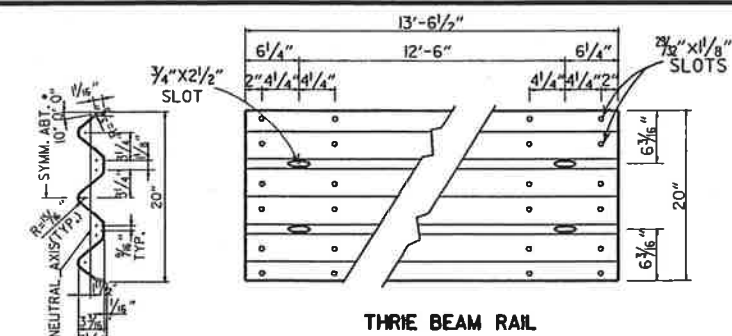
LEGEND

- THIRI BEAM GUARD RAIL TERMINAL
- GUARD RAIL TERMINAL (TYPE 2)

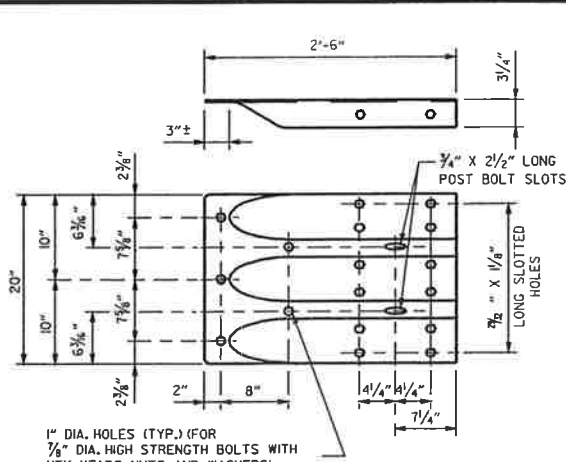
METHOD OF INSTALLATION OF GUARD RAIL USING GUARD RAIL TERMINAL (TYPE 1) (FULL SHOULDER WIDTH OR LESS BRIDGES)

ARKANSAS STATE HIGHWAY COMMISSION		
GUARD RAIL DETAILS		
STANDARD DRAWING GR-9		
4-17-08	REVISED LAYOUTS	
11-10-05	REMOVED GUARD RAIL NOTES AND DETAILS	
11-16-01	DELETED NOTE-METHOD OF INSTALLATION OF GUARD RAIL USING GUARD RAIL TERM. (TY. 1)	
1-12-00	ADDED CONSTRUCTION NOTE	1-12-00
6-26-97	REVISED LAYOUT	
10-1-92	REDRAWN & REVISED	10-1-92
	ADDED NOTE	
10-9-87	REDRAWN & REVISED	
DATE	REVISION	DATE FILM

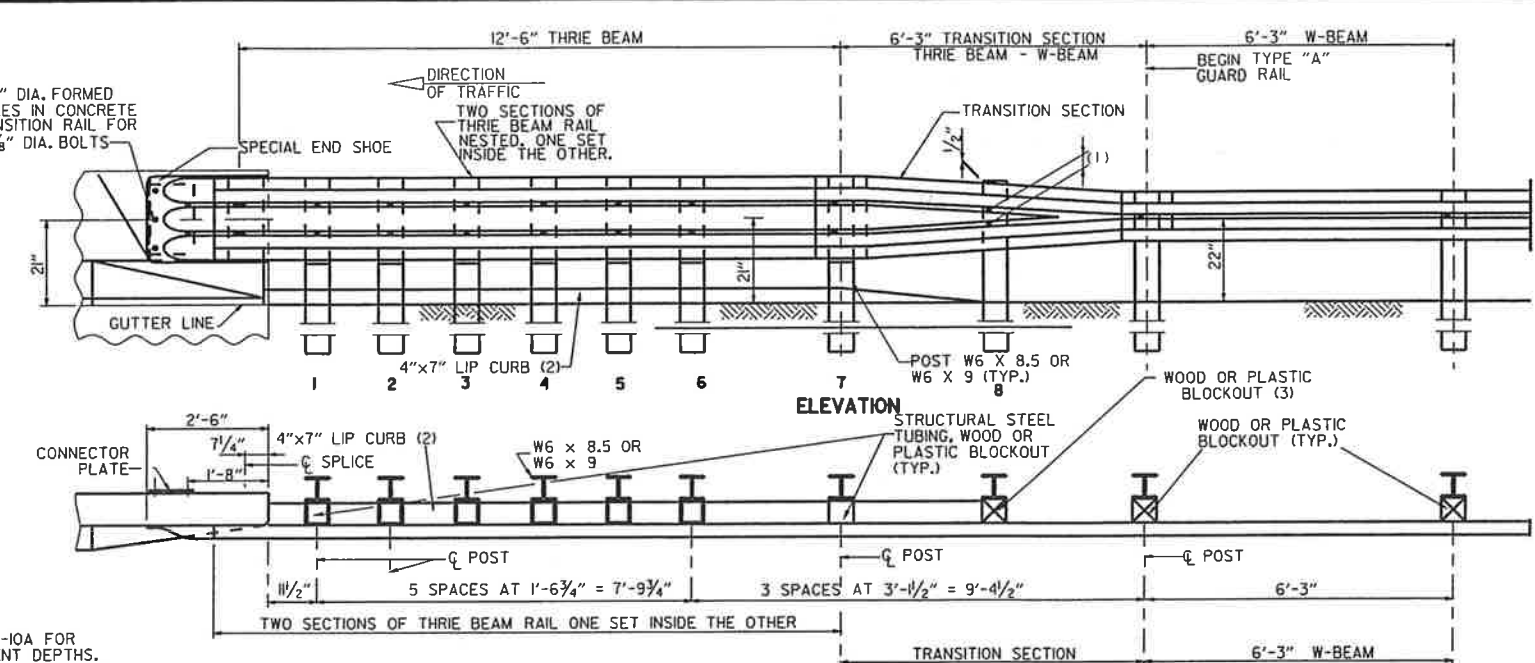




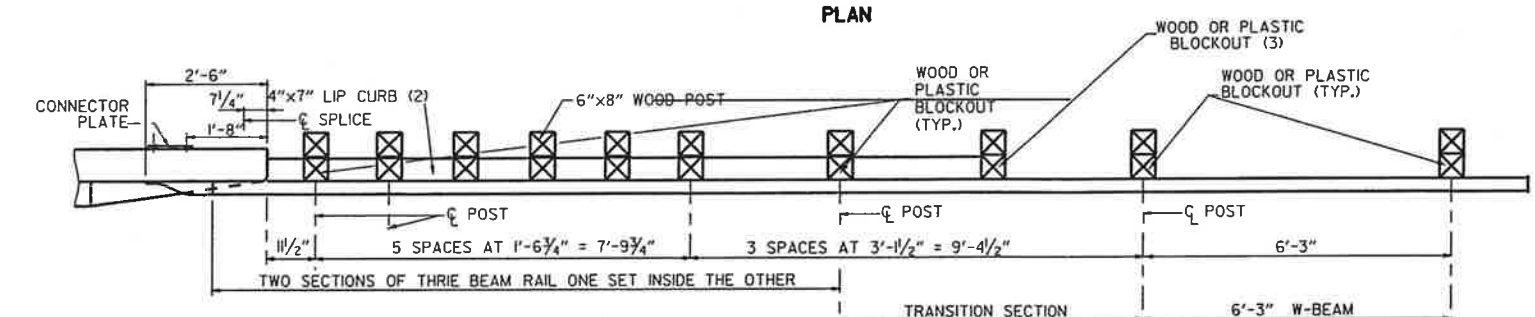
SECTION THRU THRIE BEAM RAIL



SPECIAL END SHOE



ELEVATION



PLAN

- (1) VERIFY BOLT SPACING FROM RAIL TRANSITION PRODUCER.
- (2) REFER TO APPROACH GUTTER DETAILS.
- (3) LENGTH OF BLOCKOUT ON POST 8 TO BE MODIFIED TO FIT RAIL WIDTH.

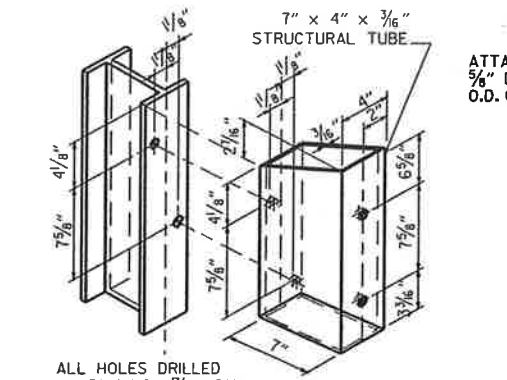
**THRIE BEAM GUARD RAIL CONNECTION AT BRIDGE ENDS**

**GENERAL NOTES:**

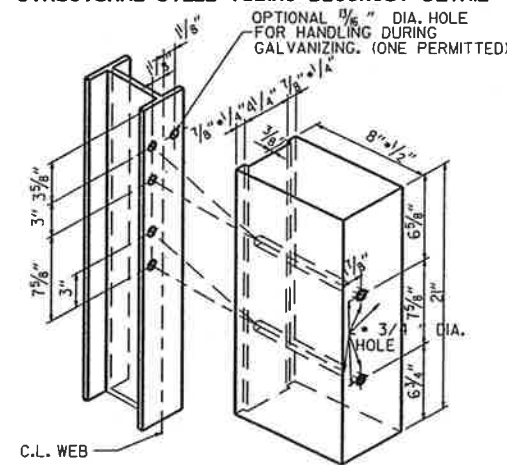
THE THRIE BEAM RAIL, SPECIAL END SHOE, AND THE TRANSITION SECTION SHALL BE MADE OF STEEL AND SHALL BE 12 GAGE. ZINC COATING SHALL BE TYPE I. RAIL POSTS SHALL BE SET PERPENDICULAR TO THE ROADWAY PROFILE GRADE AND VERTICALLY IN CROSS SECTION. ALL BOLTS SHALL BE SUFFICIENT LENGTH TO EXTEND THROUGH THE FULL THICKNESS OF THE NUT AND NO MORE THAN 3/4\"/>

DATE	REVISION	DATE FILM
7-14-10	RAISED HEIGHT OF W-BEAM 1"	
11-29-07	ADDED PLASTIC BLOCKOUTS	
11-10-05	ADDED NOTE FOR ATTACHING STEEL BLOCKOUT	
11-18-04	REVISED GENERAL NOTES	
10-9-03	REVISED GENERAL NOTES	
4-10-03	REVISED GENERAL NOTES	
8-22-02	REVISED NOTE (2)	
6-29-00	MOVED DIMENSION LINES	
5-18-00	ADDED NOTE	
3-30-00	DRAWN & ISSUED	

ARKANSAS STATE HIGHWAY COMMISSION		
GUARD RAIL DETAILS		
STANDARD DRAWING GR-10		

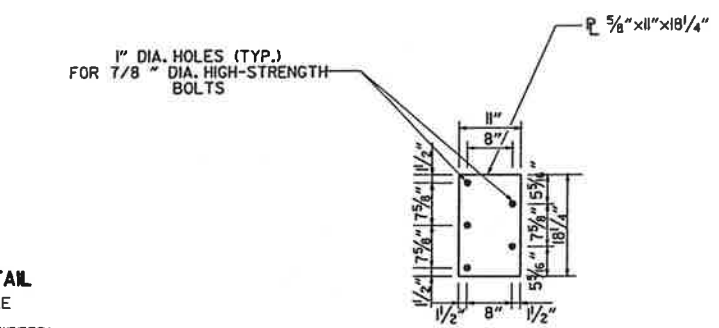


STRUCTURAL STEEL TUBING BLOCKOUT DETAIL



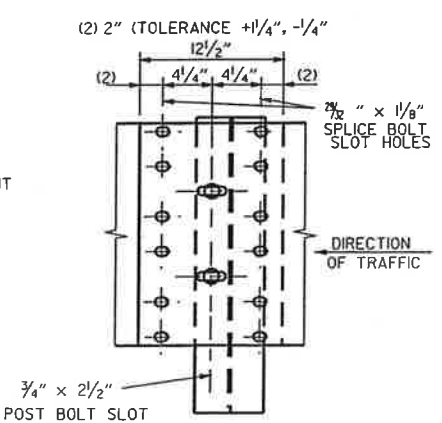
HOLE PUNCHING DETAIL FOR STEEL POST & WOOD OR PLASTIC BLOCKOUTS

NOTE: BLOCKS SHALL BE THE SAME TYPE THROUGHOUT THE PROJECT LIMITS.

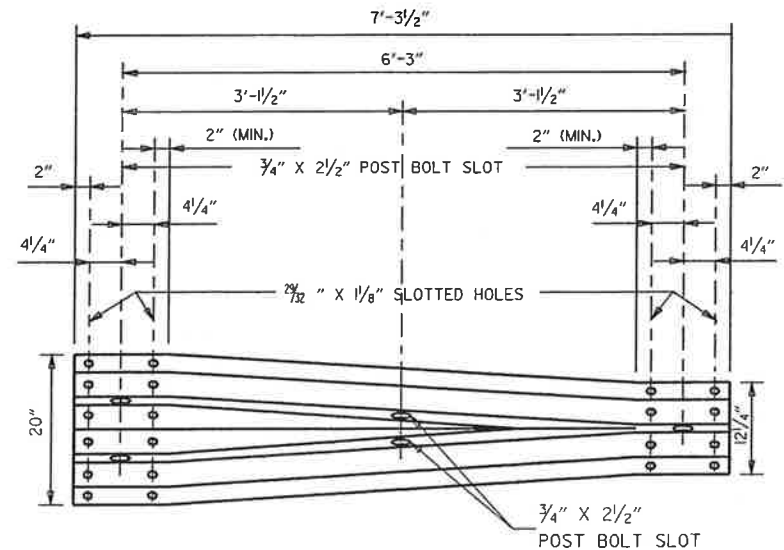


CONNECTOR PLATE

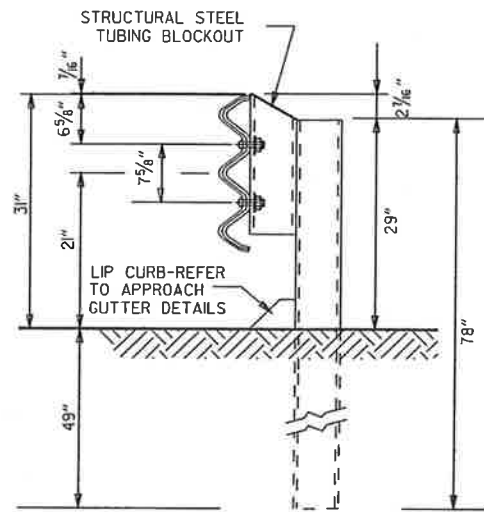
CONNECTOR PLATE SHALL BE AASHTO M270, GR. 36 AND SHALL BE GALVANIZED AFTER FABRICATION. GALVANIZING SHALL CONFORM TO SUBSECTION 807.19 OF THE STANDARD SPECIFICATIONS. CONNECTOR PLATE TO BE BOLTED TO SPECIAL END SHOE USING 7/8\"/>



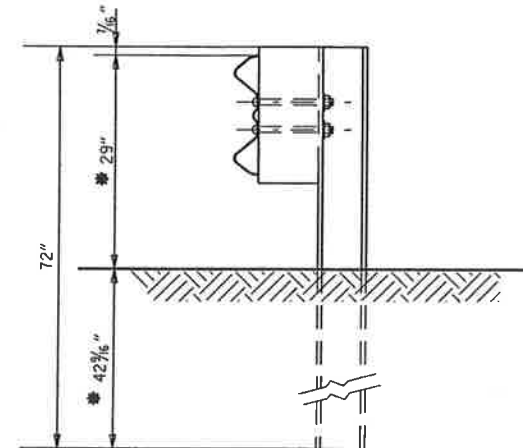
THRIE BEAM RAIL SPLICE AT POST



TRANSITION SECTION

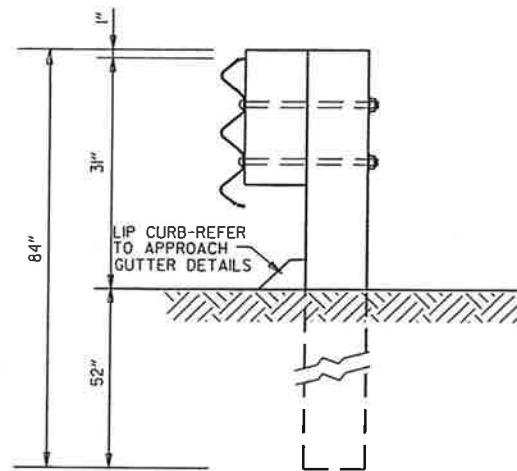


THRIE BEAM RAIL WITH STEEL TUBING BLOCKOUT AND STEEL POST  
POSTS 1-7

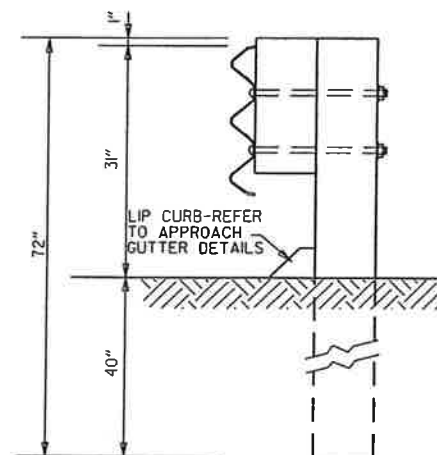


W-BEAM TO THRIE BEAM TRANSITION RAIL WITH WOOD OR PLASTIC BLOCKOUT AND STEEL POST  
POST 8

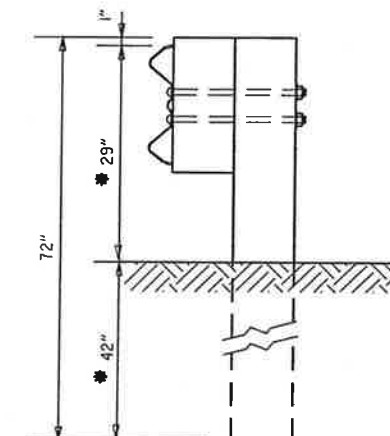
\* NOTE:  
THESE DIMENSIONS WILL NEED TO BE ADJUSTED IN THE FIELD TO MAKE THE TRANSITION FROM 21" MID POINT OF THRIE BEAM TO 22" MID POINT OF W-BEAM.



THRIE BEAM RAIL WITH WOOD OR PLASTIC BLOCKOUTS & WOOD POSTS  
POSTS 1-6



THRIE BEAM RAIL WITH WOOD OR PLASTIC BLOCKOUT & WOOD POST  
POST 7



W-BEAM TO THRIE BEAM TRANSITION RAIL WITH WOOD OR PLASTIC BLOCKOUT & WOOD POST  
POST 8

GENERAL NOTES:  
RAIL POSTS SHALL BE SET PERPENDICULAR TO THE ROADWAY PROFILE GRADE AND VERTICALLY IN CROSS SECTION.

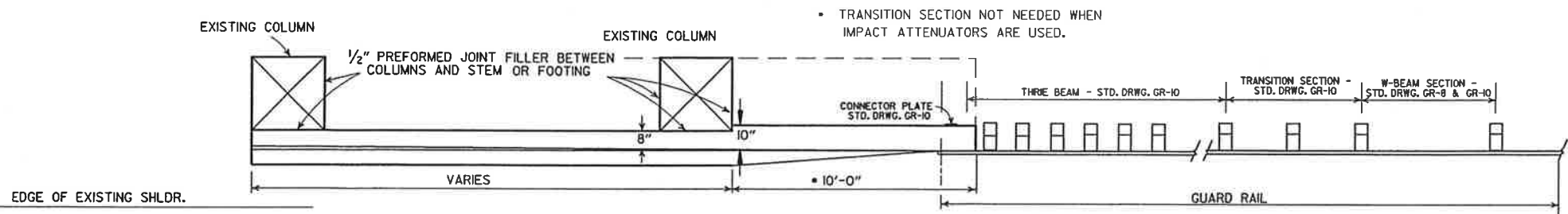
WOOD POSTS & WOOD BLOCKS SHALL BE EITHER DENSE NO. 1 STRUCTURAL OR BETTER 9.7F (1400 F) OR NO. 1 (1350 F) SOUTHERN PINE.

ARKANSAS STATE HIGHWAY COMMISSION

GUARD RAIL DETAILS

STANDARD DRAWING GR-10A

DATE	REVISION	DATE FILM
7-14-10	REVISED POST 8 DIMENSIONS	
11-29-07	ADDED PLASTIC BLOCKOUTS	
8-22-02	REVISED LIP CURB NOTE	
3-30-00	DRAWN & ISSUED	

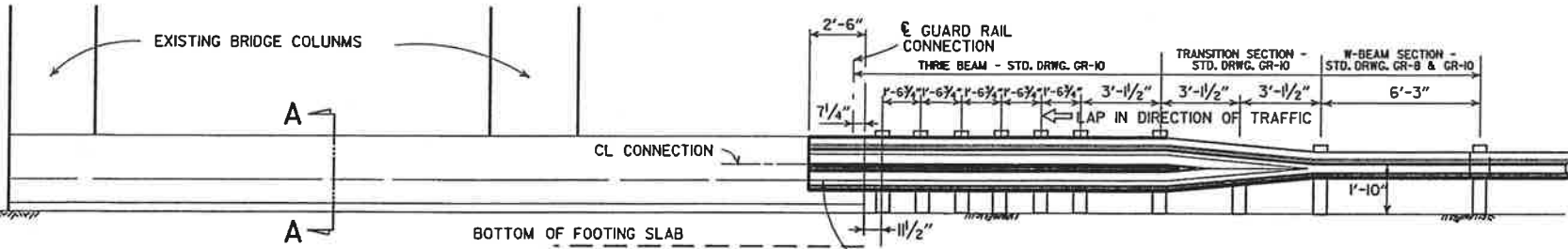


• TRANSITION SECTION NOT NEEDED WHEN IMPACT ATTENUATORS ARE USED.

AT LEAST ONE 1/2" JOINT SHALL BE CONSTRUCTED IN THE CONCRETE BARRIER WALL. JOINTS SHALL BE EQUALLY SPACED AT A MAXIMUM OF 25'-0" O.C. FILL JOINT WITH PREFORMED JOINT FILLER.

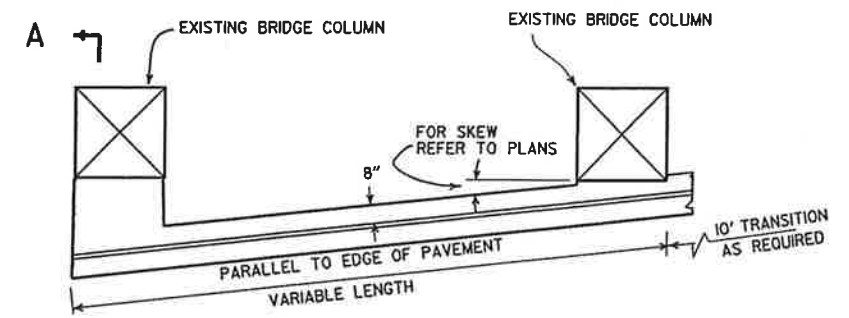
PLAN OF CONCRETE BARRIER WALL

WEEP HOLES TO BE INSTALLED @ 5'-0" O.C. WHERE NECESSARY DUE TO EMBANKMENT SPILL-OVER UNDER BRIDGES

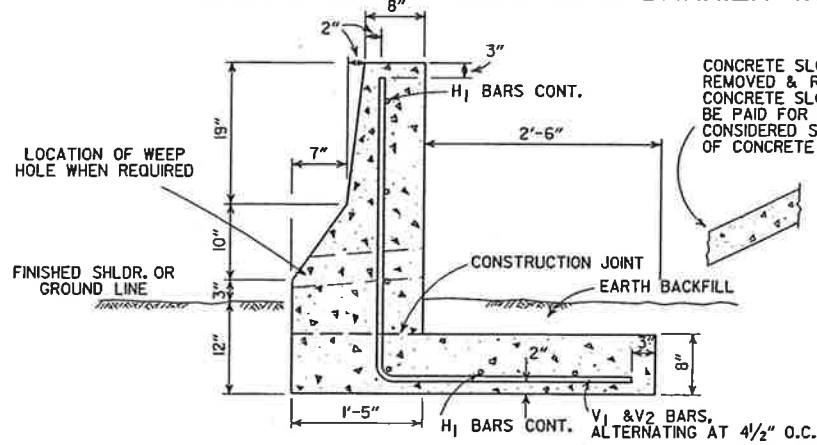


NOTE: ALL EXPOSED EDGES OF THE CONCRETE BARRIER WALL SHALL HAVE A 3/4" CHAMFER.

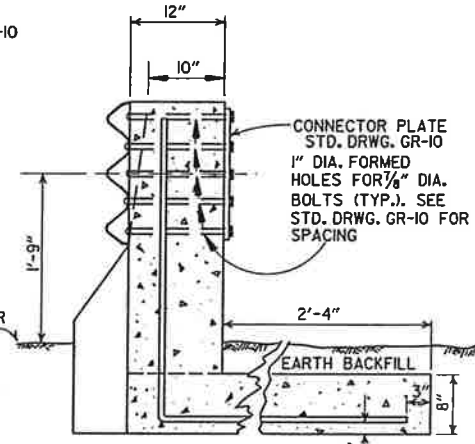
ELEVATION OF CONCRETE BARRIER WALL



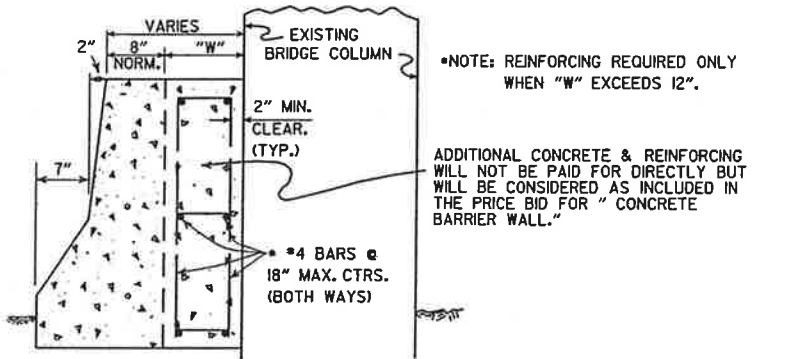
PLAN



SECTION A-A



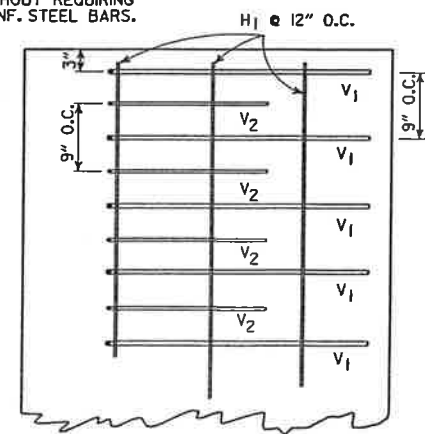
SECTION THRU CONNECTION



SECTION A-A

DETAILS OF CONCRETE BARRIER WALL WHEN PIERS ARE SKEWED TO ROADWAY

IF FOR ANY REASON IT IS NECESSARY TO CONSTRUCT THE FOOTING AT A LOWER ELEVATION THAN IS SHOWN, THE STEM MAY BE LENGTHENED 1'-0" BETWEEN FIN. SHLDR. AND TOP OF FOOTING WITHOUT REQUIRING HEAVIER REINF. STEEL BARS.

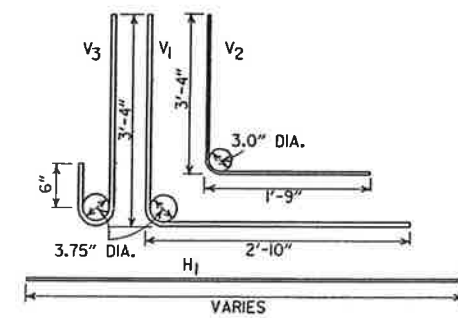


PLAN OF REINFORCING STEEL IN FOOTING

BAR LIST

MARK	NO.	SIZE	LENGTH
V1		#5	6'-2 1/4"
V2		#4	5'-1"
V3		#5	4'-1 1/8"
H1	6	4	VAR.

THE V3 BARS SHALL BE USED IN PLACE OF THE V1 & V2 BARS IN FRONT OF PIERS.



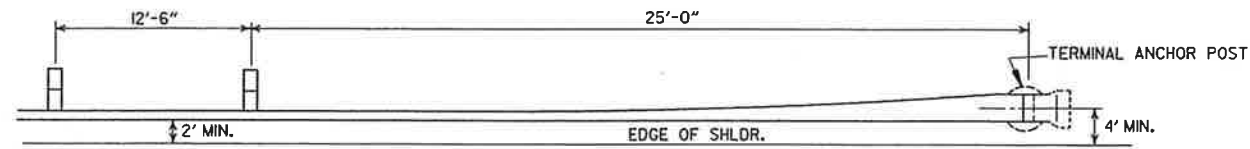
BEND DIAGRAMS

DATE	REVISION	DATE FILM
7-14-10	RAISED HEIGHT OF W-BEAM 1"	
8-22-02	REV. SECTION A-A OF DETAILS OF CONCRETE BARRIER WALL	
6-29-00	MOVED DIMENSION LINE	
5-18-00	ADDED NOTE	
3-30-00	REVISED TO INCLUDE THREE BEAM	
6-2-94	ADDED TRANSITION SECTION NOTE	
10-1-92	REDRAWN & REVISED	10-1-92
8-15-91	REVISED DRAWING PLAN CONC. BARR.	8-15-91
2-16-89	ADDED SKEWED DETAILS	594-2-16-89
7-14-88	CHANGED TITLE	
10-9-87	REDRAWN & REVISED	

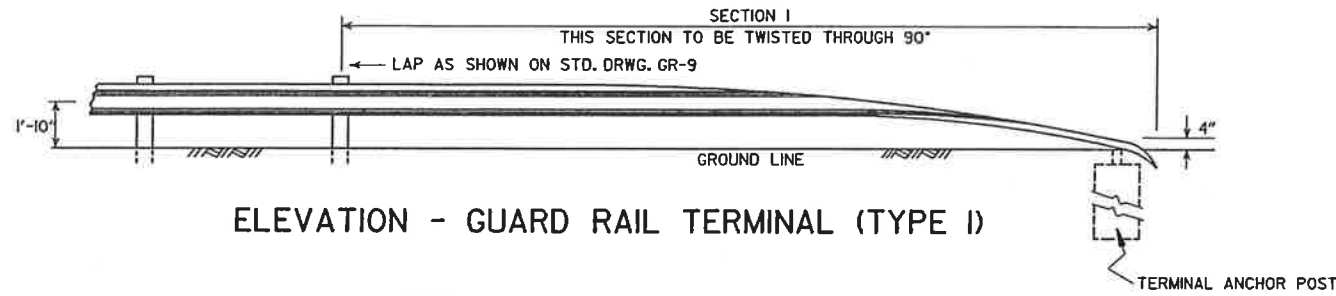
ARKANSAS STATE HIGHWAY COMMISSION

CONCRETE BARRIER WALL (PIER PROTECTION TYPE A)

STANDARD DRAWING GR-II

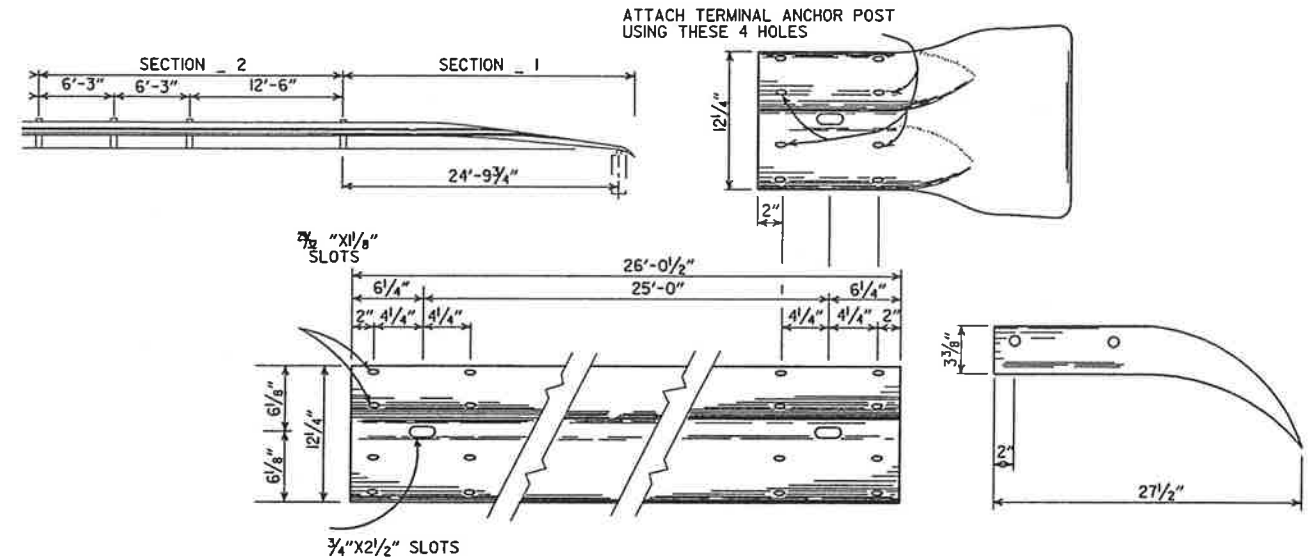


PLAN - GUARD RAIL TERMINAL (TYPE I)



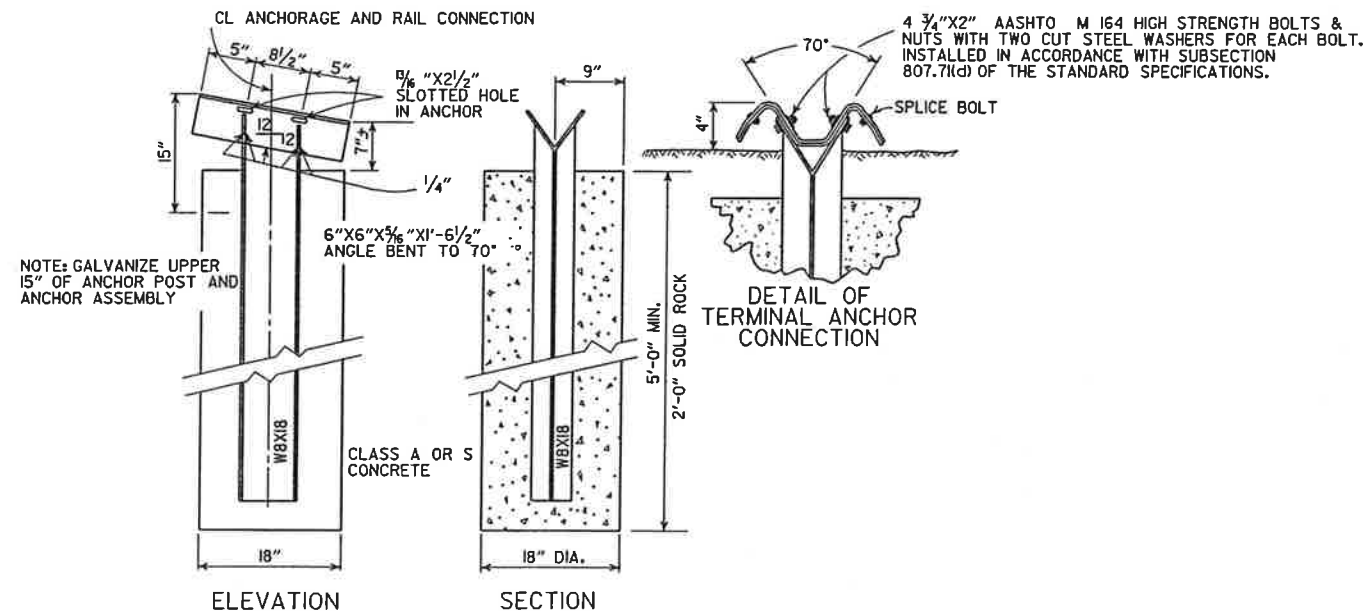
ELEVATION - GUARD RAIL TERMINAL (TYPE I)

NOTE:  
SECTIONS 1 AND 2 OF GUARD RAIL TERMINAL  
SHALL BE PAID FOR AT THE PRICE BID PER  
LINEAR FOOT OF THE TYPE OF GUARD RAIL SPECIFIED.



SECTION 1

TERMINAL SECTION

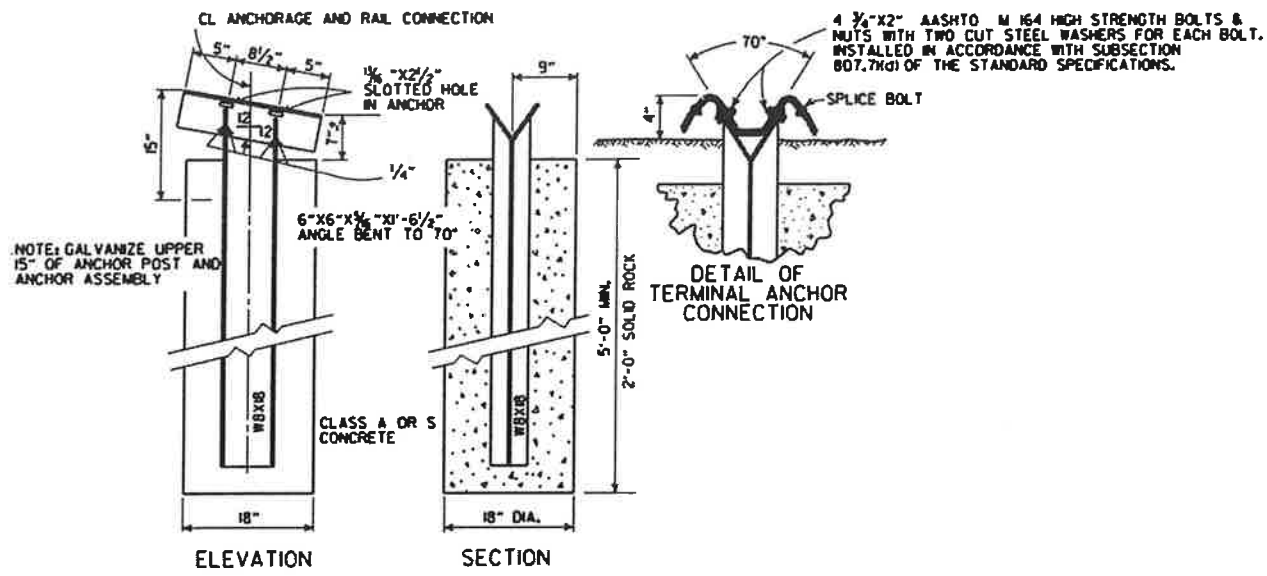
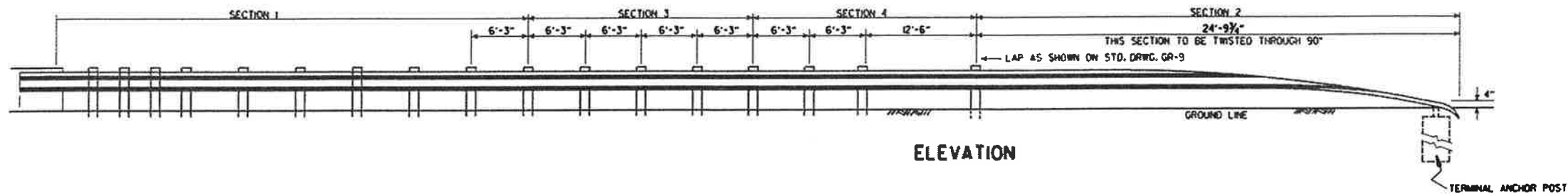


DETAIL OF TERMINAL ANCHOR POST (TYPE I)

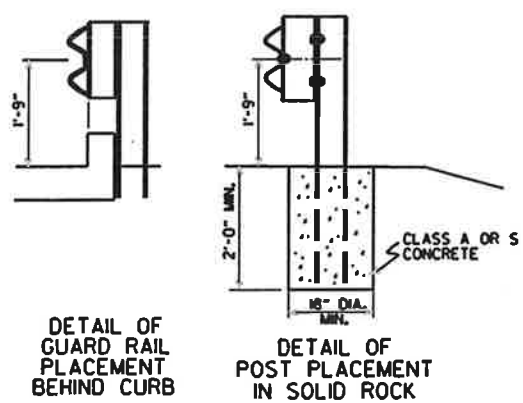
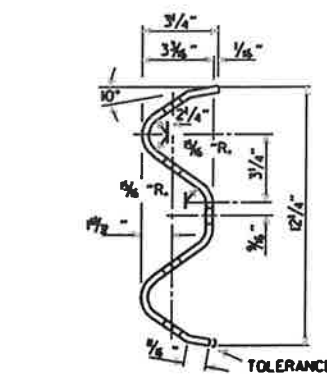
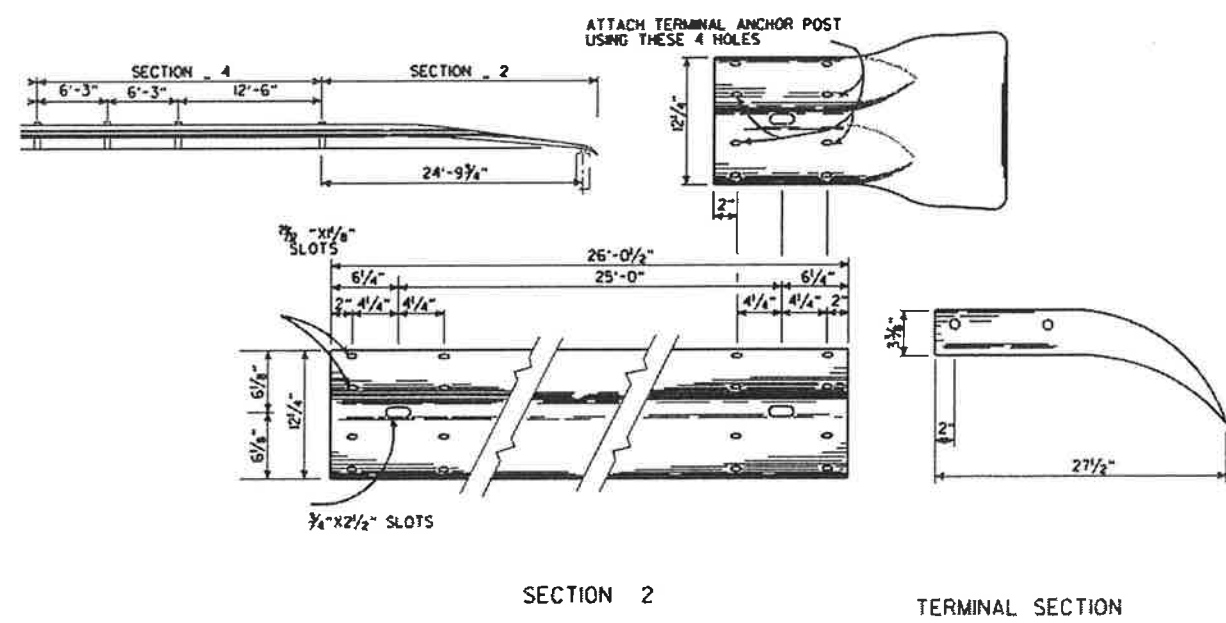
NOTE: GALVANIZE UPPER 15" OF ANCHOR POST AND ANCHOR ASSEMBLY

NOTE: RAIL MEMBERS MAY BE BOLTED TO ANGLE AT TERMINAL ANCHOR AND THE TWO ASSEMBLIES POSITIONED TO PROPER ALIGNMENT PRIOR TO PLACING CONCRETE AROUND 8 W 17 POST IF CONTRACTOR SO DESIRES.

			ARKANSAS STATE HIGHWAY COMMISSION
			GUARD RAIL DETAILS
			STANDARD DRAWING GRT-I
7-14-10	RAISED HEIGHT OF GUARD RAIL 1"		
6-26-97	REVISED LAP NOTE		
10-18-96	REVISED ASTM REF. TO AASHTO		
11-3-94	DIMENSION TERMINAL DETAIL		
11-11-92	ADDED NOTE FOR PAYMENT	11-11-92	
10-1-92	DRAWN & ISSUED	10-1-92	
DATE	REVISION	DATE	FILM



**DETAIL OF TERMINAL ANCHOR POST (TYPE II)**



**-GENERAL NOTES-**

ALL BOLTS SHALL BE SUFFICIENT LENGTH TO EXTEND THROUGH THE FULL THICKNESS OF THE NUT AND NO MORE THAN 1/4" BEYOND IT.

GUARD RAIL SECTION 1 REPRESENTS END SECTION AND IN THE MEASUREMENT FOR PAYMENT OF GUARD RAIL SHALL BE CONSIDERED AS 25'-0" IN LENGTH.

WHERE GUARD RAIL CONTINUES, THE INTERMEDIATE SECTIONS SHALL HAVE A POST SPACING OF 6'-3" UNLESS OTHERWISE NOTED.

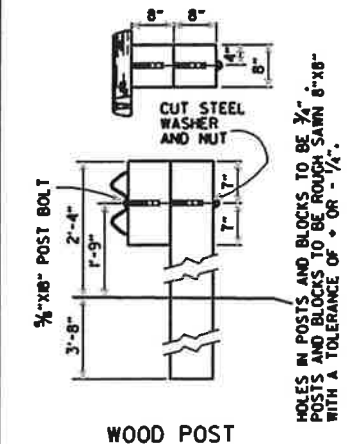
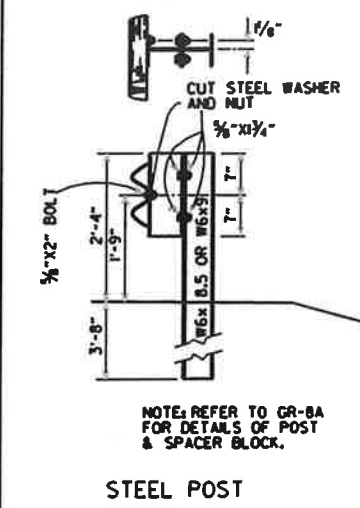
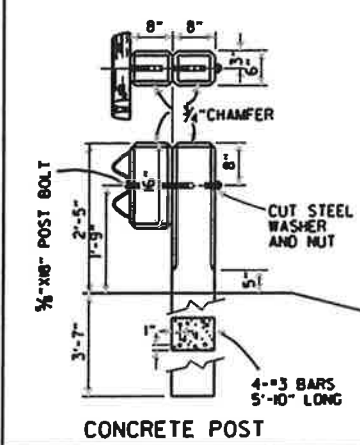
GUARD RAIL SECTION 2 REPRESENTING INTERMEDIATE SECTIONS WILL BE MEASURED ALONG THE ROADWAY FACE FROM CENTERLINE OF POST TO CENTERLINE OF POST.

USE POSTS OF SAME MATERIAL FOR ENTIRE JOB. FOR EXTENSIONS OR MODIFICATION OF EXISTING GUARD RAIL, POSTS OF THE SAME TYPE AS THOSE EXISTING SHALL BE USED.

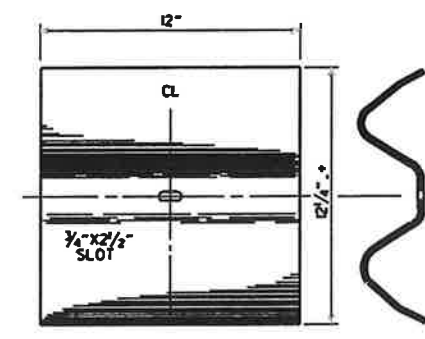
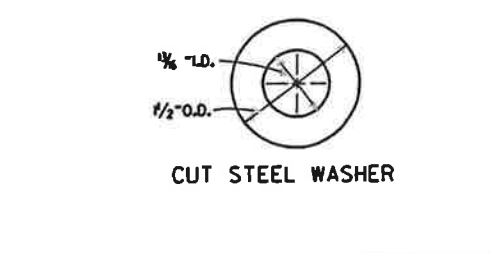
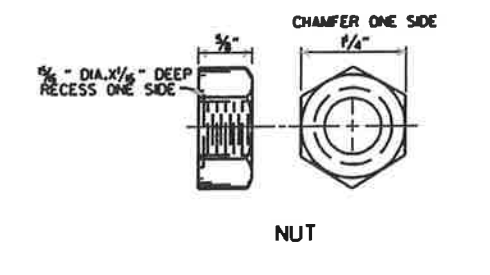
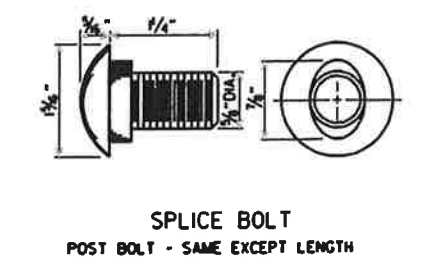
ANY BACKFILLING UNDER OR AROUND POST SHALL BE DAMP SAND THOROUGHLY TAMPED IN PLACE.

WOOD POSTS SHALL BE EITHER DENSE NO. 1 STRUCTURAL OR BETTER 9.7f 0400 #1 OR NO. 11350 f SOUTHERN PINE.

PAYMENT FOR SPECIAL END SHOE SHALL BE CONSIDERED AS PART OF SECTION 1. LAP SPECIAL END SHOE ON TOP OF SECTION 1.



**DETAILS OF LINE POST CONNECTIONS**












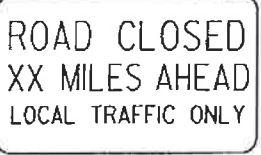
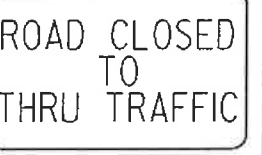





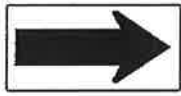



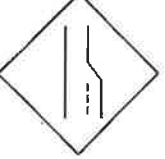




















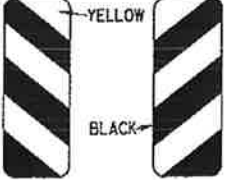


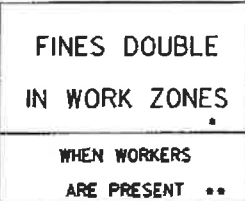
DATE	REVISION	DATE FILM

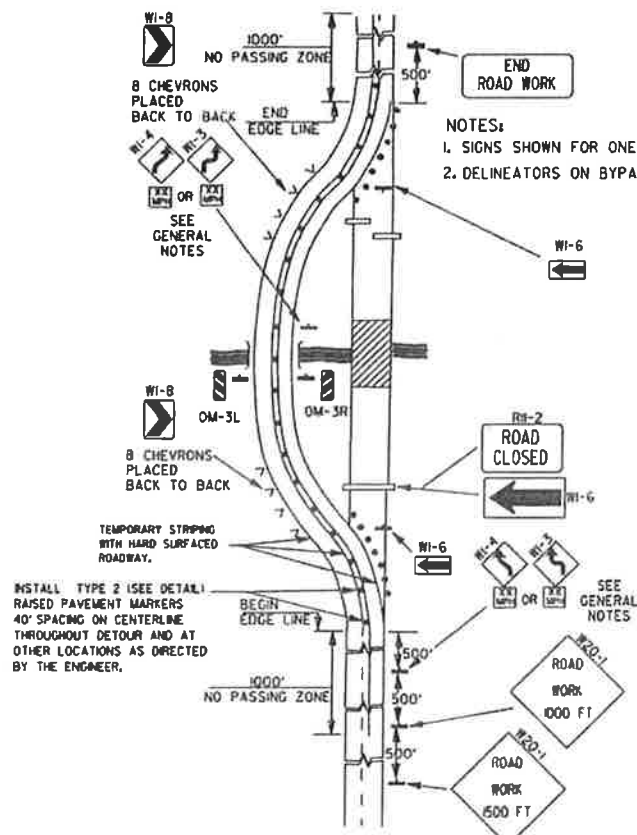
ARKANSAS STATE HIGHWAY COMMISSION

GUARD RAIL DETAILS

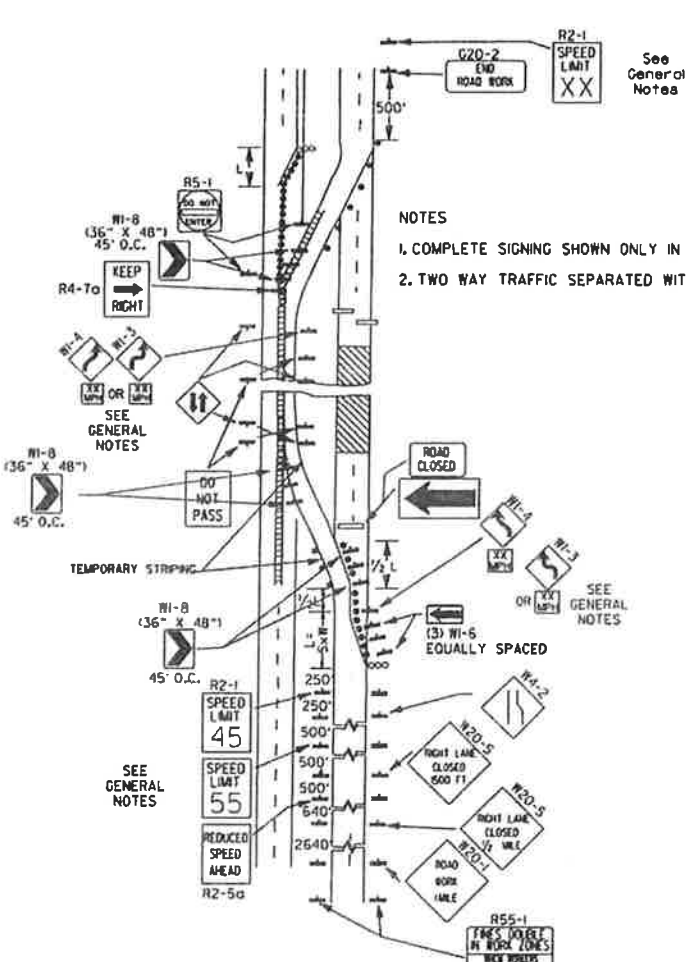
STANDARD DRAWING MNTNC-1



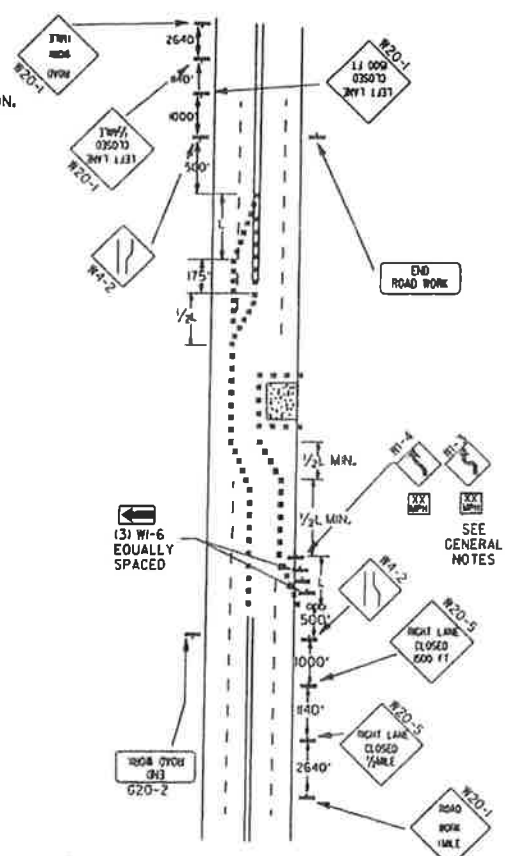
							ADVANCE DISTANCES (XXXX)																																																				
<p>RI-1</p>  <p>STANDARD 30"x30" EXPRESSWAY 36"x36" SPECIAL 48"x48"</p>	<p>RI-2</p>  <p>STD. 36"x36"x36" EXPWY. 48"x48"x48" FWY. 60"x60"x60"</p>	<p>R2-1</p>  <p>STD. 24"x30" EXPWY. 36"x48" FWY. 48"x60"</p>	<p>R2-5A</p>  <p>STD. 24"x30" EXPWY. 36"x48" FWY. 48"x60"</p>	<p>R2-5C</p>  <p>STD. 24"x30" EXPWY. 36"x48" FWY. 48"x60"</p>	<p>R4-1</p>  <p>STD. 24"x30" EXPWY. 36"x48" FWY. 48"x60"</p>	<p>R4-2</p>  <p>STD. 24"x30" EXPWY. 36"x48" FWY. 48"x60"</p>	<p>500 FT 1000 FT 1500 FT</p> <p>1/2 MILE 3/4 MILE 1 MILE AHEAD</p>																																																				
<p>GENERAL NOTES:</p> <p>1. ALL TRAFFIC CONTROL DEVICES USED ON ROAD CONSTRUCTION SHALL CONFORM TO THE MANUAL ON UNIFORM TRAFFIC CONTROL DEVICES, LATEST EDITION, AND TO THE STANDARD HIGHWAY SIGNS, LATEST EDITION, OR AS APPROVED BY THE FEDERAL HIGHWAY ADMINISTRATION.</p> <p>2. TRAFFIC CONTROL DEVICES SHALL BE SET UP JUST BEFORE THE START OF CONSTRUCTION OPERATIONS AND SHALL BE PROPERLY MAINTAINED DURING THE TIME SUCH CONDITIONS EXIST. THEY SHALL REMAIN IN PLACE ONLY AS LONG AS NEEDED AND REMOVED THEREAFTER.</p> <p>3. EXISTING SIGNS AND CONSTRUCTION SIGNS SHALL BE KEPT IN PROPER POSITION, AND BE CLEAN AND LEGIBLE AT ALL TIMES. SIGNS THAT DO NOT APPLY TO EXISTING CONDITIONS SHALL BE REMOVED. SIGNS THAT ARE DAMAGED, DEFACED, OR THAT ACCUMULATE DIRT DURING CONSTRUCTION SHALL BE CLEANED, REPAIRED, OR REPLACED.</p> <p>4. SIGNS ARE USUALLY MOUNTED ON A SINGLE POST, ALTHOUGH THOSE WIDER THAN 36" OR LARGER THAN 10 SQ. FT. SHALL BE MOUNTED ON TWO POSTS OR ABOVE A TYPE III BARRICADE.</p> <p>5. SIGN POSTS DIRECT BURIED IN SOIL SHALL BE 2 LB. MINIMUM CHANNEL POST OR 4"x4" WOOD POSTS. CHANNEL POSTS SHALL BE PAINTED GREEN. WOOD POSTS SHALL BE PAINTED WHITE. ALL POSTS SHALL BE NEATLY CONSTRUCTED, AND SHALL BE REPLUMBED, CLEANED, OR REPAIRED AS NEEDED FOR THE DURATION OF THE JOB. THERE SHALL NOT BE MORE THAN 2 POSTS IN A 7' PATH FOR WOOD OR CHANNEL POSTS. ANY CHANNEL POST SPLICE SHALL BE IN ACCORDANCE WITH STANDARD DRAWING TC-3.</p> <p>6. POST MOUNTED SIGNS IN RURAL AREAS SHALL BE CONSTRUCTED WITH THE NEAR EDGE OF THE SIGN FROM 6 TO 12 FEET FROM THE PAVEMENT EDGE. SIGNS IN URBAN AREAS AND BARRICADE MOUNTED SIGNS SHALL BE MOUNTED A MINIMUM OF 2 FEET FROM THE PAVEMENT EDGE.</p> <p>7. ALL POST AND BARRICADE MOUNTED SIGNS MOUNTED IN URBAN AREAS SHALL BE MOUNTED A MINIMUM DISTANCE OF 7' FROM THE BOTTOM OF THE SIGN TO THE ROADWAY SURFACE. ALL POST AND BARRICADE MOUNTED SIGNS MOUNTED IN RURAL AREAS SHALL BE MOUNTED A MINIMUM DISTANCE OF 7' FROM THE BOTTOM OF THE SIGN TO THE ROADWAY SURFACE. EXCEPT A MINIMUM OF 6' SHALL BE USED WHEN MOUNTING AN ADVISORY SIGN BELOW A WARNING SIGN. TEMPORARY SIGNS MAY BE MOUNTED ON PORTABLE SUPPORTS FOR INTERMEDIATE TERM STATIONARY WORK CONDITIONS. THE SIGNS MINIMUM MOUNTING HEIGHT SHALL BE 5'. RETROREFLECTIVE DEVICES SHALL BE USED. TEMPORARY SIGNS MAY BE MOUNTED ON PORTABLE SUPPORTS FOR SHORT-TERM, SHORT DURATION, AND MOBILE CONDITIONS. THEY SHALL BE NO LESS THAN ONE FOOT ABOVE THE TRAVELED WAY. LONG-TERM STATIONARY SIGNS SHALL BE DIRECT BURIED IN SOIL, UNLESS CONDITIONS NECESSITATE THE USE OF PORTABLE SIGNS, OR AS APPROVED BY THE ENGINEER. CONCRETE PADS, CONCRETE OR ROCK BALLAST, OR OTHER SOLID MATERIALS SHALL NOT BE UTILIZED WITH PORTABLE SIGN SUPPORTS.</p>																																																											
<p>R5-1</p>  <p>STD. 30"x30" EXPWY. 36"x36" SPECIAL 48"x48"</p>	<p>R11-2</p>  <p>48"x30"</p>	<p>R11-3A</p>  <p>60"x30"</p>	<p>R11-4</p>  <p>60"x30"</p>	<p>RSP-1</p>  <p>48"x30"</p>	<p>W1-1</p>  <p>STD. 36"x36" FWY. 48"x48"</p>	<p>W1-2</p>  <p>STD. 36"x36" FWY. 48"x48"</p>																																																					
<p>W1-3</p>  <p>STD. 48"x48"</p>	<p>W1-4</p>  <p>STD. 48"x48"</p>	<p>W1-6</p>  <p>STD. 48"x24" SPECIAL 60"x30"</p>	<p>W1-8</p>  <p>STD. 18"x24" SPECIAL 24"x30" EXPWY. 30"x36" FWY. 36"x48"</p>	<p>W3-1</p>  <p>STD. 36"x36" SPECIAL 48"x48"</p>	<p>W3-2</p>  <p>STD. 36"x36" SPECIAL 48"x48"</p>	<p>W4-2</p>  <p>STD. 36"x36" FWY. 48"x48"</p>																																																					
<p>W5-1</p>  <p>STD. 36"x36" SPECIAL 48"x48"</p>	<p>W6-3</p>  <p>EXPWY. 36"x36" SPECIAL 48"x48"</p>	<p>W8-7</p>  <p>EXPWY. 36"x36" FWY. 48"x48"</p>	<p>W9-2</p>  <p>STD. 36"x36" FWY. 48"x48"</p>	<p>W13-1</p>  <p>STD. 24"x24"</p>	<p>W20-1</p>  <p>STD. 48"x48"</p>	<p>W20-2</p>  <p>STD. 48"x48"</p>	<p>W20-3</p>  <p>STD. 48"x48"</p>	<p>8. FLAGGERS SHALL USE REFLECTORIZED STOP-SLOW PADDLES. FLAGS MAY BE USED ONLY FOR EMERGENCY SITUATIONS.</p> <p>9. MOST OF THE SIGNS SHOWN ARE ORIENTED TO THE RIGHT. HOWEVER, THIS DOES NOT PRECLUDE THE USE OF MIRROR IMAGES OF THESE SIGNS WHERE THE REVERSE ORIENTATION MIGHT BETTER CONVEY TO MOTORISTS THE PROPER DIRECTION OF MOVEMENT.</p> <p>10. R55-1 SIGNS SHALL BE PLACED AT LEAST 1500' BUT NOT MORE THAN 1 MILE IN ADVANCE OF THE WORK ZONE. IF A SPEED LIMIT REDUCTION IS IN EFFECT, THE SIGN SHALL BE PLACED A MINIMUM OF 500' IN ADVANCE OF THE "REDUCED SPEED AHEAD" SIGN.</p>																																																			
<p>W20-4</p>  <p>STD. 48"x48"</p>	<p>W20-5</p>  <p>STD. 48"x48"</p>	<p>W20-7a</p>  <p>STD. 36"x36" FWY. 48"x48"</p>	<p>W21-2</p>  <p>STD. 30"x30" SPECIAL 36"x36"</p>	<p>W21-5</p>  <p>STD. 30"x30" SPECIAL 36"x36"</p>	<p>W24-1</p>  <p>STD. 36"x36"</p>	<p>W1-4b</p>  <p>STD. 48"x48"</p>	<p>R56-1</p>  <p>STD. 18"x18"</p>	<p>* NOTE: SUPPORTS FOR SIGNS, BARRICADES, AND VERTICAL PANELS THAT ARE DIFFERENT FROM THE REQUIREMENTS SHOWN IN NOTES 4 &amp; 5, BUT MEET THE REQUIREMENTS OF NCHRP-350 OR MANUAL FOR ASSESSING SAFETY HARDWARE (MASH), WILL BE ACCEPTED. COMPLIANCE WITH THE REQUIREMENTS OF NCHRP-350 OR MANUAL FOR ASSESSING SAFETY HARDWARE (MASH) IS REQUIRED FOR ALL PROJECTS.</p>																																																			
<p>W8-11</p>  <p>STD. 36"x36" FWY. 48"x48"</p>	<p>W8-9</p>  <p>STD. 36"x36" FWY. 48"x48"</p>	<p>G20-1</p>  <p>60"x24"</p>	<p>G20-2</p>  <p>48"x24"</p>	<p>OM-3L OM-3R</p>  <p>12"x36"</p>	<p>M4-9</p>  <p>STD. 30"x24" SPECIAL 48"x36" SPECIAL 60"x48"</p>	<p>M4-10</p>  <p>48"x18"</p>	<p>R55-1</p>  <p>36"x60"</p> <p>* USE 6" C LETTERS ** USE 4" D LETTERS</p>	<table border="1"> <tr><td>12-15-1</td><td>REVISED W24-1</td><td></td></tr> <tr><td>1-7-10</td><td>DELETED W8-9c &amp; ADDED W8-9</td><td></td></tr> <tr><td>10-16-09</td><td>ADDED REFERENCE TO MASH &amp; ADDED SIGN W24-1</td><td></td></tr> <tr><td>4-17-08</td><td>REVISED SIGN DESIGNATIONS</td><td></td></tr> <tr><td>1-18-04</td><td>REVISED NOTES</td><td></td></tr> <tr><td>10-9-03</td><td>REVISED NOTE 1</td><td></td></tr> <tr><td>1-18-01</td><td>REVISED NOTE 7</td><td></td></tr> <tr><td>9-28-00</td><td>REVISED NOTE</td><td></td></tr> <tr><td>1-18-98</td><td>ADDED NOTE</td><td></td></tr> <tr><td>6-26-97</td><td>REVISED NOTE 5</td><td></td></tr> <tr><td>4-03-97</td><td>REVISED NOTE 5</td><td></td></tr> <tr><td>10-18-96</td><td>ADDED CONTROLLED ACCESS HWY. SIGN &amp; TO NOTE 7</td><td></td></tr> <tr><td>10-12-95</td><td>ADDED R55-1</td><td></td></tr> <tr><td>6-8-95</td><td>REVISED TO CORRECT SIGN ILLUSTRATIONS</td><td>6-8-95</td></tr> <tr><td>2-2-95</td><td>REVISED PER PART VI, MUTCD SEPT. 3, 1993</td><td></td></tr> <tr><td>8-15-91</td><td>DRAWN AND PLACED IN USE</td><td></td></tr> <tr><td>DATE</td><td>REVISION</td><td>FILMED</td></tr> </table>	12-15-1	REVISED W24-1		1-7-10	DELETED W8-9c & ADDED W8-9		10-16-09	ADDED REFERENCE TO MASH & ADDED SIGN W24-1		4-17-08	REVISED SIGN DESIGNATIONS		1-18-04	REVISED NOTES		10-9-03	REVISED NOTE 1		1-18-01	REVISED NOTE 7		9-28-00	REVISED NOTE		1-18-98	ADDED NOTE		6-26-97	REVISED NOTE 5		4-03-97	REVISED NOTE 5		10-18-96	ADDED CONTROLLED ACCESS HWY. SIGN & TO NOTE 7		10-12-95	ADDED R55-1		6-8-95	REVISED TO CORRECT SIGN ILLUSTRATIONS	6-8-95	2-2-95	REVISED PER PART VI, MUTCD SEPT. 3, 1993		8-15-91	DRAWN AND PLACED IN USE		DATE	REVISION	FILMED
12-15-1	REVISED W24-1																																																										
1-7-10	DELETED W8-9c & ADDED W8-9																																																										
10-16-09	ADDED REFERENCE TO MASH & ADDED SIGN W24-1																																																										
4-17-08	REVISED SIGN DESIGNATIONS																																																										
1-18-04	REVISED NOTES																																																										
10-9-03	REVISED NOTE 1																																																										
1-18-01	REVISED NOTE 7																																																										
9-28-00	REVISED NOTE																																																										
1-18-98	ADDED NOTE																																																										
6-26-97	REVISED NOTE 5																																																										
4-03-97	REVISED NOTE 5																																																										
10-18-96	ADDED CONTROLLED ACCESS HWY. SIGN & TO NOTE 7																																																										
10-12-95	ADDED R55-1																																																										
6-8-95	REVISED TO CORRECT SIGN ILLUSTRATIONS	6-8-95																																																									
2-2-95	REVISED PER PART VI, MUTCD SEPT. 3, 1993																																																										
8-15-91	DRAWN AND PLACED IN USE																																																										
DATE	REVISION	FILMED																																																									



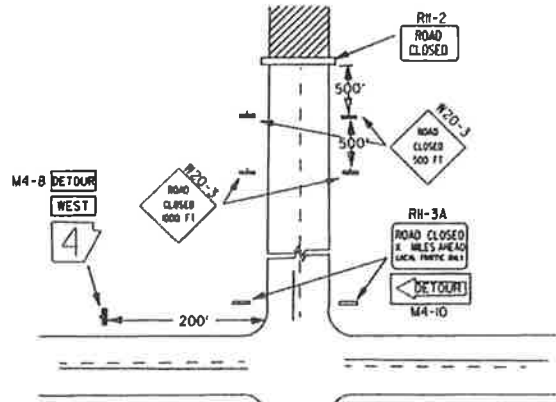
(A) TYPICAL APPLICATION OF TRAFFIC CONTROL DEVICES ON A 2-LANE HIGHWAY WHERE THE ENTIRE ROADWAY IS CLOSED AND A BYPASS DETOUR IS PROVIDED.



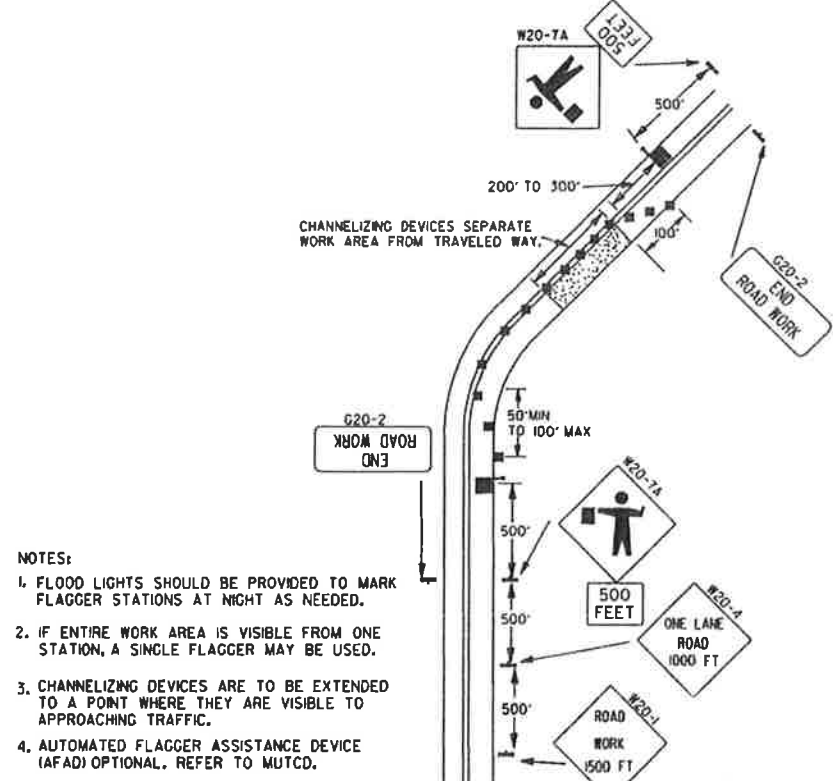
(B) TYPICAL APPLICATION - 4-LANE DIVIDED ROADWAY WHERE ONE ROADWAY IS CLOSED.



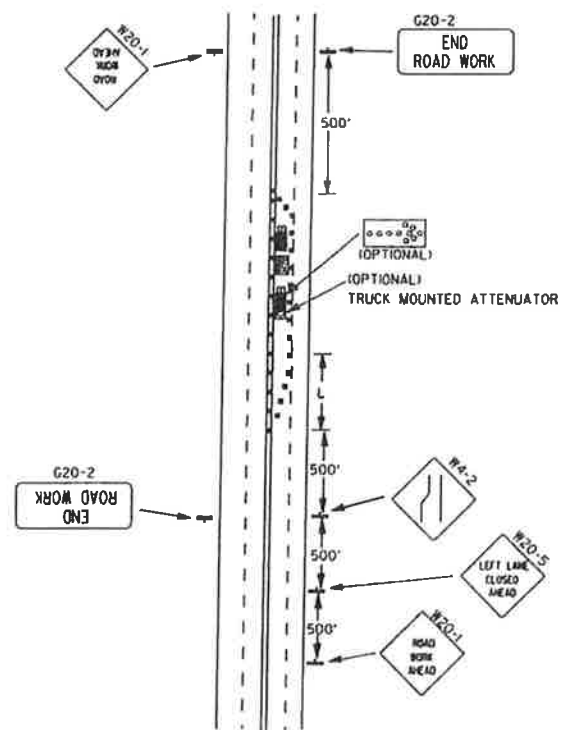
(C) TYPICAL APPLICATION - 4-LANE UNDIVIDED ROADWAY WHERE HALF OF THE ROADWAY IS CLOSED.



(D) TYPICAL APPLICATION - ROADWAY CLOSED BEYOND DETOUR POINT.

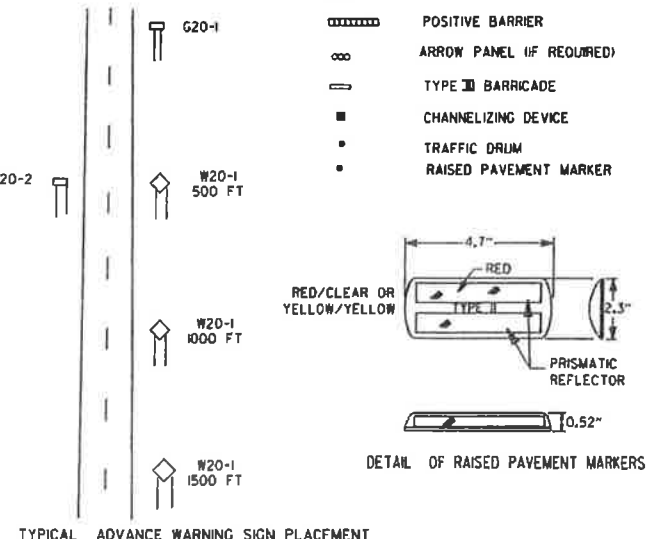


(E) TYPICAL APPLICATION OF TRAFFIC CONTROL DEVICES ON 2-LANE HIGHWAY WHERE ONE LANE IS CLOSED AND FLAGGING IS PROVIDED.



(F) TYPICAL APPLICATION - 4-LANE UNDIVIDED ROADWAY WITH INSIDE LANE CLOSED.

- KEY:
- FLAGGER
  - POSITIVE BARRIER
  - ARROW PANEL (IF REQUIRED)
  - TYPE III BARRICADE
  - CHANNELIZING DEVICE
  - TRAFFIC DRUM
  - RAISED PAVEMENT MARKER



TAPER FORMULAE:

$L = SXW$  FOR SPEEDS OF 45MPH OR MORE.

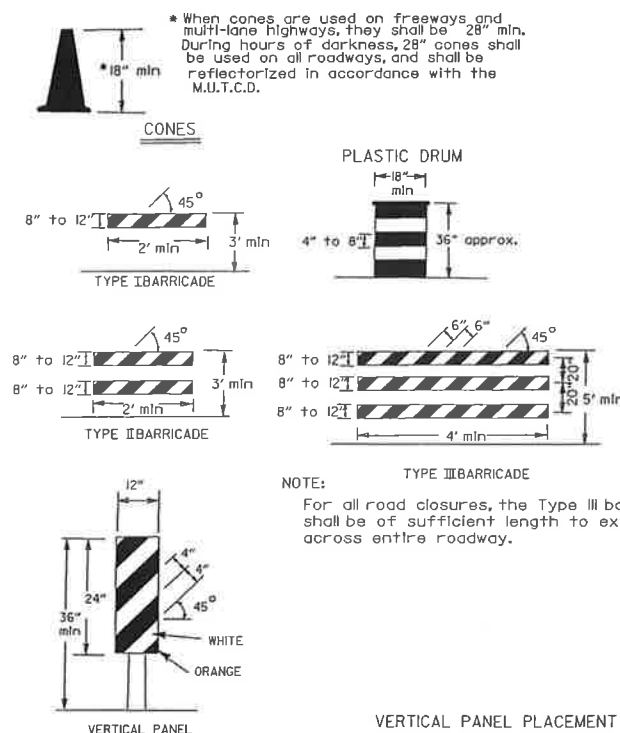
$L = \frac{WS^2}{60}$  FOR SPEEDS OF 40MPH OR LESS.

WHERE:  
L = MINIMUM LENGTH OF TAPER.  
S = NUMERICAL VALUE OF POSTED SPEED LIMIT PRIOR TO WORK OR 85TH PERCENTILE SPEED.  
W = WIDTH OF OFFSET.

- GENERAL NOTES:
- ADVISORY SPEED POSTED ON W1-3 OR W1-4 CURVE WARNING SIGNS TO BE DETERMINED AT SITE. USE W1-4 WHEN SPEED IS GREATER THAN 30MPH AND W1-3 WHEN 30MPH OR LESS.
  - WHEN THE EXISTING SPEED LIMIT IS 45MPH AND THE PLANS REQUIRE A SPEED LIMIT OF 45MPH, THE R2-1(45) SHALL BE OMITTED AND THE R2-5A SHALL BE INSTALLED AT THAT LOCATION. ADDITIONAL R2-1(45)MPH SPEED LIMIT SIGNS SHALL BE INSTALLED AT A MAXIMUM OF 1MILE INTERVALS. AT THE END OF THE WORK AREA A R2-1(XX) SHALL BE INSTALLED TO MATCH ORIGINAL SPEED LIMIT.
  - WHEN THE EXISTING SPEED LIMIT IS 65MPH AND THE PLANS REQUIRE A SPEED LIMIT OF 55MPH, THE R2-1(45) SHALL BE OMITTED. ADDITIONAL R2-1(55)MPH SPEED LIMIT SIGNS SHALL BE INSTALLED AT A MAXIMUM OF 1MILE INTERVALS. AT THE END OF THE WORK AREA A R2-1(XX) SHALL BE INSTALLED TO MATCH ORIGINAL SPEED LIMIT.
  - THE MAXIMUM SPACING BETWEEN CHANNELIZING DEVICES IN A TAPER SHOULD BE APPROXIMATELY EQUAL IN FEET TO THE SPEED LIMIT. BEYOND THE TAPER, MAXIMUM SPACING SHALL BE TWO TIMES THE SPEED LIMIT, OR AS DIRECTED BY THE ENGINEER.
  - WARNING LIGHTS AND/OR FLAGS MAY BE MOUNTED TO SIGNS OR CHANNELIZING DEVICES AT NIGHT AS NEEDED.
  - PAVEMENT MARKINGS NO LONGER APPLICABLE WHICH MIGHT CREATE CONFUSION IN THE MINDS OF VEHICLE OPERATORS SHALL BE REMOVED OR OBLITERATED AS SOON AS PRACTICABLE.
  - TRAILER MOUNTED DEVICES SUCH AS ARROW PANELS AND PORTABLE CHANGEABLE MESSAGE SIGNS SHALL BE DELINEATED BY AFFIXING CONSPICUITY MATERIAL IN A CONTINUOUS LINE ON THE FACE OF THE TRAILER. WHEN PLACED ON OR ADJACENT TO THE SHOULDER AND NOT BEHIND A POSITIVE BARRIER, THESE DEVICES SHALL BE DELINEATED BY PLACING FIVE (5) TRAFFIC DRUMS, EQUALLY SPACED ALONG THE TRAFFIC SIDE OF THE DEVICE.

DATE	REVISION	FILED
9-12-13	REVISED DETAIL OF RAISED PAVEMENT MARKERS	
3-8-10	ADDED (AFAD)	
1-20-08	REVISED SIGN DESIGNATIONS	
0-18-04	ADDED GENERAL NOTE	
10-18-96	ADDED R55-1	
4-26-96	CORRECTED 10' BEHIND G20-2	
6-8-95	CORRECTED SIGN IDENT. ON W1-4A	6-8-95
2-2-95	REVISED PER PART VI MUTCD, SEPT. 3, 1993	
8-15-91	DRAWN AND PLACED IN USE	

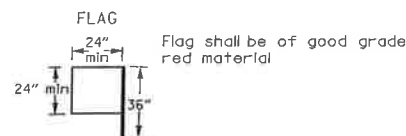
Channelizing devices



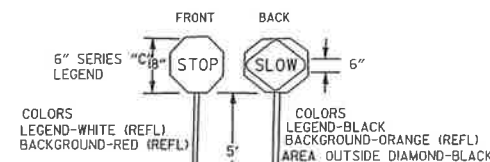
TRAFFIC CONTROL DEVICES FOR VERTICAL PAVEMENT DIFFERENTIALS

VERTICAL DIFFERENTIAL	LOCATIONS	TRAFFIC CONTROL
1" to 3"	Centerline, lane lines	W8-II
1" to 3"	Edge of shoulder	W8-9
Greater than 3"	Lane lines	Standard lane closure required
Greater than 3"	Edge of traveled lane	*RSP-I and vertical panels, drums or concrete barrier
Greater than 3"	Edge of shoulder	*Vertical panels, drums or concrete barrier

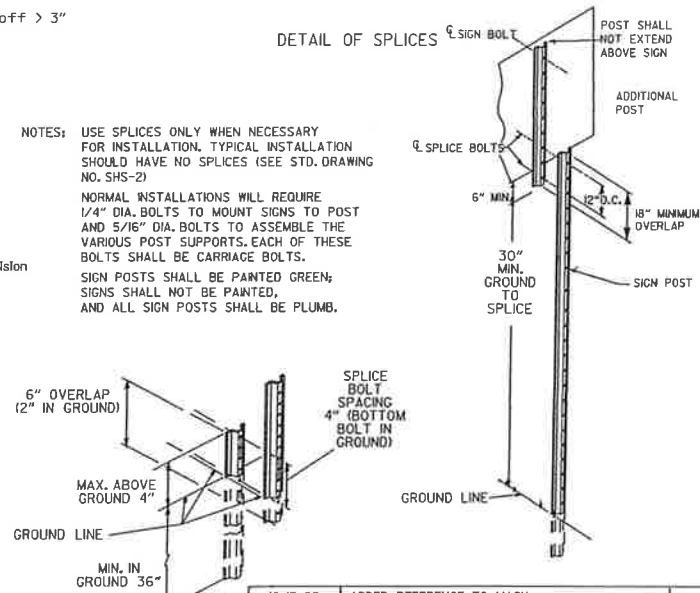
\* When shown on the plans concrete barrier will be used.  
 When the shoulder area is used as part of the traveled lane and there is insufficient width to place drums on the remaining shoulder width, then vertical panels shall be used.



STOP SLOW PADDLE

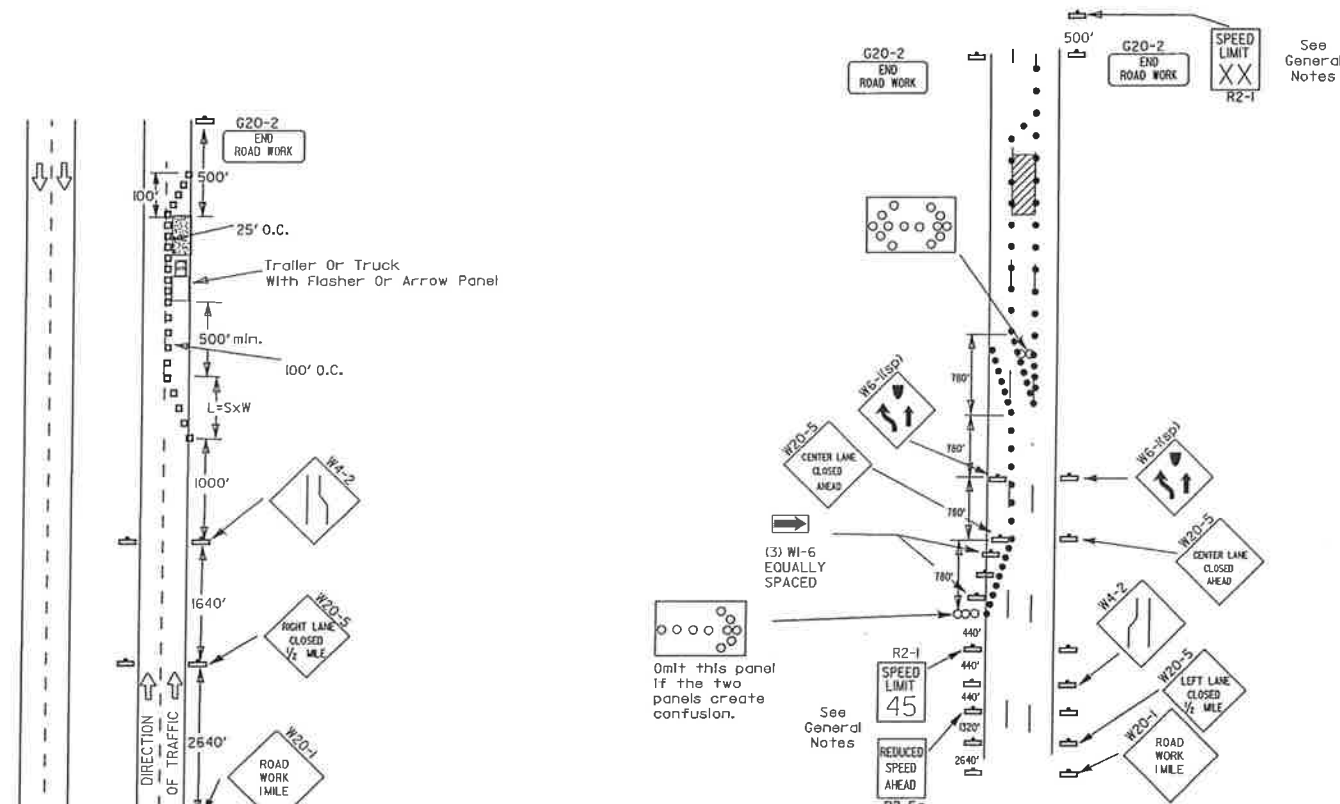


DETAIL OF SPLICES



DATE	REVISION	FILED
10-15-09	ADDED REFERENCE TO MASH	
1-20-08	REVISED SIGN DESIGNATIONS	
1-18-04	ADDED NOTE	
10-1-98	ADDED NOTE	
4-03-97	ADDED (SP) TO W6-1 & REVISED TRAFFIC CONTROL DEVICES NOTE	
10-18-96	ADDED R55-1	
10-12-95	MOVED UPPER SPLICE	
6-8-95	REVISED SPLICE DETAIL, TEXT	6-8-95
2-2-95	REVISED PER PART VI, MUTCD, SEPT. 3, 1993	
8-15-91	DRAWN AND PLACED IN USE	

ARKANSAS STATE HIGHWAY COMMISSION  
 STANDARD TRAFFIC CONTROLS FOR HIGHWAY CONSTRUCTION  
 STANDARD DRAWING TC-3

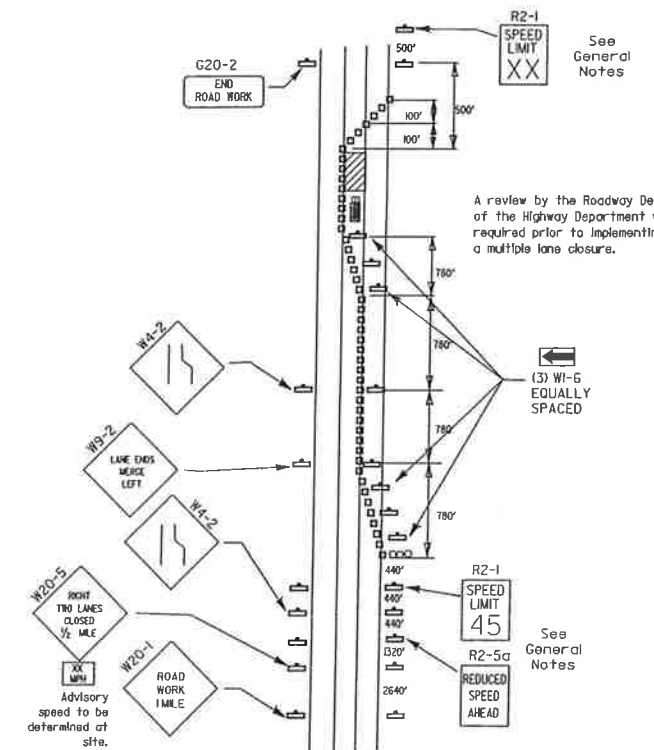
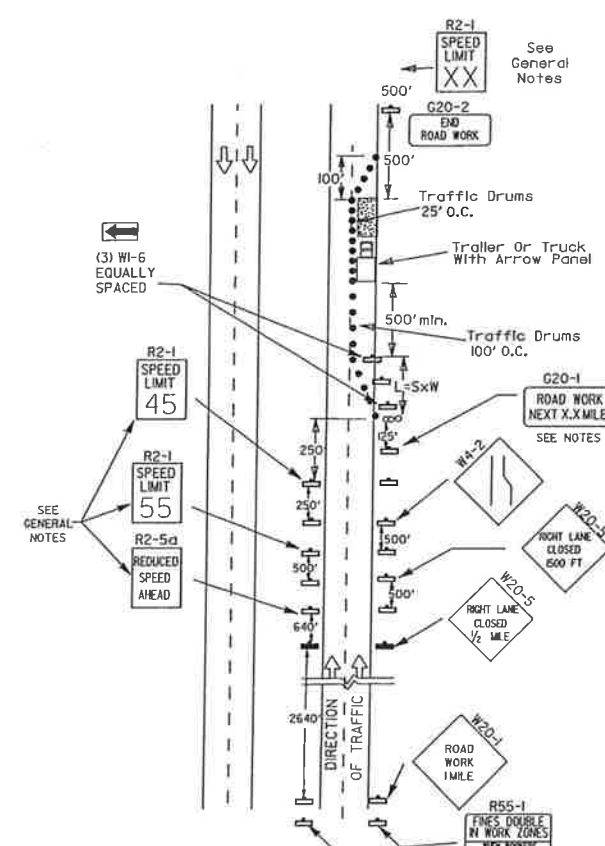


(B) Typical application - 3-lane oneway roadway where center lane is closed.

- KEY:
- Arrow Panel (if Required)
  - Channelizing Device
  - Traffic drum

GENERAL NOTES:

1. A speed limit reduction may be implemented ONLY when designated in the plan or when recommended by the Roadway Design Division.
2. When the existing speed limit is 55mph and the plans require a speed limit of 45mph, the R2-1(55) shall be omitted and the R2-5a shall be installed at that location. Additional R2-1(45) speed limit signs shall be installed at a maximum of 1 mile intervals. At the end of the work area a R2-1(XX) shall be installed to match original speed limit.
3. When the existing speed limit is 65mph and the plans require a speed limit of 55mph, the R2-1(65) shall be omitted. Additional R2-1(55) speed limit signs shall be installed at a maximum of 1 mile intervals. At the end of the work area a R2-1(XX) shall be installed to match original speed limit.
4. The maximum spacing between channelizing devices in a taper should be approximately equal in feet to the speed limit. Beyond the taper, maximum spacing shall be two times the speed limit or as directed by the Engineer.
5. Warning lights and/or flags may be mounted to signs or channelizing devices at night as needed.
6. Pavement markings no longer applicable which might create confusion in the minds of vehicle operators shall be removed or obliterated as soon as practicable.
7. The G20-1 sign will be required on jobs of over two miles in length. When the lane closure is not at the beginning of the project, the G20-1 sign shall be erected 125' in advance of the job limit. Additional W20-1(1 MILE) signs are not required in advance of lane closures that begin inside the project limits.
8. Flaggers shall use STOP/SLOW paddles for controlling traffic through work zones. Flags may be used only for emergency situations.
9. All plastic drums and cones shall meet the requirements of NCHRP-350 or Manual for Assessing Safety Hardware (MASH).
10. Trailer mounted devices such as arrow panels and portable changeable message signs shall be delineated by affixing conspicuity material in a continuous line on the face of the trailer. When placed on or adjacent to the shoulder and not behind a positive barrier, these devices shall be delineated by placing five (5) traffic drums, equally spaced along the traffic side of the device.

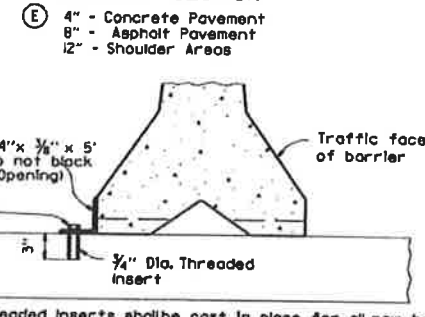
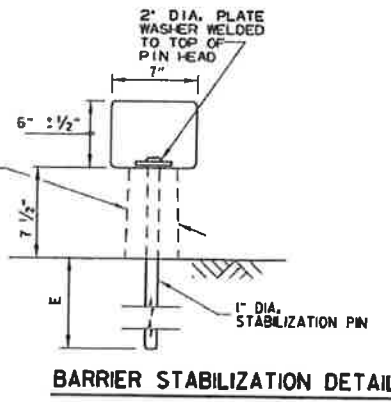
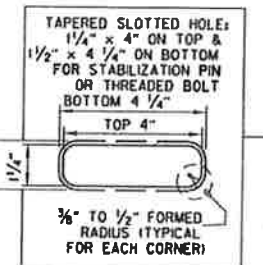
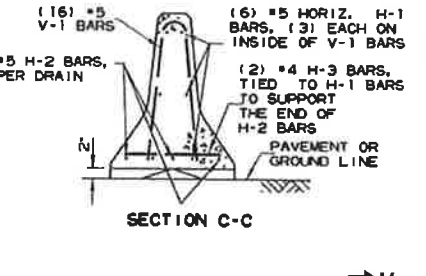
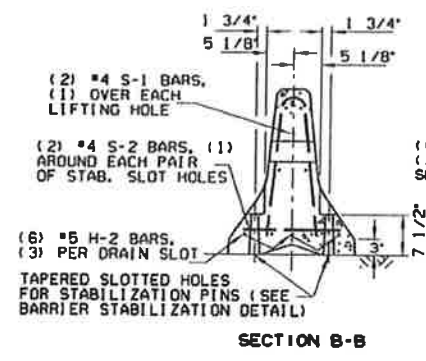
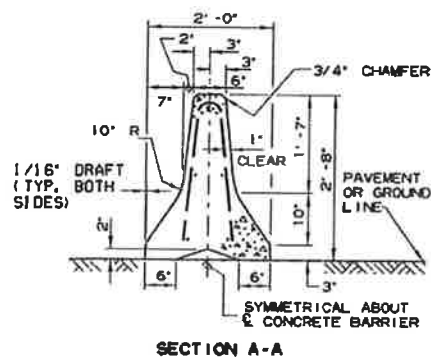
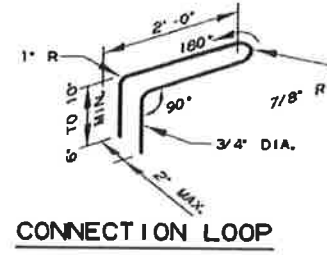
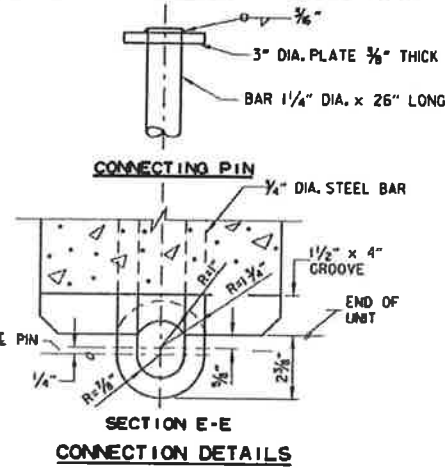


(C) Typical application - construction operations of intermediate to long term duration on a 4-lane divided roadway where half of the roadway is closed.

(D) Typical application - closing multiple lanes of a multi-lane highway.

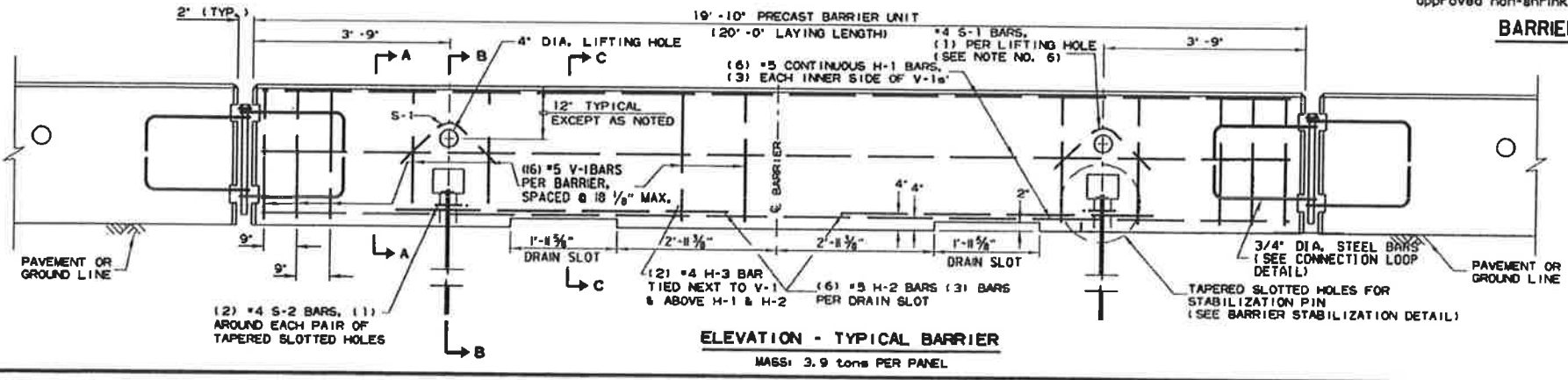
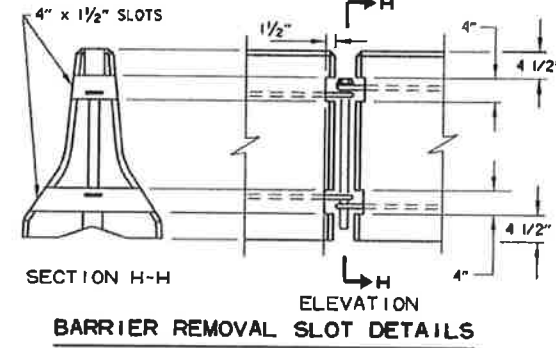
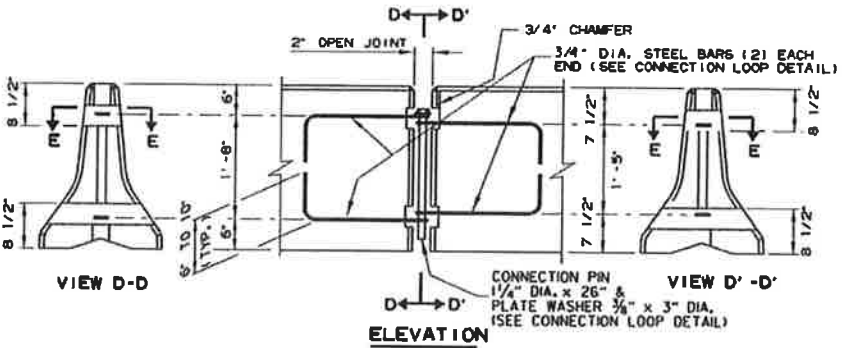


REINFORCING BAR TABLE PER BARRIER UNIT			
MARK	LOCATION	BAR SIZE (NO. BARS)	SKETCH
H-1	HORIZONTAL IN BARRIER TIED INSIDE V-1 BARS	#5 (6)	19'-3"
H-2	CENTERED ABOVE DRAIN SLOTS LONG. & TRANSVERSELY	#5 (6)	6'-6"
H-3	TIED ABOVE H-1 BARS TO SUPPORT H-2, TIED TO V-1	#4 (2)	1'-6"
S-1	OVER LIFT HOLES	#4 (2)	
S-2	HORIZ. AROUND SLOTS BETWEEN V-1'S & DRAIN SLOTS	#4 (2)	
V-1	VERTICAL IN BARRIER (3) EACH END & (2) AT EACH DRAIN SLOTS	#5 (16)	



NOTE: 3/4" Threaded inserts shall be cast in place for all new bridge decks and drilled and grouted for existing bridge decks. Inserts shall have a minimum ultimate load capacity of 8000 lbs. in tension. After removal of barrier, bolts, and angles, the inserts shall be filled with approved non-shrink epoxy.

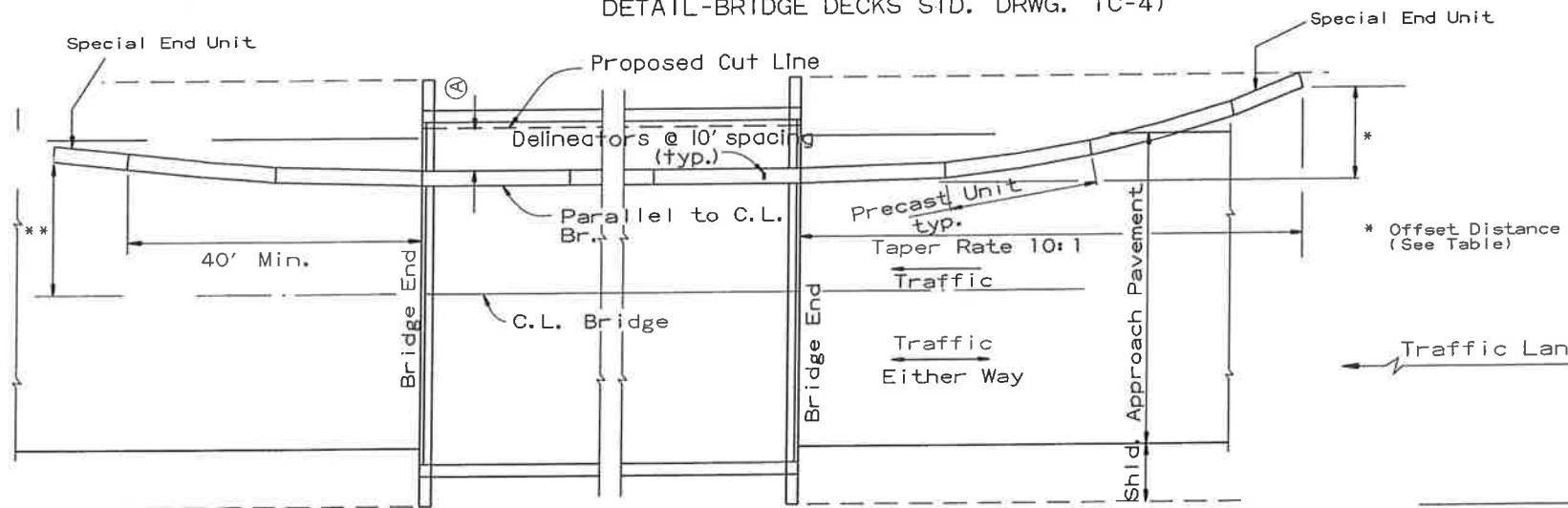
- General Notes**
- The contractor shall furnish the Precast Concrete Barrier Units and shall be responsible for the manufacture, shipment, storage, placement and removal. At the completion of the project, the precast units will remain the property of the contractor.
  - Materials shall meet the following minimum requirements: Concrete: 2500 psi compressive strength at 28 days. Reinforcing Steel: AASHTO M 31 or M 53, Grade 60. Structural Steel: AASHTO-M270 Grade 36 shall be used for the Connection Pin, Connection Loops, and Stabilization Pins. A One Piece Pin with a 3" rounded top may be used in place of the detailed Connection Pin. Delineators: Delineators shall be mounted at 10' spacing on top of precast barrier.  
  
In applications where barrier walls within 6 feet of a traffic lane, additional delineators shall be placed on the barrier at 10' spacing approximately one (1) foot from the top of the barrier. Delineators shall be on the AHTD Qualified Products List for Construction Concrete Barrier Markers. Delineator color shall be in accordance with the Manual on Uniform Traffic Control Devices. Payment for delineators shall be considered included in the price bid per Lin. Ft. for "Furnishing and installing Precast Concrete Barrier". The contractor shall certify to the Engineer that the material and the design used in the precast barrier units meets the requirements as shown on this standard drawing.
  - Other Precast Concrete Barriers that have been crash tested and approved by the Federal Highway Administration to meet the requirements of NCHRP-350 test level 3 or Manual For Assessing Safety Hardware (MASH) will be accepted in lieu of the barrier shown. Drain slots shall be provided as needed or as directed by the Engineer. The Contractor shall furnish a certification of NCHRP Report 350 or Manual For Assessing Safety Hardware (MASH) compliance for any other types of precast barrier to be used. The certification shall state that the precast concrete barrier meets the requirements of NCHRP Report 350 or Manual For Assessing Safety Hardware (MASH) and include a copy of the Federal Highway Administration's (FHWA) approval letter with all attachments. Precast concrete barrier units shall be fabricated and installed in accordance with crash testing and documentation provided in the FHWA approval letter. Mixing of shapes will not be allowed in a continuous line of units.
  - Dowel holes in pavement or bridge slabs that are to remain in place shall be filled. Holes in concrete pavement and bridge slabs shall be filled with an approved non-shrink epoxy grout. Holes in asphalt pavement shall be filled with an approved asphalt joint filler. Payment for drilling and filling holes to be included in the price for various barrier units.
  - Attach Units To Roadway Surface with Stabilization Pins and to Deck Slabs using bolts when required.
  - A 4" White PVC Sleeve may be used to form the Lifting Hole and if used the Sleeve is to be left in place.



DATE	REVISION	FILED
2-27-14	REVISED BARRIER STABILIZATION DETAIL	
10-15-09	ADDED REFERENCE TO MASH	
8-5-09	REV. NOTE 3 CONCERNING DRAIN SLOTS	
1-29-07	REVISED NOTE 3	
5-25-06	DELETED GENERAL NOTE 7	
1-18-04	REVISED BARRIER STABILIZATION DETAIL BRIDGE DECKS	
4-10-03	REVISED GENERAL NOTE 2	
8-22-02	ISSUED NEW DRAWING	

ARKANSAS STATE HIGHWAY COMMISSION  
STANDARD TRAFFIC CONTROLS FOR HIGHWAY CONSTRUCTION - TEMPORARY PRECAST BARRIER  
STANDARD DRAWING TC-4

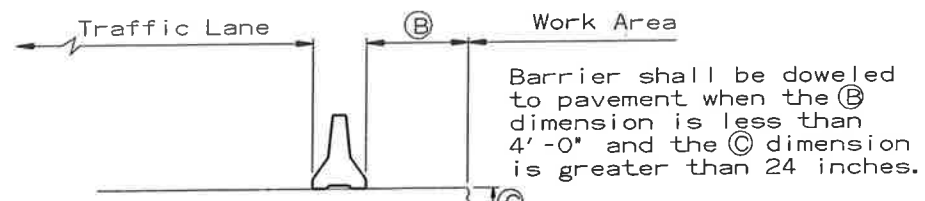
(A) 4 feet or greater preferred. If less than 4 feet, Precast Units shall be connected to slab (SEE BARRIER STABILIZATION DETAIL-BRIDGE DECKS STD. DRWG. TC-4)



**BARRIER PLACEMENT ALONG BRIDGE WITH OFFSET**

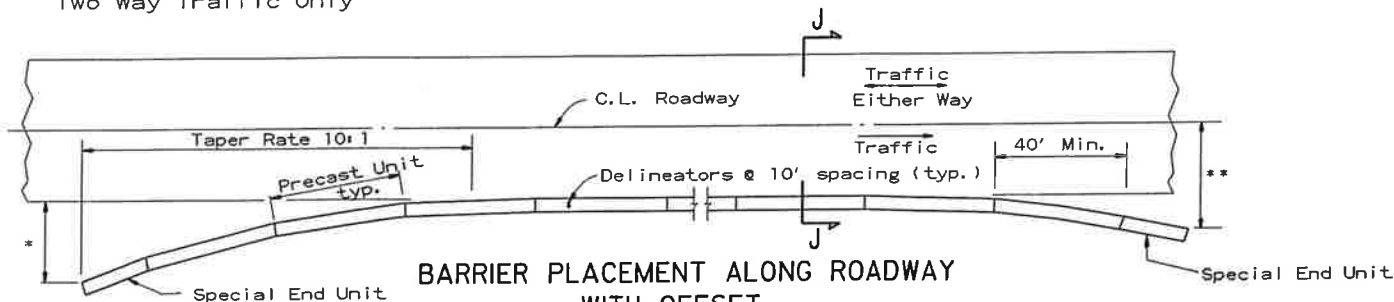
No Scale

\*\* Offset Distance for Two Way Traffic Only



**SECTION J-J**

No Scale



**BARRIER PLACEMENT ALONG ROADWAY WITH OFFSET**

No Scale

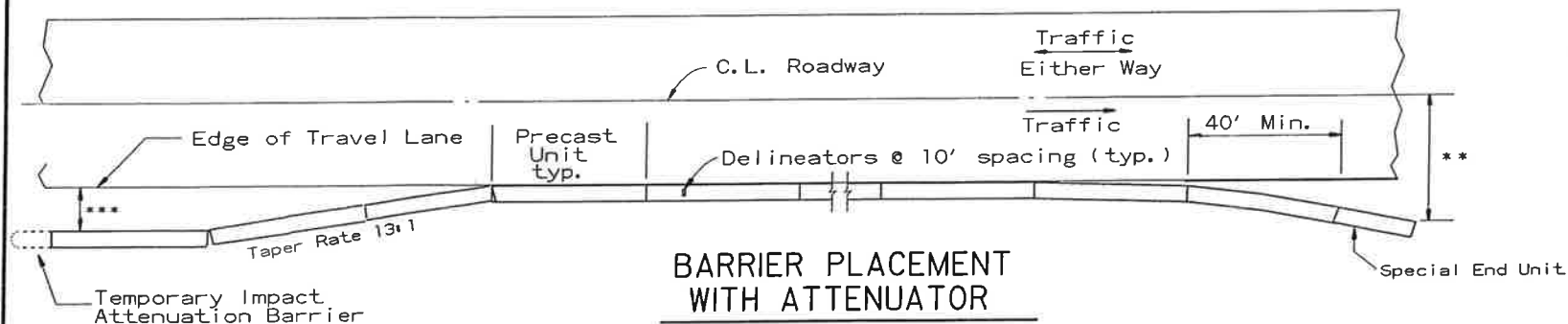
\* Offset Distance (See Table)

\*\* Offset Distance For Two Way Traffic Only

Offset Distance Table

Speed (MPH)	Offset Distance (FT.)
≤ 45	12
> 45	18

If offset distance is not attainable, then see 'Barrier Placement With Attenuator' Detail shown below.

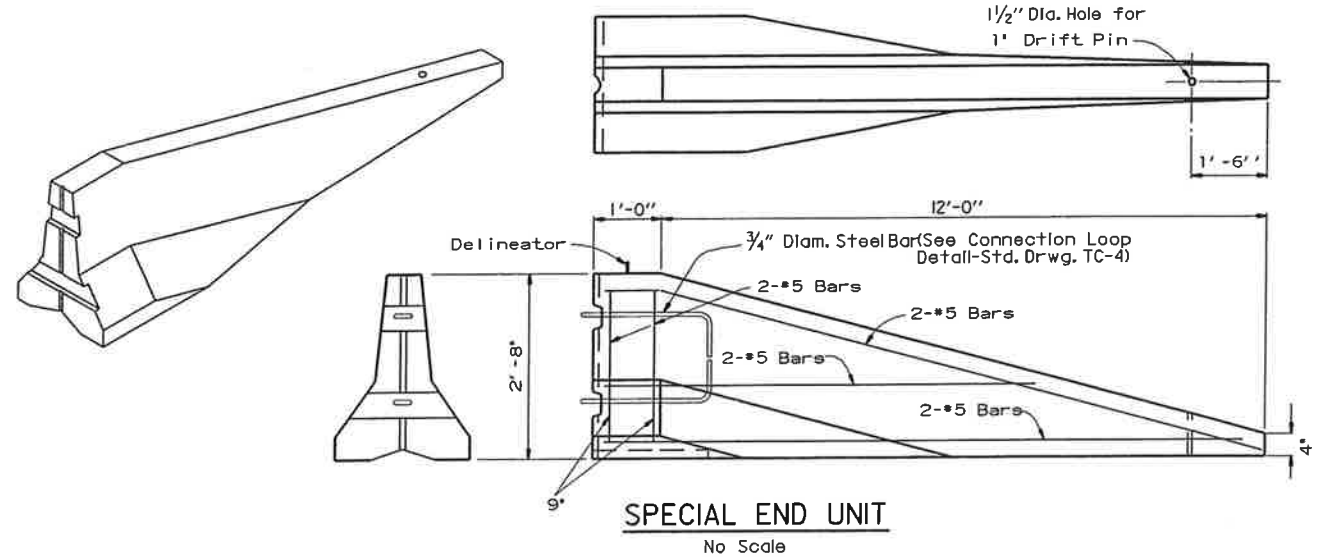


**BARRIER PLACEMENT WITH ATTENUATOR**

No Scale

\*\* Offset Distance For Two Way Traffic Only

\*\*\* Min. 3'-0" From Edge of Travel Lane to Nearest Edge of Attenuator



**SPECIAL END UNIT**

No Scale

General Notes

When shown on the Plans, the ends of the Temporary Precast Concrete Barrier shall be protected with an NCHRP-350 or Manual For Assessing Safety Hardware (MASH) approved Crash Cushion. Payment for Crash Cushions shall be made under the item of "Temporary Impact Attenuation Barrier."

DATE	REVISION	FILED
10-15-09	ADDED REFERENCE TO MASH	
5-25-06	REVISED BARRIER PLACEMENT	
8-22-02	ISSUED NEW DRAWING	

ARKANSAS STATE HIGHWAY COMMISSION

STANDARD TRAFFIC CONTROLS  
FOR HIGHWAY CONSTRUCTION -  
TEMPORARY PRECAST BARRIER

STANDARD DRAWING TC-5