

STANDARD BID CONDITIONS

M-17-001P

1. **ACCEPTANCE AND REJECTION:** The Arkansas State Highway and Transportation Department (AHTD) reserves the right to reject any or all bids, to accept bids in whole or in part (unless otherwise indicated by bidder), to waive any informalities in bids received, to accept bids on materials or equipment with variations from specifications where efficiency of operation will not be impaired, and to award bids to best serve the interest of the State.
2. **PRICES:** Unless otherwise stated in the Bid Invitation, the following will apply: (1) unit prices shall be bid, (2) prices should be stated in units of quantity specified (feet, each, lbs., etc.), (3) prices must be F.O.B. destination specified in bid, (4) prices must be firm and not subject to escalation, (5) bid must be firm for acceptance for 30 days from bid opening date. In case of errors in extension, unit prices shall govern. Discounts from bid price will not be considered in making awards.
3. **BID BONDS AND PERFORMANCE BONDS:** If required, a **Bid Bond** in the form of a cashier's check, certified check, or surety bond issued by a surety company, in an amount stated in the Bid Invitation, must accompany bid. **Personal and company checks are not acceptable as Bid Bonds.** Failure to submit a Bid Bond as required will cause a bid to be rejected. The Bid Bond will be forfeited as liquidated damages if the successful bidder fails to provide a required Performance Bond within the period stipulated by AHTD or fails to honor their bid. When a bidder claims and can show clear and convincing evidence that a material mistake was made in the bid and was not the bid intended, the bidder may be permitted to withdraw their bid prior to award without forfeiture of bid bond. Cashier's checks and certified checks submitted as Bid Bonds will be returned to unsuccessful bidders; surety bonds will be retained. The successful bidder will be required to furnish a **Performance Bond** in an amount stated in the Bid Invitation and in the form of a cashier's check, certified check, or surety bond issued by a surety company, unless otherwise stated in the Bid Invitation, as a guarantee of delivery of goods/services in accordance with the specifications and within the time established in the bid. **Personal and company checks are not acceptable as Performance Bonds.** In some cases, a cashier's check or certified check submitted as a Bid Bond will be held as the Performance Bond of the successful bidder. Cashier's checks or certified checks submitted as Performance Bonds will be refunded shortly after payment has been made to the successful bidder for completion of all terms of the bid; surety bonds will be retained. Surety bonds must be issued by a surety company authorized to do business in Arkansas, and must be signed by a Resident Local Agent licensed by the Arkansas State Insurance Commissioner to represent that surety company. Resident Agent's Power-of-Attorney must accompany the surety bond. Certain bids involving labor will require Performance Bonds in the form of surety bonds only (no checks of any kind allowed). These bonds shall not only serve to guarantee the completion of the work, but also to guarantee the excellence of both workmanship and material until the work is finally accepted and the provisions of the Plans, Specifications, and Special Provisions fulfilled. In such cases, the company issuing the surety bond must comply with all stipulations herein and must be named in the U. S. Treasury listing of companies holding Certificates of Authority as acceptable sureties on Federal Bonds and as acceptable reinsuring companies. Any excess between the face amount of the bond and the underwriting limitation of the bonding company shall be protected by reinsurance provided by an acceptable reinsuring company. Annual Bid and Performance Bonds on file with E & P Division must have sufficient unencumbered funds to meet current bonding requirements, or the bid will be rejected, unless the balance is submitted as set forth above, prior to bid opening.
4. **TAXES:** The AHTD is not exempt from Arkansas State Sales and Use Taxes, or local option city/county sales taxes, when applicable, and bidders are responsible to the State Revenue Department for such taxes. These taxes should not be included in bid prices, but where required by law, will be paid by the AHTD as an addition thereto, and should be added to the billing to the AHTD. The AHTD is exempt from Federal Excise Taxes on all commodities except motor fuels; and excise taxes should not be included in bid prices except for motor fuels. Where applicable, tax exemption certificates will be furnished by the AHTD.
5. **"ALL OR NONE" BIDS:** Bidders who wish to bid "All or None" on two or more items shall so stipulate on the face of bid sheet; otherwise, bid may be awarded on an individual item basis.
6. **SPECIFICATIONS:** Complete specifications should be attached for any substitution or alternate offered, or where amplification is necessary. Bidder's name must be placed on all attachments to the bid.
7. **EXCEPTIONS TO SPECIFICATIONS:** Any exceptions to the bid specifications must be stated in the bid. Any exceptions to manufacturer's published literature must be stated in the bid, or it will be assumed that bidder is bidding exactly as stated in the literature.
8. **BRAND NAME REFERENCES:** All brand name references in bid specifications refer to that commodity or its equivalent, unless otherwise stated in Bid Invitation. Bidder should state brand or trade name of item being bid, if such name exists.
9. **FREIGHT:** All freight charges should be included in bid price. Any change in common carrier rates authorized by the Interstate Commerce Commission will be adjusted if such change occurs after the bid opening date. Receipted common carrier bills that reflect ICC authorized rate changes must be furnished.
10. **SAMPLES, LITERATURE, DEMONSTRATIONS:** Samples and technical literature must be provided free of any charge within 14 days of AHTD request, and free demonstrations within 30 days, unless AHTD extends time. Failure to provide as requested within this period may cause bid to be rejected. Samples, literature and demonstrations must be substantially the same as the item(s) being bid, unless otherwise agreed to by AHTD. Samples that are not destroyed will be returned upon request at bidders expense. Samples from successful bidders may be retained for comparison with items actually furnished.
11. **GUARANTY:** Unless otherwise indicated in Bid Invitation, it is understood and agreed that any item offered or shipped on this bid shall be newly manufactured, latest model and design, and in first class condition; and that all containers shall be new, suitable for storage or shipment and in compliance with all applicable laws relating to construction, packaging, labeling and registration.
12. **BACKORDERS OR DELAY IN DELIVERY:** Backorders or failure to deliver within the time required may constitute default. Vendor must give written notice to the AHTD, as soon as possible, of the reason for any delay and the expected delivery date. The AHTD has the right to extend delivery if reasons appear valid. If reason or delivery date is not acceptable, vendor is in default.
13. **DEFAULT:** All commodities furnished will be subject to inspection and acceptance by AHTD after delivery. Default in promised delivery or failure to meet specifications authorizes the AHTD to cancel award or any portion of same, to reasonably purchase commodities or services elsewhere and to charge full increase, if any, in cost and handling to defaulting vendor. Applicable bonds may be forfeited.
14. **ETHICS:** *"It shall be a breach of ethical standards for a person to be retained, or to retain a person, to solicit or secure a State contract upon an agreement of understanding for a commission, percentage, brokerage, or contingent fee, except for retention of bona fide employees or bona fide established commercial selling agencies maintained by the contractor for the purpose of securing business."* (Arkansas Code, Annotated, Section 19-11-708).

ARKANSAS STATE HIGHWAY AND TRANSPORTATION DEPARTMENT

NOTICE OF NONDISCRIMINATION

The Arkansas State Highway and Transportation (Department) complies with the Americans with Disabilities Act of 1990, Section 504 of the Rehabilitation Act of 1973, Title VI of the Civil Rights Act of 1964 and other federal equal opportunity laws and therefore does not discriminate on the basis of race, sex, color, age, national origin, religion or disability, in admission or access to and treatment in Department programs and activities, as well as the Department's hiring or employment practices. Complaints of alleged discrimination and inquiries regarding the Department's nondiscrimination policies may be directed to Joanna P. McFadden, Section Head - EEO/DBE (ADA/504/Title VI Coordinator), P. O. Box 2261, Little Rock, AR 72203, (501) 569-2298, (Voice/TTY 711), or the following email address: Joanna.Mcfadden@arkansashighways.com.

Free language assistance for Limited English Proficient individuals is available upon request.

This notice is available from the ADA/504/Title VI Coordinator in large print, on audiotape and in Braille.

ARKANSAS STATE HIGHWAY AND TRANSPORTATION DEPARTMENT

SPECIAL PROVISION

LIQUIDATED DAMAGES

As specified in the Contract, liquidated damages for this project will be as shown in the following table:

WORKING DAY PROJECTS

ORIGINAL CONTRACT AMOUNT		RATE
FROM MORE THAN	TO AND INCLUDING	-----
\$ 0	\$ 50,000	\$ 400
50,000	100,000	700
100,000	500,000	800
500,000	1,000,000	1,100
1,000,000	2,000,000	1,300
2,000,000	5,000,000	1,500
5,000,000	10,000,000	1,900
10,000,000	15,000,000	2,000
15,000,000	20,000,000	2,100
20,000,000	-----	2,500

FIXED DATE PROJECTS

ORIGINAL CONTRACT AMOUNT		RATE
FROM MORE THAN	TO AND INCLUDING	-----
\$ 0	\$ 50,000	\$ 90
50,000	100,000	100
100,000	500,000	200
500,000	1,000,000	250
1,000,000	2,000,000	320
2,000,000	5,000,000	400
5,000,000	10,000,000	600
10,000,000	-----	750

**ARKANSAS STATE HIGHWAY AND TRANSPORTATION DEPARTMENT
SPECIAL PROVISION
JOB 42-02
FACILITIES MANAGEMENT RENOVATION
PROJECT MANUAL**

DESCRIPTION

The interior paneling, ceiling and floor demolition, installation of new drywall, ceiling texture, and new VCT flooring at the existing Facilities Management Building, located at 9003 Mabelvale Pike, Little Rock, Arkansas is to be completed as indicated on the Plans, as called for in these Specifications, or as directed by the Engineer. These Specifications and the Plans cover the furnishing of all materials, labor, tools, equipment, machinery drayage, rigging, fees, permits and any and all incidental items required to provide a complete, in place and operating Facility.

GENERAL CONDITIONS

The applicable portions of the General Provisions of the Arkansas State Highway and Transportation Department Standard Specifications for Highway Construction, Edition of 2014, as amended by Supplemental Specifications, together with applicable Special Provisions, shall govern where appropriate.

DEFINITIONS

- A. Wherever the term "Department" is used in these Specifications, it shall refer to the Arkansas State Highway and Transportation Department. All papers required for delivery to the Department shall be delivered to the attention of the Facilities Management Project Coordinator, Arkansas State Highway and Transportation Department Building, 10324 Interstate 30, Little Rock, Arkansas 72209. Other than bid, submittal data and other documents and correspondence should be submitted to the Facilities Management Project Coordinator. The Arkansas State Highway and Transportation Department and the Contractor are treated throughout the Contract Documents as if each were of the singular number and masculine gender.
- B. The term "Project" includes the building structure, adjacent structures, together with all related appurtenances such as excavations, utilities, etc.
- C. The term "Subcontractor", as employed herein, includes only those having a direct contract with the Contractor and it includes one who furnished material worked to a special design according to the Plans or Specifications of this work.
- D. Written notice shall be deemed to have been duly served if delivered in person to the individual or to a member of the firm or to an officer of the corporation for whom it is intended, or if delivered at or sent by registered mail to the last business address known to him who gives the notice.

**ARKANSAS STATE HIGHWAY AND TRANSPORTATION DEPARTMENT
SPECIAL PROVISION
JOB 42-02
FACILITIES MANAGEMENT RENOVATION
PROJECT MANUAL**

E. The laws of the place of building shall govern the construction of this Contract.

LOCAL CONDITIONS

Bidders are required to visit the site prior to submission of proposal to familiarize themselves with local conditions, including general characteristics of the site and accessibility of the work.

PRE-BID MEETING

A mandatory pre-bid meeting will be scheduled one week prior to the scheduled bid date. Bidders shall be notified by the Department of time, date and location.

PROGRESS SCHEDULE

Immediately after being awarded the Contract, the Contractor shall prepare an estimated Progress Schedule and submit same to the Department. It shall indicate the dates for the starting and completion of the various stages of construction.

SHOP DRAWINGS AND SAMPLES

The Contractor shall submit to the Department such shop and setting drawings and schedules as are required by the Specifications or that are requested by the Department. Shop Drawings submitted by the Contractor shall be prepared by a person thoroughly competent and qualified to prepare such Shop Drawings. Incomplete or poorly prepared Shop Drawings will be returned to the Contractor to be redrawn.

By submitting a Shop Drawing or Drawings, the Contractor represents and certifies that the above requirements have been complied with and that, in the review of the drawing or drawings by the Department, the Contractor will hold the Department harmless against claims for losses or injury caused by errors or omissions on the Shop Drawings made by the person, persons or company preparing these particular Shop Drawings.

The Contractor shall furnish for review, within two weeks, all submittals/samples required. The Department shall review such submittals/samples, with reasonable promptness, only for conformance with the design concept of the Project. The work shall be in accordance with selected submittals/samples.

**ARKANSAS STATE HIGHWAY AND TRANSPORTATION DEPARTMENT
SPECIAL PROVISION
JOB 42-02
FACILITIES MANAGEMENT RENOVATION
PROJECT MANUAL**

The following schedule is to be used as a guide only and in no way limits the data that may be requested where there is question concerning the quality or proper function of a particular product or piece of equipment:

SHOP AND/OR LAYOUT DRAWINGS:

- (1) Reinforcing Steel, Fabricating and Placing
- (2) Miscellaneous Metals
- (3) Wood and Metal Doors and Frames
- (4) Hardware Schedule
- (5) Plumbing Fixtures
- (6) Floor Drains, Clean Outs and Specialties

SAMPLES:

- (1) Brick
- (2) Paint and/or Other Finish
- (3) Storefront
- (4) Glass and Glazing
- (5) Finishes where selection is necessary

MATERIALS, APPLIANCES, EMPLOYEES

Unless otherwise stipulated, the Contractor shall provide and pay for all materials, labor, tools, equipment, transportation, sanitary and other facilities necessary for the execution and completion of the work.

Unless otherwise specified, all materials shall be new and both the result of the Contractor's workmanship and materials used shall be of good quality. The Contractor shall, if required, furnish satisfactory evidence as to the kind and quality of materials.

ROYALTIES AND PATENTS

The Contractor shall pay all royalties and license fees. He shall defend all suits or claims for infringement of any patent rights and shall save the Department harmless from loss of account thereof, including costs and attorney's fees.

**ARKANSAS STATE HIGHWAY AND TRANSPORTATION DEPARTMENT
SPECIAL PROVISION
JOB 42-02
FACILITIES MANAGEMENT RENOVATION
PROJECT MANUAL**

PERMITS, INSPECTIONS, AND TAXES

The Contractor shall give all necessary notices; obtain and pay for all permits, licenses, certificates, inspection and other legal fees required and other costs in connection with his work, both permanent and temporary, including utility taps and/or connections; file all necessary plans; prepare all documents and obtain all necessary approvals of all governmental departments having jurisdiction; and obtain required certificates of inspection for his work and deliver same to the Department.

The Contractor shall include in the work, without extra cost to the Department, all labor, materials, services, apparatus, drawings, and related items in order to comply with all laws, ordinances, rules and regulations, whether or not shown on the Plans and/or in these Specifications.

The Contractor shall include in his bid all State Sales Tax, Social Security Taxes, State Unemployment Compensation Insurance, and all other such items of like nature. It is the intent that the bid shall represent the total cost to the Department of all work included in this Contract.

INDEMNIFICATION

The Contractor shall indemnify and hold harmless the Department and his agents and employees from and against all claims, damages, losses and expenses including attorneys' fees arising out of or resulting from the performance of the work, provided that any such claim, damage, loss or expense (a) is attributable to bodily injury, sickness, disease or death, or to injury to or destruction of tangible property (other than the work itself) including the loss of use resulting therefrom, and (b) is caused in whole or in part by a negligent act or omission of the Contractor, any Subcontractor, anyone directly or indirectly employed by any of them or anyone for whose acts any of them may be liable, regardless of whether or not it is caused in part by a party indemnified thereunder.

The obligations of the Contractor shall not extend to the liability of the Department, his agents or employees arising out of (a) the preparation or approval of maps, drawings, opinions, reports, surveys, Change Orders, designs or Specifications, or (b) the giving of or the failure to give directions or instructions by the Department, his agents or employees provided such giving or failure to give is the primary cause of the injury or damage.

**ARKANSAS STATE HIGHWAY AND TRANSPORTATION DEPARTMENT
SPECIAL PROVISION
JOB 42-02
FACILITIES MANAGEMENT RENOVATION
PROJECT MANUAL**

ACCIDENT PREVENTION

Precaution shall be exercised at all times for the protection of persons and property. The safety provisions of applicable laws and building and construction codes shall be observed. Machinery, equipment and other hazards shall be guarded in accordance with safety provisions of the Manual of Accident Prevention in Construction, published by the Associated General Contractors of America, to the extent that such provisions are not in contravention of applicable laws. The Contractor shall be responsible for any damage which may be caused by workers during the performance of the work.

SUPERINTENDENT: SUPERVISION

The Contractor shall furnish during progress of the work, a competent Superintendent acceptable to the Department and any necessary assistants. The Superintendent shall not be changed except with the consent of the Department, unless the Superintendent proves to be unsatisfactory to the Contractor and ceases to be in his employ. The Superintendent shall represent the Contractor in his absence and all directions given to him shall be as binding as if given to the Contractor. The Department shall not be responsible for the acts or omissions of the Superintendent or his assistants.

ACCESS TO THE WORK

The Engineer or his representatives shall have access to the work at all times, shall be permitted to approach, enter or examine all stages or phases of the work as it progresses and shall have the authority to reject work which is defective in workmanship or material.

CHANGES IN THE WORK

The Department, without invalidating the Contract, may order extra work or make changes by altering, adding to or deducting from the work, the Contract Sum being adjusted accordingly. All such work shall be executed under the Conditions of the original Contract except that any claim for extension of time caused thereby shall be adjusted at the time of ordering such change.

Except in an emergency endangering life or property, no extra work or change shall be made by the Contractor unless in pursuance of a written order from the Department and no claim for an addition to the Contract Sum shall be valid unless so ordered.

**ARKANSAS STATE HIGHWAY AND TRANSPORTATION DEPARTMENT
SPECIAL PROVISION
JOB 42-02
FACILITIES MANAGEMENT RENOVATION
PROJECT MANUAL**

The value of any such extra work or change shall be determined in one (1) or more of the following ways:

- A. By estimate and acceptance in a lump sum. The Contractor shall be required, if called upon, to furnish the original bills and payrolls and support the statement with proper affidavits. The burden of proof of the costs rests upon the Contractor.
- B. By unit prices named in the Contract or subsequently agreed upon.
- C. By cost and percentage or by cost and a fixed fee, to be computed according to above formula.

DEDUCTIONS FOR UNCORRECTED WORK

If the Department deems it inexpedient to correct work injured or done not in accordance with the Contract, an equitable deduction from the Contract price shall be made therefore.

CORRECTION OF WORK BEFORE FINAL PAYMENT

The Contractor shall remove from the premises all work condemned by the Department as failing to conform to the Contract, whether incorporated or not, and the Contractor shall replace and re-execute his own work in accordance with the Contract and without expense to the Department and shall bear the expense of making good all work of other contractors destroyed or damaged by such removal or replacement.

WARRANTY

All materials and workmanship shall be guaranteed for a period of one (1) year from the date of the semi-final inspection by the Department. Final acceptance and processing of the final estimate will be made after the one (1) year Warranty period is complete. The Contractor's Performance Bond will be held until the Warranty period is complete.

The Contractor may provide a Maintenance Bond for 50% of the full amount of the Contract in order to release the Performance Bond during the Warranty period. The Maintenance Bond must be furnished prior to the semi-final inspection and extend to the termination of the Warranty period.

**ARKANSAS STATE HIGHWAY AND TRANSPORTATION DEPARTMENT
SPECIAL PROVISION
JOB 42-02
FACILITIES MANAGEMENT RENOVATION
PROJECT MANUAL**

THE DEPARTMENT'S RIGHT TO DO WORK

If the Contractor should neglect to prosecute the work properly or fail to perform any provision of this Contract, the Department, after seven (7) days written notice to the Contractor, may without prejudice to any other remedy he may have, make good such deficiencies and may deduct the cost thereof from the payment then or thereafter due the Contractor.

PAYMENTS WITHHELD

In addition to other appropriate justification therefore as authorized by law, the Department may withhold, or on account of subsequently discovered evidence, nullify the whole or a part of any certificate to such extent as may be necessary in his reasonable opinion to protect himself from loss on account of:

- A. Defective work not remedied.
- B. Claims filed or reasonable evidence indicating probable filing of claims.
- C. Failure of the Contractor to make payments properly to subcontractors or for material or labor.
- D. A reasonable doubt that the Contract can be completed for the balance then unpaid.
- E. Damage to another contractor.

DAMAGES

Should either party to this Contract suffer Damages because of any wrongful act or neglect of the other party or of anyone employed by him, claim shall be made in writing to the party liable within a reasonable time of the first observance of such damage and not later than the final payment, except as expressly stipulated otherwise in the case of faulty work or materials, and shall be adjusted by agreement or arbitration.

LIENS

The satisfaction of all Liens (including but not limited to labor, material, worker's compensation and otherwise) arising out of this Contract and incurred by the Contractor

**ARKANSAS STATE HIGHWAY AND TRANSPORTATION DEPARTMENT
SPECIAL PROVISION
JOB 42-02
FACILITIES MANAGEMENT RENOVATION
PROJECT MANUAL**

or his Subcontractor shall be exclusive responsibility of the Contractor and/or the Contractor's bonding company and the Department shall have the right to withhold payment to the Contractor or recover from the Contractor and/or the Contractor's bonding company all damages, including costs and attorney's fees, as a result of liens being filed or asserted as a result of the performance of this Contract.

ASSIGNMENT

Neither party to the Contract shall assign the Contract or sublet it as a whole without the written consent of the other, nor shall the Contractor assign any moneys due or to become due to him thereunder, without the previous written consent of the Department.

SEPARATE CONTRACTS

The Department reserves the right to let other contracts in connection with this work under similar General Conditions. The Contractor shall afford other contractors reasonable opportunity for the introduction and storage of their materials and the execution of their work, and shall properly connect and coordinate his work with theirs.

If any part of the Contractor's work depends for proper execution or results upon the work of any other contractor, the Contractor shall inspect and determine any defects in such work that render it unsuitable for such proper execution and results. His failure to so inspect and determine shall constitute an acceptance of the other contractor's work as fit and proper for the reception of this work, except as to defects which may develop in the other contractor's work after the execution of this work.

SUBCONTRACTS

The Contractor agrees that he is as fully responsible to the Department for the acts and omissions of his Subcontractors and suppliers and of persons either directly or indirectly employed by them, as he is for the acts and omissions of persons directly employed by himself.

Nothing contained in the Contract Documents shall create any contractual relation between any Subcontractor and the Department.

**ARKANSAS STATE HIGHWAY AND TRANSPORTATION DEPARTMENT
SPECIAL PROVISION
JOB 42-02
FACILITIES MANAGEMENT RENOVATION
PROJECT MANUAL**

USE OF PREMISES

The Contractor shall confine his apparatus, the storage of materials and the operations of his workers to limits indicated by the Engineer, and shall not unreasonably encumber the premises with his materials.

CUTTING, PATCHING

The Contractor shall do all cutting, fitting or patching of his work that may be required to make its several parts come together properly and fit it to receive or be received by work of other contractors shown upon, or reasonably implied by, the Plans and Specifications for the completed structure.

QUALITY OF MATERIAL

All material, appliances or appurtenances furnished under these Specifications shall be new and unused and shall be free from defects and imperfections. Any material, appliance or appurtenance thereto found to be defective shall be replaced by the Contractor at no cost to the Arkansas Highway and Transportation Department. All material shall comply with the requirements and applicable provisions of the Arkansas State Highway and Transportation Department Standard Specifications for Highway Construction, Edition of 2014, as amended by Supplemental Specifications, and these Specifications. Any material not covered in the Specifications above shall be approved by the Engineer.

SUBSTITUTION OF MATERIAL

Where a definite material is specified, it is not the intent to discriminate against any equal product of another manufacturer. It is the intent to set a definite standard. Open competition is expected, but in all cases, complete data must be submitted on all proposed substitutions and samples shall be submitted for comparison and testing when requested.

No substitution shall be made unless authorized in writing by the Department. If the Contractor intends to substitute an equal product, he shall make this fact known, in writing, to the Department within thirty (30) days after the award of the Contract. Otherwise, the Contractor will be required to furnish materials and specialties of the brands named in the Specifications. Should a substitution be accepted and should the

**ARKANSAS STATE HIGHWAY AND TRANSPORTATION DEPARTMENT
SPECIAL PROVISION
JOB 42-02
FACILITIES MANAGEMENT RENOVATION
PROJECT MANUAL**

substituted material prove defective or otherwise unsatisfactory for the service intended and within the guaranty period, the Contractor shall replace this material or equipment with the material or equipment specified by name at no cost to the Department.

PLANS AND SPECIFICATIONS

Titles to Sections and Paragraphs in these Contract Documents are introduced merely for convenience and shall not be taken as a correct or complete segregation of the several units of materials and labor. No responsibility, either direct or implied, is assumed by the Department for omissions or duplications by the Contractor, or his Subcontractor, due to real or alleged error in arrangement or matter in these Contract Documents.

The Contractor is cautioned to examine the Plans before submitting his bid, and in all cases large scale details shall take precedence over small scale general drawings. In cases where floor elevations are shown, they are to be checked back carefully against detailed sections, and the Contractor will be responsible for all heights shown or marked on small scale drawings.

PROPOSALS

All Bids shall be based upon the conditions at the site, the Specifications and the Plans for the Department's Job No. 42-02, and entitled "Facilities Management Renovation", Arkansas State Highway and Transportation Department. All bids shall include all general construction, plumbing and site improvement work required to remodel the existing Building. The unit bids shall include all work shown on the Plans and called for in the Specifications.

MEASUREMENTS

Before ordering any material or doing any work, the Contractor shall verify all Measurements at the building and shall be responsible for the correctness of same. No extra charge or compensation will be allowed on account of differences between architectural dimensions and the Measurements indicated on the drawings; any difference which may be found shall be submitted to the Department for consideration before proceeding with the work.

**ARKANSAS STATE HIGHWAY AND TRANSPORTATION DEPARTMENT
SPECIAL PROVISION
JOB 42-02
FACILITIES MANAGEMENT RENOVATION
PROJECT MANUAL**

COLD WEATHER

All concrete masonry, painting, or other work subject to damage by cold weather shall not be executed when the temperature falls below forty (40) degrees F., except upon permission of the Department and their approval of measures taken to protect the work from freezing; said permission of the Department is not to relieve the Contractor his responsibility for damage which may occur to the work from cold weather.

CLEANING UP

The Contractor shall at the completion of the work, remove all his rubbish from and about the building and all his tools, scaffolding and surplus materials and shall leave his work "broom-clean" or its equivalent.

All glass shall be cleaned free of paint or stains, then washed and left clean.

CONDITION OF BIDDING

The Contractor represents, as a Condition of Bidding and Contracting for the Project, that he is thoroughly familiar with all of the processes and methods necessary to safely construct and complete the Project according to the Plans and Specifications, including all necessary safety measures to protect property and persons from injury and loss. Such representation includes, but is not limited to, the use of and methods required for all materials specified, soil test information, scaffolding, bracing, shoring, etc.

SANITARY ARRANGEMENTS

The Contractor, at the beginning of the work, shall provide on the premises a suitable temporary convenience and enclosure for the use of all workmen on the job, shall maintain same in sanitary condition and remove same and all its contents at the completion of the Project and when directed by the Department.

CONSTRUCTION PLANS

The Department will furnish five (5) sets of Contract Plans and Specifications, without cost, to the General Contractor for his use in constructing the work.

**ARKANSAS STATE HIGHWAY AND TRANSPORTATION DEPARTMENT
SPECIAL PROVISION
JOB 42-02
FACILITIES MANAGEMENT RENOVATION
PROJECT MANUAL**

The General Contractor is to supply all Contract Plans and Specifications to his Subcontractors or material suppliers.

Additional sets or portions of Contract Plans and Specifications, beyond the five (5) sets furnished by the Department, that are requested by the General Contractor, will be furnished for the actual cost of printing at the General Contractor's expense.

FILE DRAWINGS

At the completion of this project, the General Contractor shall furnish to the Department a complete file of the final copies of all shop drawings used in the construction of this project.

COORDINATION OF WORK

As the work under this Contract includes the usual mechanical piping, ducts and grilles and electrical fixtures, the General Contractor shall give special attention to Coordination of Work by the various trades to provide uniform and symmetrical layout and spacing of the exposed components which will affect the finished architectural design and appearance. Where spacing and related locations are not specifically shown on the Plans, or where in doubt, the Contractor's Superintendent shall consult the Department's representative prior to installation of that part of the work. The location of electrical, telephone and radio control wiring outlets shall be verified with the Department prior to installation.

AS-BUILT DRAWINGS

The Contractor shall, during the progress of the work, keep an accurate record of all changes and corrections from the layouts shown on the Plans. Record of changes may be kept by accurately making all changes on a set of prints during the progress of the job. Exact location of all underground utility service entrances and their connections to utility mains as well as valves, etc., which will be concealed in the finished work, shall be accurately indicated on the Plans by measured distances. Upon completion of the work and prior to final payment, the Contractor shall furnish to the Department two (2) sets of "As-Built" prints legibly and accurately marked to indicate all changes, additions, deletions, etc., from the Contract Plans.

**ARKANSAS STATE HIGHWAY AND TRANSPORTATION DEPARTMENT
SPECIAL PROVISION
JOB 42-02
FACILITIES MANAGEMENT RENOVATION
PROJECT MANUAL**

SECTION A - INSULATION

FLEXIBLE BLANKET INSULATION

A. MATERIAL - Rock or glass wool, one (1) face vapor barrier, thickness as shown on Plans:

1. 3 ½" Sound Batt Insulation – All interior walls.

SECTION B - CARPENTRY AND MILLWORK

SCOPE

- A. CARPENTRY - Carpentry work includes the furnishing, framing, raising and erection of all structural woodwork, cutting and fitting for other trades and other carpentry work and materials necessary to complete the project as shown. Carpentry work shall include work forms for concrete work, all wood flooring, framing, bucks, plates, blocking, furring, stairs and gypsum board.
- F. MILLWORK - The Millwork, generally, consists of all wood finishing materials required to complete the building and includes cabinets, counters, shelving, trim and other Millwork.

LUMBER

- A. Lumber for structural carpentry items shall be Southern Pine, Spruce or Fir, graded and grade marked in compliance with standard grading rules, kiln dried to a moisture content of 15% or less.
- B. Framing material and boards not otherwise specified shall be No. 2, straight, full and square to the dimensions indicated and shall be free of shakes or waness.
- C. Framing for concrete forms may be No. 2 Common or better, except exposed concrete surfaces shall be formed as specified in "Concrete" Section.

GENERAL CARPENTRY

Wood framing, furring, stripping and blocking shall be laid out, installed and fitted as required by conditions encountered. All work shall be plumbed, leveled and braced with sufficient nails, spikes, bolts, etc., to ensure secure attachment and rigidity. Any piece

**ARKANSAS STATE HIGHWAY AND TRANSPORTATION DEPARTMENT
SPECIAL PROVISION
JOB 42-02
FACILITIES MANAGEMENT RENOVATION
PROJECT MANUAL**

of work or Carpentry material with a defect or defects that prevent it from serving its intended purpose satisfactorily, including crooked, warped, bowed or otherwise defective material, even if within the limits of grade specified, will be rejected and shall be replaced with an acceptable piece.

FINISH CARPENTRY

All interior finish to be smooth, properly membered or mitered. All lengths of lumber to be without joints on a straight run where possible, and where joints are necessary, they are to be made on an angle of 45 degrees against the light, accurately and neatly. Moldings shall be true to details, cleanly cut and sharp. Exposed surfaces shall be sanded to an even, smooth surface, ready for finish. Mill assemblies shall be joined with concealed nails or screws, mortise and tenons, dowels or glued blocks, in accordance with best mill practice and workmanship. Intersection molds shall be neatly coped. Flat members of wood trim shall be backed out or saw kerfed to prevent warping. Finish to be properly protected from dampness at all times until painted or varnished. Finish to be applied in accordance with the very best practice so that completed results will show as little of the joints as possible and no tool or machine marks or nail holes or nails.

PLYWOOD

- A. Plywood shall be of thickness noted on the Plans. Panels 1/4" thick shall be three (3) ply; panels 1/2" or thicker shall be five (5) or more plies.
- B. Plywood not otherwise noted on the Plans shall be Fir panels, with A grade faces for all visible sides.
- C. Plywood core to receive Formica surfacing shall have close grain veneer face, such as Birch or Gum.

WOODWORK

- A. All lumber used for Millwork items shall be kiln dried to a range of 8% to 12% moisture content.
- B. Interior woodwork, not otherwise noted or specified, shall be B or better grade Pine.
 - B. Use clear Philippine Mahogany for all trim in connection with Mahogany doors, wall paneling and cabinet work as shown.

**ARKANSAS STATE HIGHWAY AND TRANSPORTATION DEPARTMENT
SPECIAL PROVISION
JOB 42-02
FACILITIES MANAGEMENT RENOVATION
PROJECT MANUAL**

CABINET WORK

- A. Plastic-Laminate Cabinets: Custom grade.
1. Type of Construction: Frameless.
 2. Cabinet Door and Drawer Style: Flush overlay.
 3. Laminate Cladding: Horizontal surfaces other than tops, Grade HGS; postformed surfaces, Grade HGP; vertical surfaces, Grade HGS; edges, PVC edge banding, 0.12 inch thick; semi-exposed surfaces, Grade VGS.
 4. Drawer Sides and Backs: Thermoset decorative panels.
 5. Drawer Bottoms: Thermoset decorative panels.
- B. Cabinet Hardware
1. Butt Hinges: 2-3/4", semi-concealed five-knuckle steel hinges made from 0.095 inch thick metal.
 2. Wire Pulls: Back mounted, solid metal, 4 inches long, 5/16 inch in diameter.
 3. Catches: Magnetic catches, BHMA A156.9, B03141.
 4. Adjustable Shelf Standard and Supports: BHMA A156.9, B04102; with shelf brackets, B04112.
 5. Drawer Slides: BHMA A156.9, B05091, Grade 1HD-100
 6. Drawer Locks: BHMA A156.11, E07041.
 7. Exposed Hardware Finishes: Satin Chrome, Comply with BHMA A156.18 for BHMA code number indicated.

HARDWARE

Rough hardware including nails, screws, anchor bolts, wall plugs, etc., shall be installed in such types, sizes and quantities as indicated on Plans or as required for the secure anchorage of carpentry work. The millwork subcontractor shall install the cabinet hardware, the K&V standards, brackets and K&V clips.

Finish hardware scheduled in "Door Hardware Items" Section, shall be installed on wood and metal doors as listed under each Heading.

BASE

Furnish and install at all locations (except "ceramic tile" where floors and walls intersect) prefinished 4" vinyl base, color to be selected by Department from Mfg. standard colors.

**ARKANSAS STATE HIGHWAY AND TRANSPORTATION DEPARTMENT
SPECIAL PROVISION
JOB 42-02
FACILITIES MANAGEMENT RENOVATION
PROJECT MANUAL**

SECTION C – DOORS AND FRAMES

PRE-HUNG SOLID CORE WOOD DOORS

Doors shall be 1-3/8" thick solid core doors sized as shown on plans, covered with Birch veneer with hardwood stiles and rails with water resistant bond in a split jamb frame.

DOOR HARDWARE ITEMS

The various openings throughout shall be fitted with hardware as noted in the following schedule of hardware items. The hardware schedule is intended as a guide only for the type, quality and location of the hardware. The Hardware Subcontractor will prepare complete schedules and be responsible for all necessary quantities to complete the work. Hardware items shall be as follows:

A. Hinges:

1. Stainless-steel hinges with stainless-steel pins for exterior.
2. Non-removable hinge pins for exterior and public interior exposure.
3. Ball-bearing hinges for doors with closers and entry doors.
4. Three hinges per door

B. Latchsets:

1. Manufacturers: Subject to compliance with requirements, provide products by the following:
 - a. Schlage; an Allegion brand.
2. Lever handles on latchsets, Schlage Saturn Series.

C. Provide wall stops or floor stops for doors without closers.

D. Hardware Finishes:

1. Hinges: Matching finish of lockset/latchset.
2. Locksets, Latchsets, and Exit Devices: Satin chrome plated.
3. Other Hardware: Matching finish of latchset.

**ARKANSAS STATE HIGHWAY AND TRANSPORTATION DEPARTMENT
SPECIAL PROVISION
JOB 42-02
FACILITIES MANAGEMENT RENOVATION
PROJECT MANUAL**

E. Hardware Schedule:

1. Hardware Set No. 1: Hinges and Passage Set
2. Hardware Set No. 2: Hinges and Privacy Set

SECTION D – GYPSUM BOARD & CEILINGS

GYPSUM BOARD

Material shall be 5/8" thickness, Gypsum Board, with beveled edges as manufactured by the U. S. Gypsum Co., or approved equivalent.

- A. ATTACHMENT – Gypsum board shall be attached with Ring Shank "Sheetrock Nails" or "Drywall Screws" at not less than 8" centers. Joints shall occur at structural members, i.e. studs or trusses providing nailers if necessary. Nails/screws shall be "set" to receive finish. In areas receiving walls and ceilings, the ceilings shall be installed first.
- B. FINISHING - All joints shall be taped and floated (one (1) bedding application and two (2) finish applications) to give a smooth unbroken finish, free of defects, blemishes and undulations, and shall be sanded to provide a surface to accept the finish coat.
- C. Walls shall receive, after finishing, a light "stipple".

CEILINGS

A. ACOUSTICAL CEILINGS:

1. Furnish and install an acoustical tile ceiling, as indicated on the Plans, complete with mechanical suspension system.

**ARKANSAS STATE HIGHWAY AND TRANSPORTATION DEPARTMENT
SPECIAL PROVISION
JOB 42-02
FACILITIES MANAGEMENT RENOVATION
PROJECT MANUAL**

B. MATERIALS:

1. In all areas, ceiling tile shall be 2' x 2' x 5/8" thickness, Armstrong CORTEGA Lay-In, White # 704 or approved equivalent.
2. The suspension system shall be Heavy Duty Single Web Prelude Exposed Tee System, White, conforming to ASTM C635, as manufactured by Armstrong Corporation, or approved equivalent.
3. Main beams shall be single thickness web with 15/16" bottom flange. Main beam shall be rooted six inches (6"), center continuously along the length of its web to locate intersecting cross tees.
4. Cross tees shall be of single thickness web section design with 15/16" bottom flange. Cross tees shall have web ends die formed for tab lock or snap lock attachment to adjoining tee through the main beam. Web height shall be not less than 1-1/4".
5. Moldings shall have 15/16" exposed flanges, 0.020" thickness steel. Accessories shall be designed as an integral part of the grid system.
6. Suspend main beams from the building structure by not less than twelve (12) gauge galvanized hangers on 4'-0" centers.
7. Finish shall be factory applied, baked white, enamel finish.
8. The entire ceiling system shall be installed in accordance with manufacturer's recommendations.
9. The entire ceiling system shall be installed continuous, uninterrupted, and in a perfectly flat plane, free of imperfections and/or undulations.

SECTION E- CAULKING AND WATERPROOFING

WORK REQUIRED

The work required under this Section includes all labor, materials, equipment and services necessary for and reasonably incidental to the providing of all caulking and waterproofing as herein specified. All work shall be done by parties expert in this line of work.

**ARKANSAS STATE HIGHWAY AND TRANSPORTATION DEPARTMENT
SPECIAL PROVISION
JOB 42-02
FACILITIES MANAGEMENT RENOVATION
PROJECT MANUAL**

PREPARATION OF SURFACES

Before applying Caulking materials, the installer shall clean off all surfaces, removing all foreign matter such as dust, oil, grease, water or frost and leave the surfaces clean before the installation of his work. Where concrete surfaces occur, he shall make sure that the concrete is dry before the installation of his work.

CAULKING

Door, louver, fixed glass and window frames and other openings and joints in exterior walls shall be caulked with a polysulfide base sealant, Class B, non-sag Type I, based on liquid polysulfide polymer and licensed and approved by the Thiokol Chemical Corporation, or with one (1) part polyurethane sealant similar and equal to No. 230 gun grade "Vulkem" as manufactured by the Master Mechanics Company. Polyurethane sealant shall be of the non-sag type designed for use in both vertical and horizontal joints and meeting requirements of Federal Specification TT-S-230. Sealant shall be delivered to the job site in sealed containers, each of which shall bear manufacturer's name and product designation. Caulking shall be furnished in colors as selected to match adjacent materials. Primer, where required, shall be used as recommended by the manufacturer of the sealant used. Backing materials and preformed joint fillers shall be non-staining, compatible with sealant and primer and of a resilient nature, such as closed cell resilient foam, sponge rubber; or of a supporting type, such as closed cell rigid foam, cork or non-impregnated fiberboard. Materials impregnated with oil, bitumen materials shall not be used with polysulfide base sealant. Size and shape shall be as indicated by joint details on Plans. Install backing material or joint filler, at proper depth in joint to provide sealant dimensions as detailed. Backing material shall be of suitable size and shape so that, when compressed (25 to 50 percent), it will fit in joints as required. Sealant shall not be applied without backing material and, if necessary, bond-breaker strip. When using backing of hose or rod stock, roll the material into the joint to avoid length wide stretching. Hose or rod stock shall not be twisted or braided. Use bond-breaker strip between sealant and supporting type backing material. Bond-breaker strip shall be used in all joints where sufficient room for backing does not exist. Follow sealant manufacturer's instructions regarding mixing, surface preparation, priming and sealant application procedures. Clean adjacent surfaces free of sealant or soiling resulting from this work as work progresses. Use solvent or cleaning agent as recommended by sealant manufacturer. All finished work shall be left in a neat, clean condition. Interior Caulking shall be done at all places where unlike materials meet and joints do not close tight, using an oil base caulking compound meeting or exceeding all requirements of Federal Specification TT-C-598b, gun consistency, neutral color. Finish interior joints smooth with adjacent surfaces.

**ARKANSAS STATE HIGHWAY AND TRANSPORTATION DEPARTMENT
SPECIAL PROVISION
JOB 42-02
FACILITIES MANAGEMENT RENOVATION
PROJECT MANUAL**

GUARANTEE

The Contractor shall guarantee Caulking materials and workmanship, in writing, against leakage for a period of two (2) years after acceptance and shall make good at his own expense any such leakage which may develop within the period stated above.

SECTION F - GLASS AND GLAZING

SCOPE

Furnish and install Glass in doors, windows, all fixed interior and exterior Glass and framed Glass mirrors.

GLASS SIZES

All sizes for Glass shall be taken from the actual frames, doors and sash. This Contract contemplates all Glass to be set in place, and this Contractor shall assume all responsibility in regard to correct sizes.

GRADING

Comply with recommendations of Flat Glass Marketing Association Glazing Manual and Sealant Manual except where more stringent requirements are indicated.

Provide safety glass where indicated or required by authorities having jurisdiction.

Provide type of products indicated which comply with ANSI Z97.1 and testing requirements of 16 CFR Part 1201 for category II materials.

1. Subject to compliance with requirements, provide safety glass permanently marked with certification label of Safety Glazing Council (SGCC) or other certification agency acceptable to authorities having jurisdiction.

**ARKANSAS STATE HIGHWAY AND TRANSPORTATION DEPARTMENT
SPECIAL PROVISION
JOB 42-02
FACILITIES MANAGEMENT RENOVATION
PROJECT MANUAL**

GLASS SETTING

All Glass settings, cover members, and door frames for Type "B" doors shall consist of members, extrusions, accessories, etc., as required to result in a complete installation as required by the manufacturer.

Glazing compound shall be Bronze colored.

GLASS BREAKAGE

All Glass breakage caused by this Contractor in executing his work or caused by installation of faulty work shall be replaced without extra charge to the Department.

WINDOW GLASS

Exterior glass shall be 1" thick tinted Argon gas filled insulating glass. Interior glass shall be 1/4" thick glass. All glass shall be tempered as required by building code.

SECTION G – CARPET

SCOPE

The work required under this Section includes all labor, materials, and equipment and services necessary for the furnishing and installation of the carpet flooring.

CARPET TILE

Carpet tiles shall be 24" x 24" as manufactured by Shaw Philadelphia or approved equal, color and pattern shall be selected by the Department from the manufacturer's standard and regular line.

- A. CONSTRUCTION – Multi-level pattern loop
- B. FIBER CONTENT – Nylon
- C. DYE METHOD – Solution dyed

**ARKANSAS STATE HIGHWAY AND TRANSPORTATION DEPARTMENT
SPECIAL PROVISION
JOB 42-02
FACILITIES MANAGEMENT RENOVATION
PROJECT MANUAL**

- D. DENSITY – Greater than 4000
- E. TUFTED WEIGHT – 15.0
- F. WARRANTY – Lifetime Commercial Limited

INSTALLATION ACCESSORIES

- A. TROWELABLE LEVELING AND PATCHING COMPOUNDS - Portland cement based formulation provided by or recommended by carpet tile manufacturer. Do not use gypsum based compounds.
- B. CARPET ADHESIVES - Water-resistant, mildew resistant, and nonstaining, high solids, low VOC emitting formulations that are specifically recommended by the carpet manufacturer, as verified through compatibility and adhesion testing for the intended substrate and application, and that comply with flammability requirements for installed carpet.
- C. CARPET EDGING - Provide rubber composition carpet edging in single lengths wherever possible, keeping the number of joints or splices to a minimum. Provide in quantities and locations as job required based upon the recommended good practice of the industry; include in every location where carpet terminates and other flooring continues. Color to match adjacent carpet types.
- D. FLOOR SEALER - Type as recommended and manufactured by the carpet tile manufacturer for the applications indicated.

ATTIC STOCK

Provide 5 unopened boxes from the same dye lot to the Department.

INSTALLATION OF CARPET

- A. PREPERATION OF SUBFLOORS
 - 1. Remove coatings, including curing compounds, existing floor covering adhesive residues, and other substances that are incompatible with adhesives and that contain soap, wax, oil, or silicone, without using solvents. Use mechanical methods recommended in writing by the carpet manufacturer.

**ARKANSAS STATE HIGHWAY AND TRANSPORTATION DEPARTMENT
SPECIAL PROVISION
JOB 42-02
FACILITIES MANAGEMENT RENOVATION
PROJECT MANUAL**

2. Slab substrates are dry and free of curing compounds, sealers, hardeners, and other materials that may interfere with adhesive bond. Determine adhesion and dryness characteristics by performing bond and moisture tests recommended by the carpet manufacturer.
3. Use leveling and patching compounds recommended by flooring manufacturer for filling cracks, holes and depressions in the substrate. Surface shall be smooth, level and at proper elevation. Remove ridges, roughness and protrusions from concrete surfaces by grinding.
4. Broom and vacuum clean substrates to be covered immediately before installing carpet.
5. Carpet installation shall not commence until painting and finishing work are complete and ceiling and overhead work is tested, approved, and completed.
6. Proceed with installation only after unsatisfactory conditions have been corrected.

B. LAYING CARPET - Installation of carpet flooring shall be done by a manufacturer approved Subcontractor specializing in this type of work. The flooring shall be laid in a strict accordance with the recommended specifications of the manufacturer with joints tight and in true alignment. All tiles shall be laid with ¼ turn pattern. The tile and the areas that are to receive flooring shall have a 70 degree F. minimum temperature maintained for 24 hours before and during the time of laying tile. Concrete floors shall be thoroughly dry before any flooring is laid. The floor tile shall be installed continuous and uninterrupted with a uniform pattern.

CLEANING AND PROTECTION

CLEANING - As the carpeting is installed, remove and dispose of all trimmings, excess pieces of carpeting and laying materials from each area as it is completed. Vacuum carpeting with a commercial vacuum, having a cylindrical brush or beater bar and high suction. Remove adhesives, stains, and soil spots in accordance with the carpet manufacturer's recommendations.

PROTECTION - Protect carpeting against damage of every kind as damaged carpeting shall be rejected. Use non-staining cover material for protection. Tape joints of protective covering. Plastic and polyethylene sheet protective coverings shall not be permitted. Remove and replace rejected carpeting with new carpeting. At the completion of the work, remove covering, vacuum clean carpeting and remove soiling and stains (if any) to the satisfaction of the Department.

**ARKANSAS STATE HIGHWAY AND TRANSPORTATION DEPARTMENT
SPECIAL PROVISION
JOB 42-02
FACILITIES MANAGEMENT RENOVATION
PROJECT MANUAL**

SECTION H - RESILIENT TILE

SCOPE

The work required under this Section includes all labor, materials, and equipment and services necessary for the furnishing and installation of the vinyl composition tile flooring.

VINYL COMPOSITION TILE

Vinyl composition tile shall be 12" x 12" x 1/8" thick, in color and pattern selected by the Department from the manufacturer's standard and regular line and shall meet all requirements of Federal Specification SS-T-312, Type IV.

EDGE STRIP

Install beveled edge strips 1-1/8" wide where Resilient Tile adjoins other floor finish of lower level.

ADHESIVE

The adhesive used for installation of resilient flooring shall be of the type recommended by the manufacturer of the flooring for the specific type of flooring and the location and conditions of the flooring installation.

UNDERLAYMENT

Materials for filling cracks and leveling floor depressions shall be similar and equal to Flintcote Underlayment, Floorstone or Stonehard Resurfacer.

STRUCTURAL SURFACES

This subcontractor shall make a careful examination of all surfaces upon which his work is to be applied, and he shall notify the General Contractor and Department of any surface defects of any kind which he may find and which he would regard as unsuitable to receive his work.

**ARKANSAS STATE HIGHWAY AND TRANSPORTATION DEPARTMENT
SPECIAL PROVISION
JOB 42-02
FACILITIES MANAGEMENT RENOVATION
PROJECT MANUAL**

INSTALLATION OF TILE

- A. **PREPARING SUBFLOORS** - Sweep with a wire brush to remove all loose particles. Remove curing compounds by grinding or sanding. Remove paint or varnish with sander. Remove grease, oil or wax with a strong solution of trisodium phosphate and water. Cracks and depressions in concrete floors are to be filled in and feather edged to a level even surface, then smooth sanded before tile is laid.
- B. **LAYING FLOORING** - Installation of composition flooring shall be done by a manufacturer approved Subcontractor specializing in this type of work. The flooring shall be laid in a strict accordance with the recommended specifications of the manufacturer with joints tight and in true alignment. All tiles shall be laid with pattern parallel. The tile and the areas that are to receive flooring shall have a 70 degree F. minimum temperature maintained for 24 hours before and during the time of laying tile. Concrete floors shall be thoroughly dry before any flooring is laid. The floor tile shall be installed, except where masonry walls occur, continuous and uninterrupted with a uniform pattern.

CLEANING AND WAXING

When the flooring has sufficiently seated itself to permit cleaning, the floor shall be thoroughly cleaned with Johnson's "Step-Off". After cleaning, the flooring shall be given three (3) coats of Johnson's "Fortify" sealer and three (3) coats of Johnson's "Complete Wax", or approved equivalents. Materials shall be applied in accordance with manufacturer's recommendations.

GUARANTEE

All work performed under this Section shall be unconditionally guaranteed for a period of one (1) year from date of acceptance against defects in material or workmanship.

SECTION I - BUILDING SPECIALTIES

TOILET ACCESSORIES

Furnish and install the following accessories in each restroom:

**ARKANSAS STATE HIGHWAY AND TRANSPORTATION DEPARTMENT
SPECIAL PROVISION
JOB 42-02
FACILITIES MANAGEMENT RENOVATION
PROJECT MANUAL**

- A. Bobrick No. B-6806 Series Handicapped Bars: 1 - 48" long, 1-36" long, 1-18" long
- B. Bobrick No. B-165 Series Mirror: 24" W x 36" H

FINALLY

It is the intention that this Section shall provide a complete installation except as hereinbefore specifically excepted. All accessory construction and apparatus necessary or advantageous in the operation and testing of the work shall be included. The omission of specific reference to any part of the work necessary for such complete installation shall not be interpreted as relieving this Contractor from furnishing and installing such parts.

GENERAL

All materials and workmanship, which are a part of this Contract, shall be warranted against defects and imperfections for a period of one (1) year from date of acceptance by the Arkansas State Highway and Transportation Department.

METHOD OF MEASUREMENT

Facilities Management Renovations complete and in place, as indicated on the Plans, as called for in these Specifications, or as directed by the Engineer and accepted, will be measured for payment by the "Lump Sum".

BASIS OF PAYMENT

Work completed and accepted and measured as provided above, will be paid for at the lump sum price bid for " Facilities Management Renovation", which shall be full compensation for all materials, labor, tools, equipment, machinery, drayage, rigging, fees, permits, clean-up, guarantees and any and all incidental items required to complete the work.

PAY ITEM

PAY UNIT

Facilities Management Renovation

Lump Sum

DATE REVISED	DATE FILMED	DATE REVISED	DATE FILMED	FED. RD. DIST. NO.	STATE	FED. AID PROJ. NO.	SHEET NO.	TOTAL SHEETS
				5	ARK.			
				JOB NO.		R00000		
				PROJECT TITLE				

ARKANSAS STATE HIGHWAY AND TRANSPORTATION DEPARTMENT
CONSTRUCTION PLANS FOR:
FACILITIES MANAGEMENT RENOVATION
LITTLE ROCK, ARKANSAS
PULASKI COUNTY



**FACILITIES MANAGEMENT
 RENOVATION**
 Little Rock, Arkansas
 Pulaski County

JOB 42-02



ARK. HWY. DIST. NO. 6

GOVERNING SPECIFICATIONS:

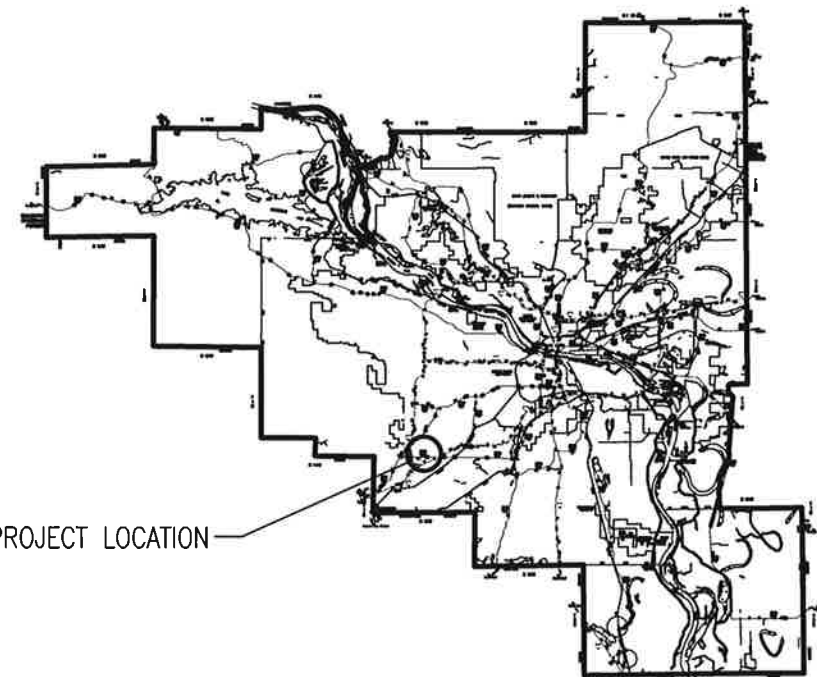
ARKANSAS STATE HIGHWAY COMMISSION STANDARD SPECIFICATIONS FOR HIGHWAY CONSTRUCTION, EDITION OF 2014, AND THE FOLLOWING SPECIAL PROVISIONS AND SUPPLEMENTAL SPECIFICATIONS:

- | | |
|-----------|--|
| ERRATA | ERRATA FOR THE BOOK OF STANDARD SPECIFICATIONS |
| SP 108-1 | LIQUIDATED DAMAGES |
| SS 100-1 | REQUIRED CONTRACT PROVISIONS FOR STATE CONSTRUCTION JOBS |
| SS 102-1 | BIDDING REQUIREMENTS AND CONDITIONS |
| SS 105-1 | CONSTRUCTION CONTROL MARKINGS |
| SS 105-2 | EQUIPMENT AND MATERIAL STORAGE ON BRIDGE STRUCTURES |
| SS 105-3 | CONTROL OF WORK |
| SS 107-1 | WORKER VISIBILITY |
| JOB 42-92 | FACILITIES MANAGEMENT RENOVATION PROJECT MANUAL |
| JOB 42-92 | BUILDERS RISK INSURANCE |
| JOB 42-92 | COMPETENCY OF BIDDERS |
| JOB 42-92 | COORDINATION OF WORK |



DATE: APRIL 3, 2016
 JOB NO: 42-02
 DRAWN BY: KB
 REVISIONS:

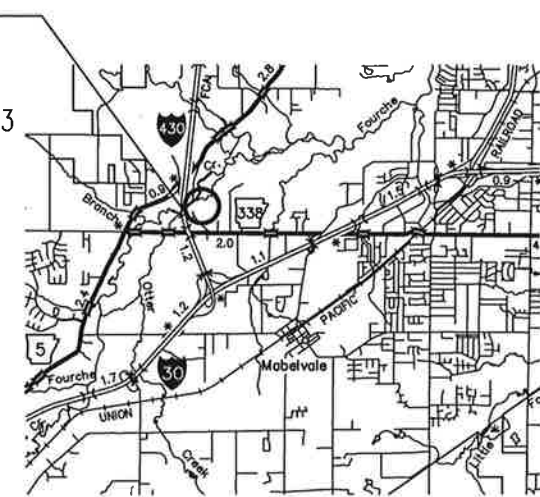
G1.1
 1 OF 5



PROJECT LOCATION

COUNTY MAP

PROJECT LOCATION
 911 ADDRESS:
 9003 MABLEVALE PIKE
 LITTLE ROCK, AR 72203



VICINITY MAP

DATE REVISED	DATE FILMED	DATE REVISED	DATE FILMED	FED. PROJ. NO.	STATE	FED. AID PROJ. NO.	SHEET NO.	TOTAL SHEETS
				5	ARK.			
						R00000		



ABBREVIATIONS

AD	AREA DRAIN	GALV	GALVANIZED
ADA	AMERICANS WITH DISABILITIES	INSUL	INSULATION
AFF	ABOVE FINISHED FLOOR	INT	INTERIOR
AFG	ABOVE FINISHED GRADE	MAX	MAXIMUM
ALUM	ALUMINUM	MBM	METAL BUILDING MANUFACTURER
ANOD	ANODIZED	MECH	MECHANICAL
BOT	BOTTOM	MIN	MINIMUM
CJ	CONTROL JOINT	MTL	METAL
CLG	CEILING	NIC	NOT IN CONTRACT
CLR	CLEAR	NO	NUMBER
CMU	CONCRETE MASONRY UNIT	NOM	NOMINAL
COL	COLUMN	OC	ON CENTER
CONC	CONCRETE	OPG	OPENING
CONT	CONTINUOUS	PLUMB	PLUMBING
DEMO	DEMOLITION	PLAS. LAM.	PLASTIC LAMINATE
DTL	DETAIL	PLYWD	PLYWOOD
DIA	DIAMETER	PVC	POLYVINYL CHLORIDE
DIM	DIMENSION	RBR	RUBBER
EA	EACH	RD	ROOF DRAIN
EJ	EXPANSION JOINT	REQ	REQUIRED
ELEC	ELECTRICAL	SIM	SIMILAR
ELEV	ELEVATION	SPEC	SPECIFICATION
EQ	EQUAL	SPK	SPRINKLER
EWC	ELECTRIC WATER COOLER	STRUCT	STRUCTURAL
EXIST	EXISTING	T&G	TONGUE AND GROOVE
FD	FLOOR DRAIN	TELE	TELEPHONE
FEC	FIRE EXTINGUISHER CABINET	TLT	TOILET
FFE	FINISHED FLOOR ELEVATION	TYP	TYPICAL
FIXT	FIXTURE	UNO	UNLESS NOTED OTHERWISE
FLR	FLOOR	VCT	VINYL COMPOSITION TILE
GA	GAUGE		

INDEX OF DRAWINGS

- G1.1 - COVER SHEET
- G1.2 - SHEET INDEX AND LEGENDS
- A1.1 - DOOR AND FINISH SCHEDULES AND CABINET ELEVATIONS
- A1.2 - DEMOLITION PLAN
- A1.3 - FLOOR PLAN

SYMBOL LEGEND

	DOOR AND FRAME
	HARDWARE SET
	WINDOW TAG
	ROOM NAME
	FINISH
	CEILING HEIGHT
	ROOM NUMBER
	MILLWORK ELEVATION TAG
	DRAWING NUMBER
	SHEET NUMBER
	KEYED PLAN NOTE
	KEYED DEMOLITION PLAN NOTE

MATERIAL LEGEND

	FACE BRICK
	CONCRETE BLOCK RE: PLANS FOR SIZE
	STUDS
	CONCRETE (SECTION)
	BATT. INSULATION
	FOAM OR RIGID INSULATION
	ROUGH FRAMING
	FINISHED WOOD

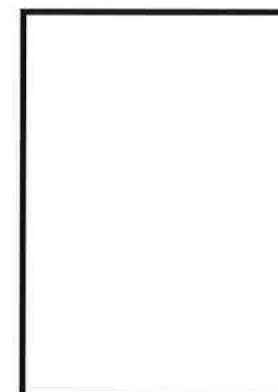
FACILITIES MANAGEMENT
RENOVATION
 Little Rock, Arkansas
 Pulaski County

DATE: APRIL 3, 2016
 JOB NO: 42-02
 DRAWN BY: KB
 REVISIONS:

G1.2

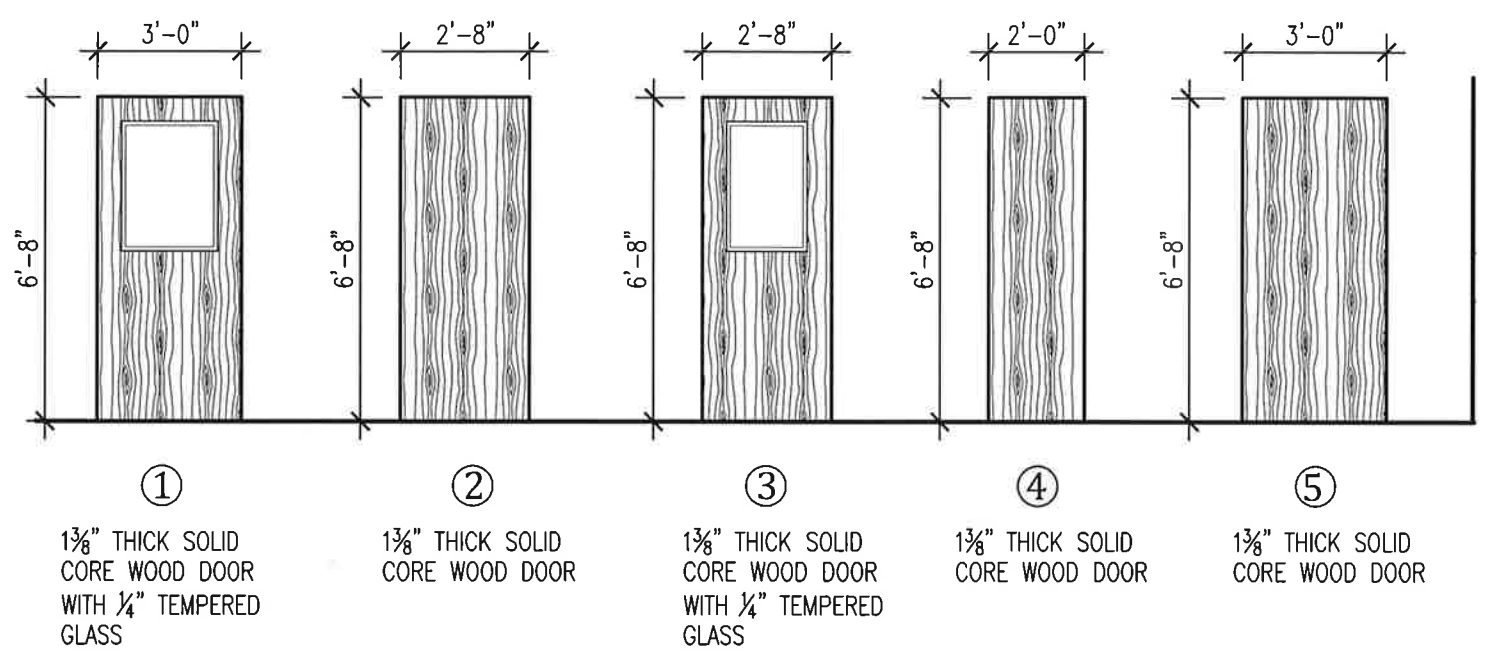


FACILITIES MANAGEMENT
RENOVATION
 Little Rock, Arkansas
 Pulaski County



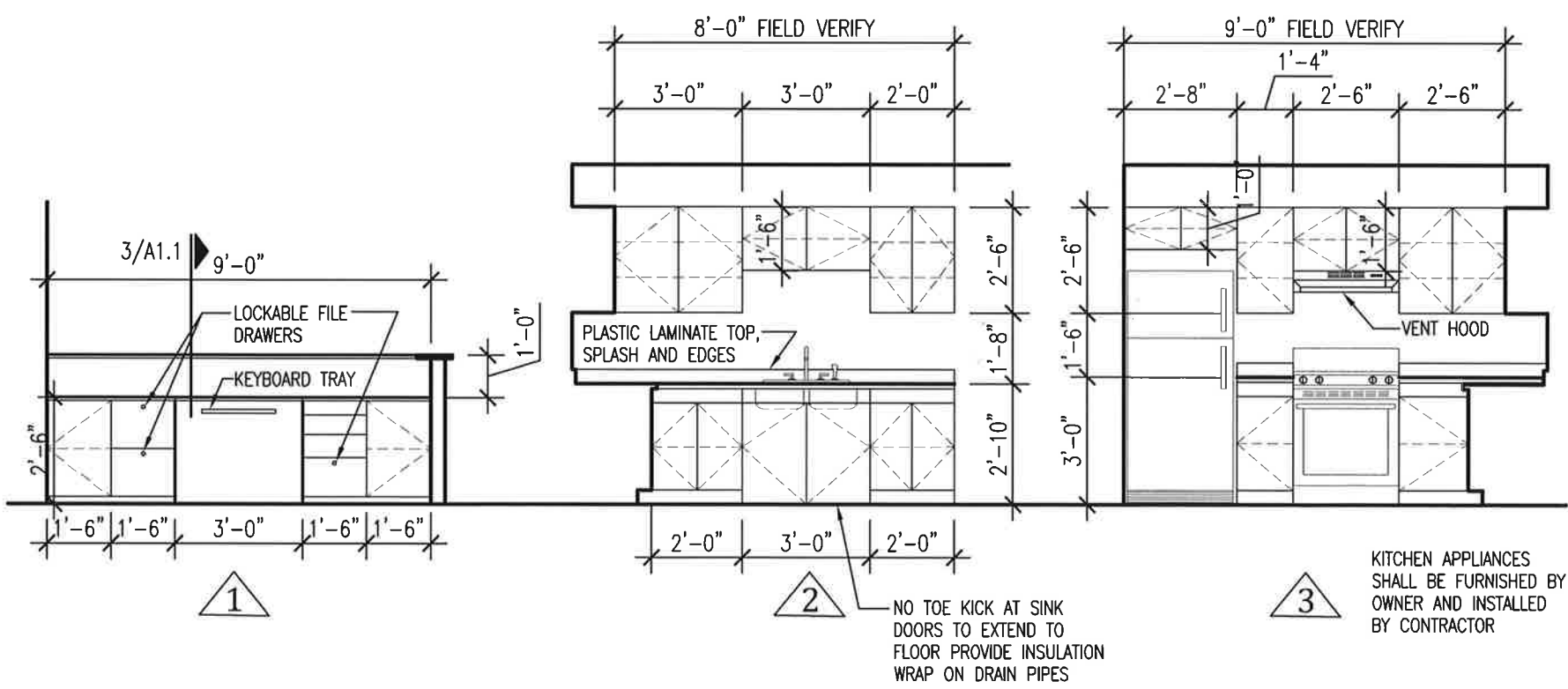
DATE: APRIL 3, 2016
 JOB NO: 42-02
 DRAWN BY: KB
 REVISIONS:

A1.1
 3 OF 5

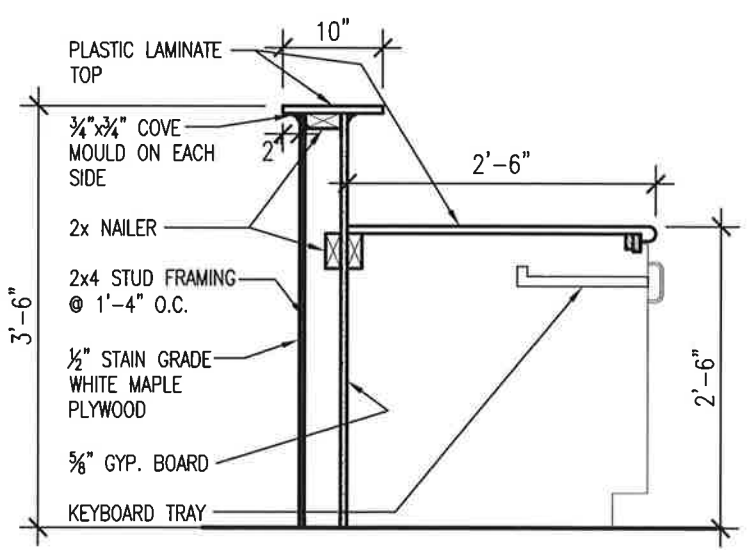


1 DOOR SCHEDULE
 SCALE: 1/4" = 1'-0"

MATERIAL		ROOM FINISH MARK						COMMENTS
		A	B	C	D	E	F	
FLOOR	VINYL COMPOSITION TILE	●		●				
	CARPET		●					
BASE	4" RUBBER BASE	●	●	●				
WALLS	GYP, PAINT SEMI-GLOSS	●	●	●				
W/SCOT	NONE	●	●	●				
CEILING	EXISTING GYP. BOARD, PAINT	●	●					
	2'x2' ACOUSTICAL LAY-IN			●				



2 CABINET ELEVATIONS
 SCALE: 1/4" = 1'-0"



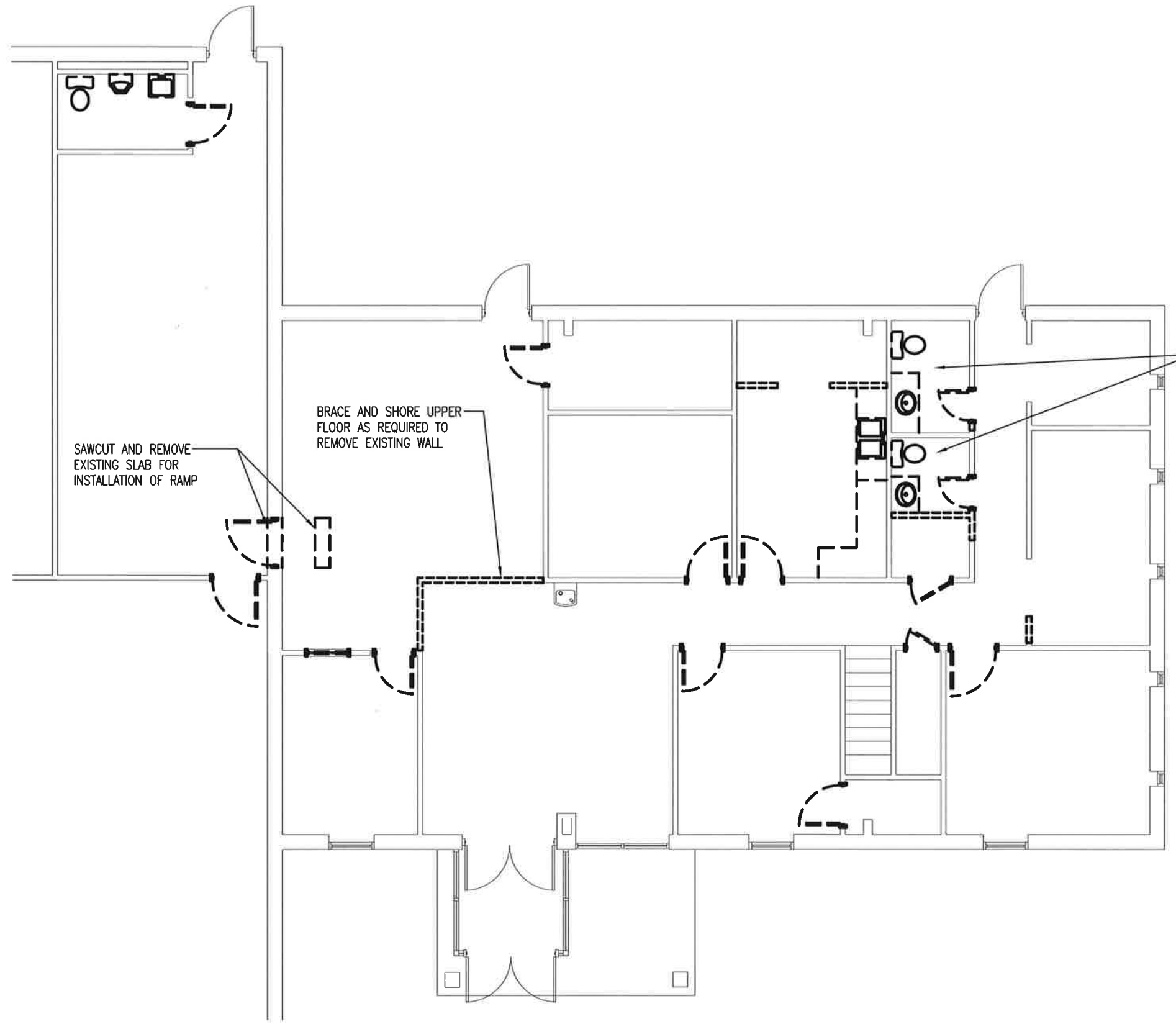
3 RECEPTION DESK DETAIL
 SCALE: NO SCALE



**FACILITIES MANAGEMENT
RENOVATION**
Little Rock, Arkansas
Pulaski County

GENERAL NOTE:

1. OWNER SHALL PROVIDE THE REMOVAL OF ELECTRICAL AND PLUMBING.



REMOVE EXISTING CEILINGS AS REQUIRED TO INSTALL NEW EXHAUST FAN DUCTWORK PATCH AND REPAIR CEILINGS ONCE INSTALLATION OF DUCTWORK IS COMPLETE. DUCTWORK AND INSTALLATION SHALL BE PROVIDED BY OWNER.

SAWCUT AND REMOVE EXISTING SLAB FOR INSTALLATION OF RAMP

BRACE AND SHORE UPPER FLOOR AS REQUIRED TO REMOVE EXISTING WALL

DEMOLITION NOTES:

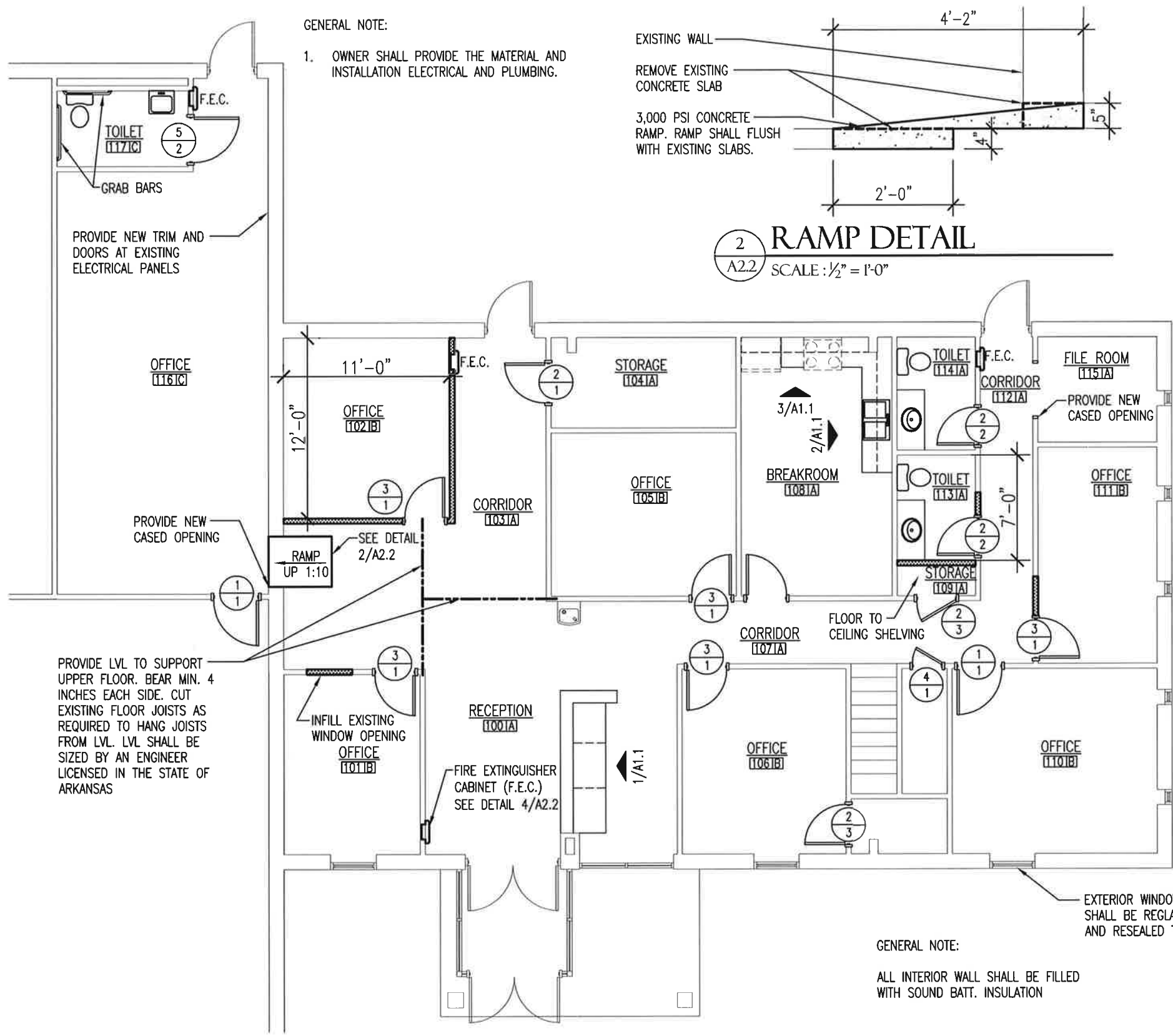
1. REMOVE EXISTING WALLS, DOORS, PLUMBING FIXTURES AND CABINETS SHOWN DASHED ON PLAN.
2. REMOVE EXISTING FLOOR COVERINGS.
3. REMOVE EXISTING WOOD PANELING AND TRIM ON EXISTING WALLS
4. REMOVE EXISTING POPCORN FINISH ON CEILINGS
5. REMOVE EXISTING EXTERIOR WINDOW GLAZING.
6. PATCH AND REPAIR ANY ROTTED, OR DAMAGED EXTERIOR WALL FRAMING AS DIRECTED BY OWNER.

1 DEMOLITION PLAN
A2.1 SCALE : 1/8" = 1'-0"

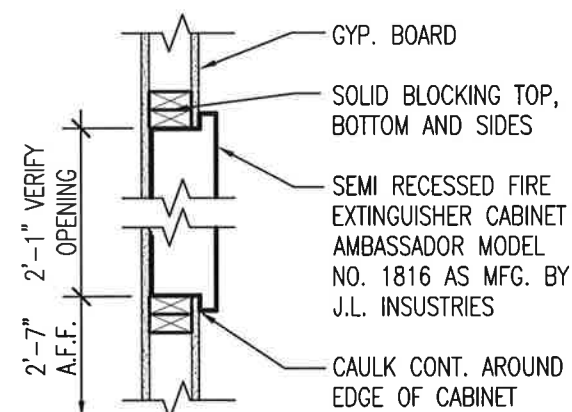
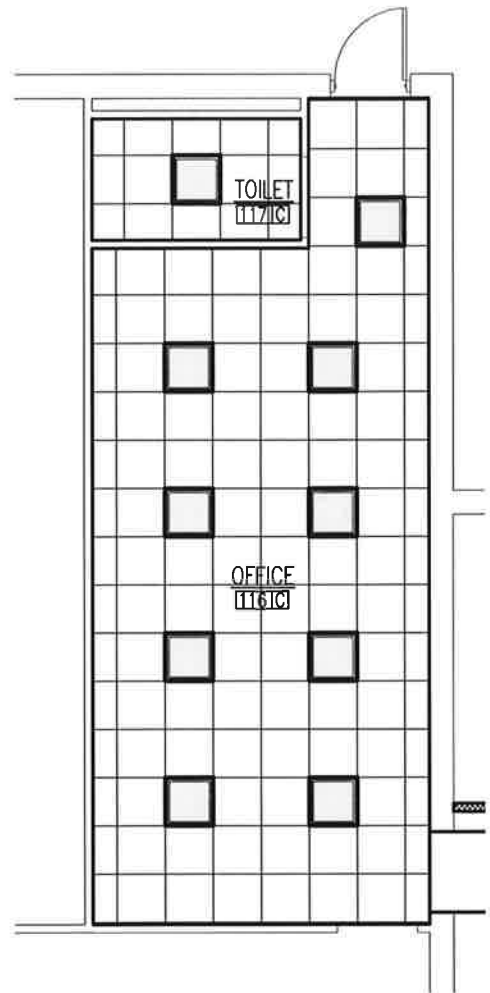
DATE: APRIL 3, 2016
JOB NO: 42-02
DRAWN BY: KB
REVISIONS:



**FACILITIES MANAGEMENT
RENOVATION**
Little Rock, Arkansas
Pulaski County



2 RAMP DETAIL
A2.2 SCALE: 1/2" = 1'-0"



4 FIRE EXTINGUISHER CABINET DETAIL
A2.2 SCALE: 1/2" = 1'-0"

1 FLOOR PLAN
A2.2 SCALE: 1/8" = 1'-0"

DATE: APRIL 3, 2016
JOB NO: 42-02
DRAWN BY: KB
REVISIONS: