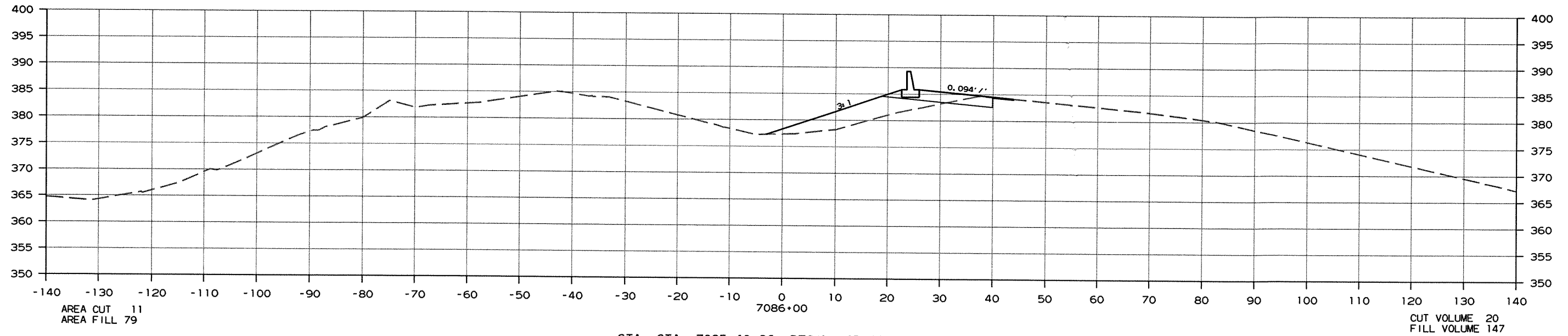
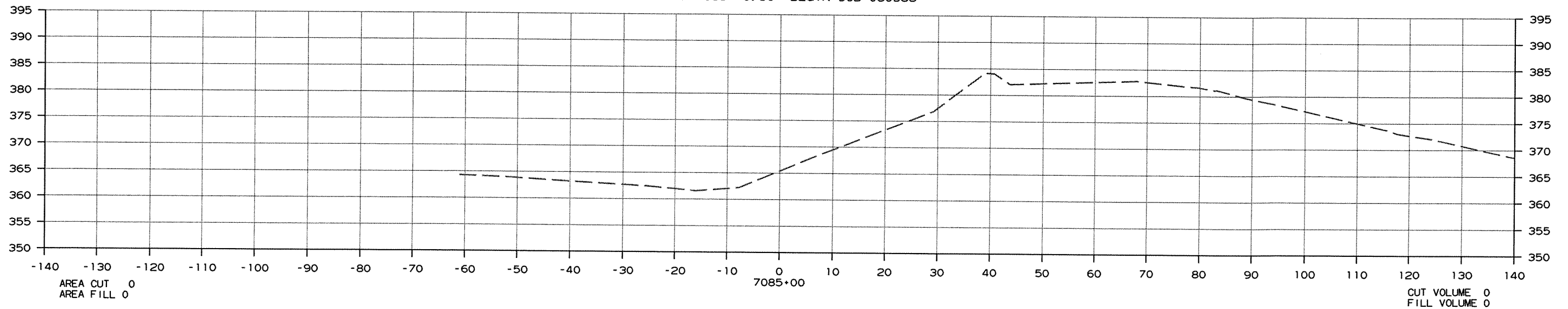


DATE REVISED	DATE FILMED	DATE REVISED	DATE FILMED	FED. RD. DIST. NO.	STATE	FED. AID PROJ. NO.	SHEET NO.	TOTAL SHEETS
				6	ARK.			
				JOB NO.	080388		292	452

② CROSS SECTIONS



STA. STA. 7085+40.86- BEGIN JOB 080388

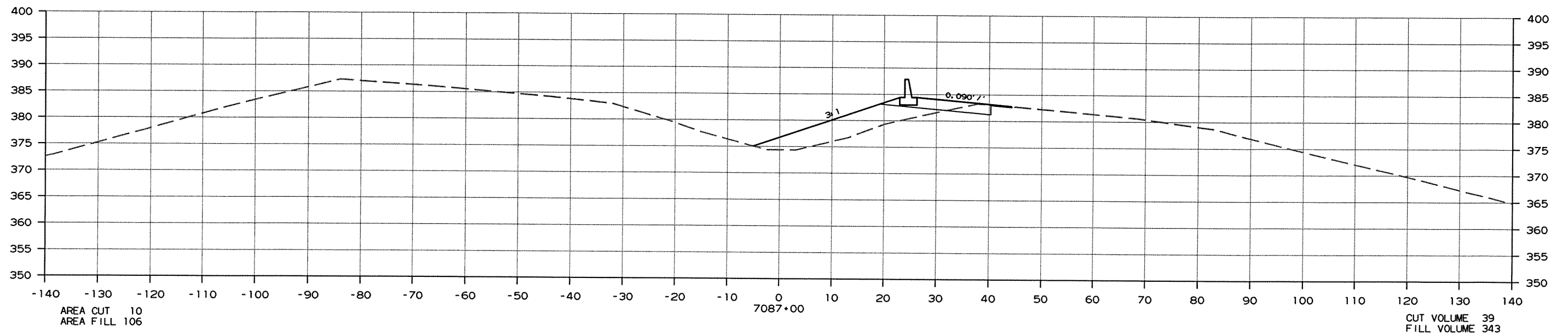
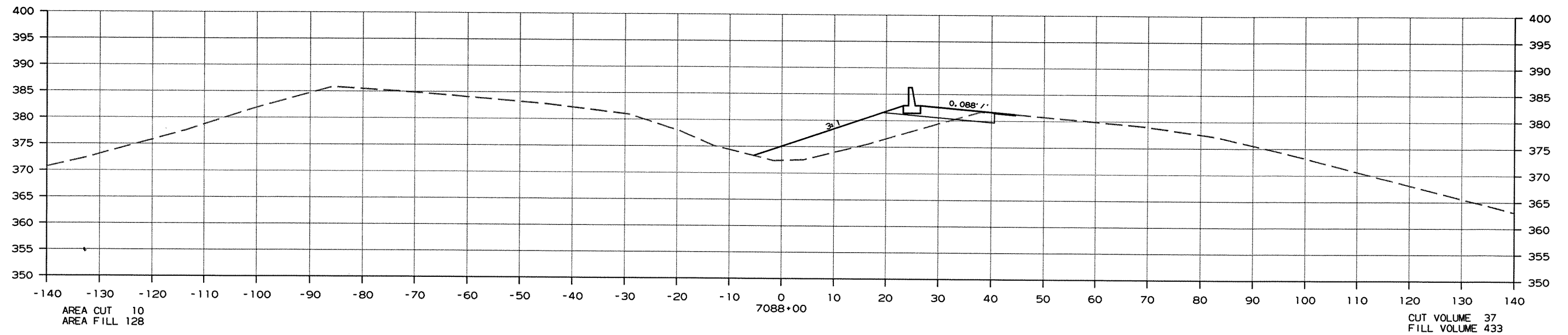


CROSS SECTION STA. 7085+00 TO STA. 7086+00

10/26/2011
FIX.DGN

DATE REVISED	DATE FILMED	DATE REVISED	DATE FILMED	FED. RD. DIST. NO.	STATE	FED. AID PROJ. NO.	SHEET NO.	TOTAL SHEETS
				6	ARK.			
						JOB NO. 080388	293	452

2 CROSS SECTIONS

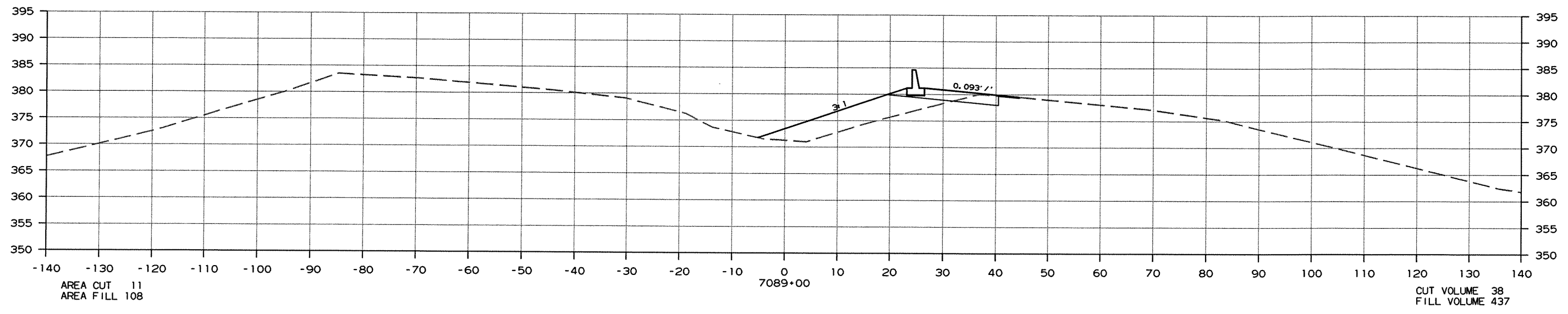
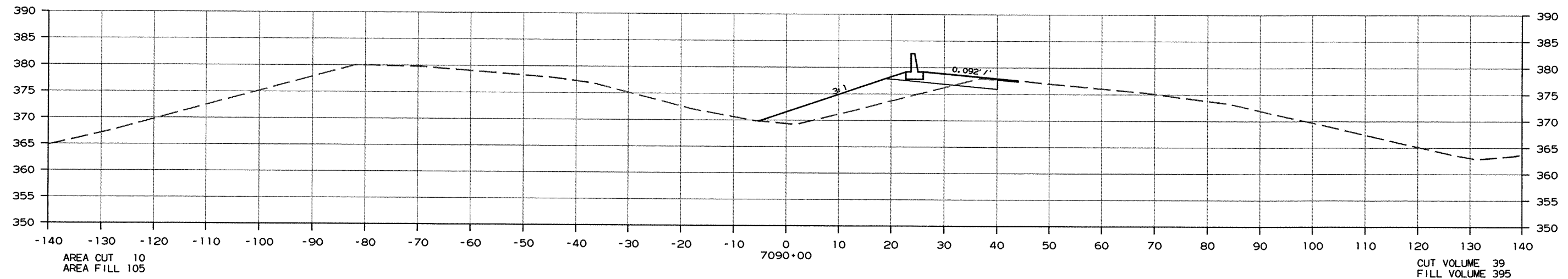


CROSS SECTION STA. 7087+00 TO STA. 7088+00

10/26/2011
FIX.DGN

DATE REVISED	DATE FILMED	DATE REVISED	DATE FILMED	FED. RD. DIST. NO.	STATE	FED. AID PROJ. NO.	SHEET NO.	TOTAL SHEETS
				6	ARK.			
				JOB NO.	080388		294	452

② CROSS SECTIONS

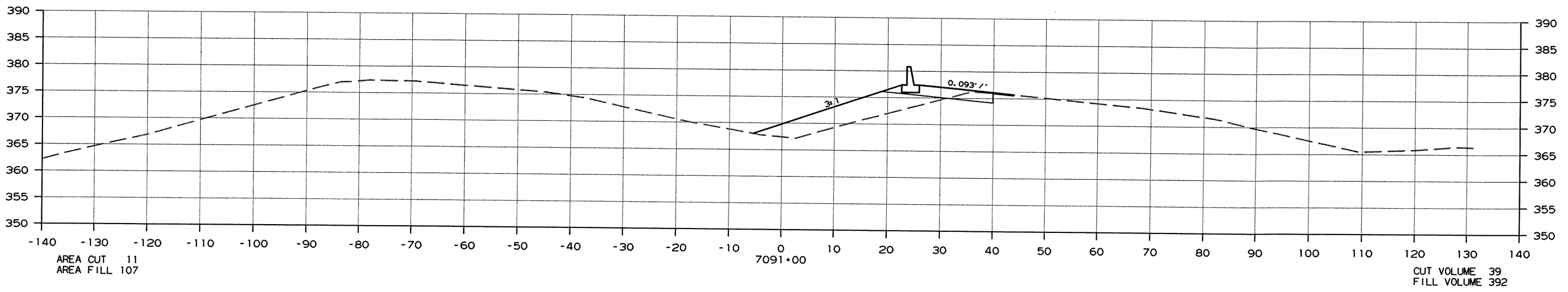
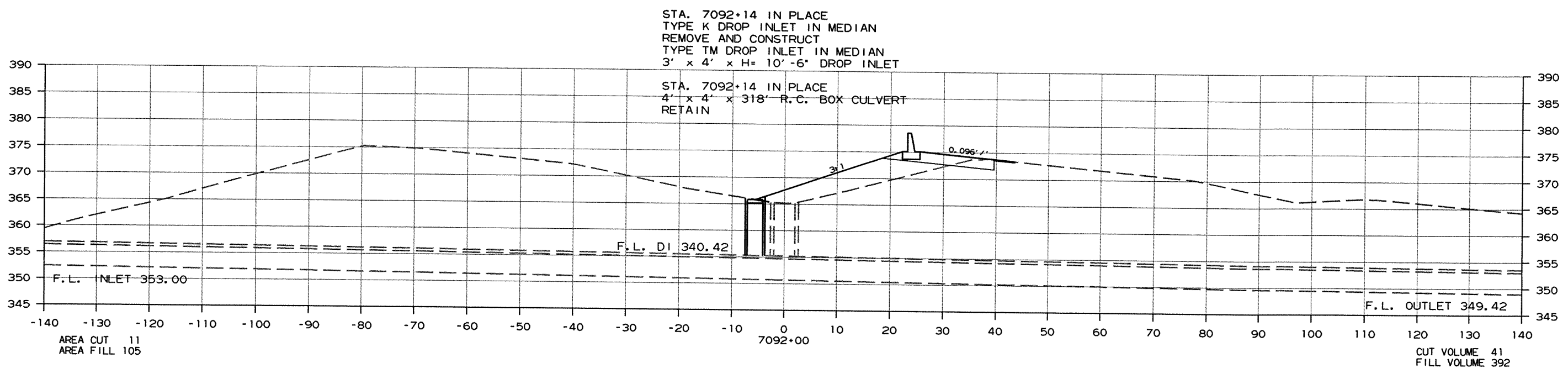


CROSS SECTION STA. 7089+00 TO STA. 7090+00

FIX.DGN 10/26/2011

DATE REVISED	DATE FILMED	DATE REVISED	DATE FILMED	FED. RD. DIST. NO.	STATE	FED. AID PROJ. NO.	SHEET NO.	TOTAL SHEETS
				6	ARK.			
						JOB NO. 080388	295	452

② CROSS SECTIONS

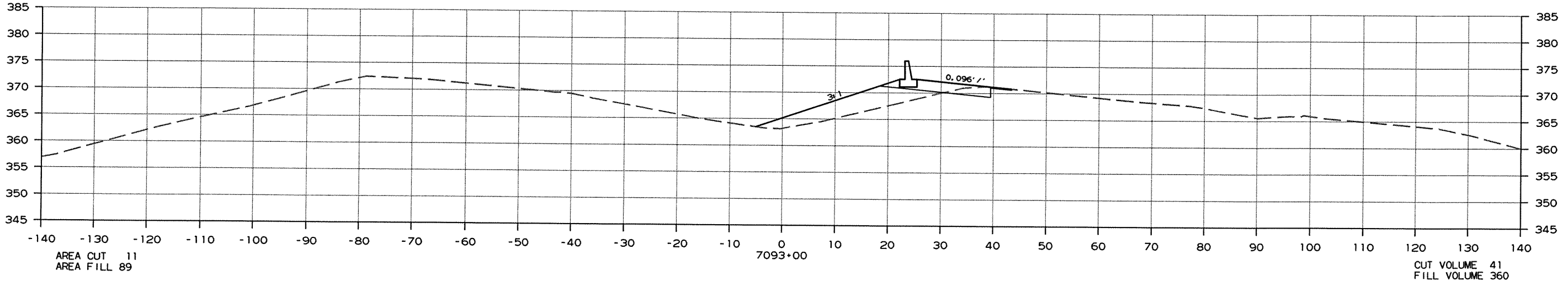
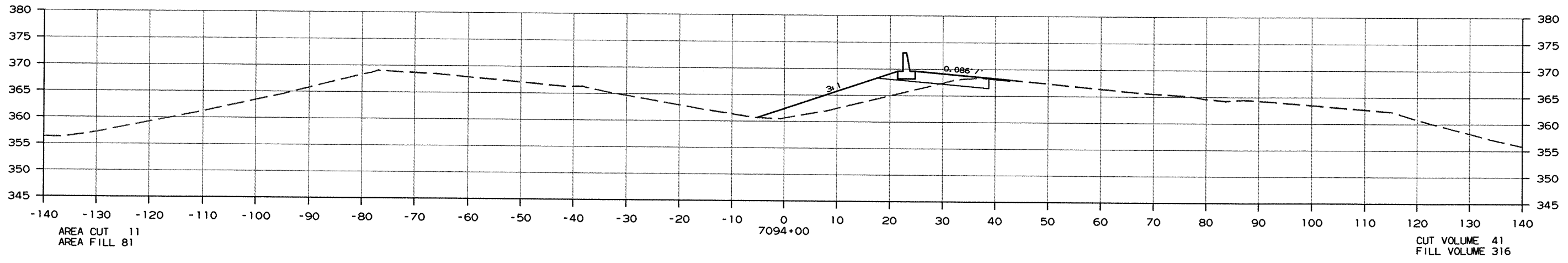
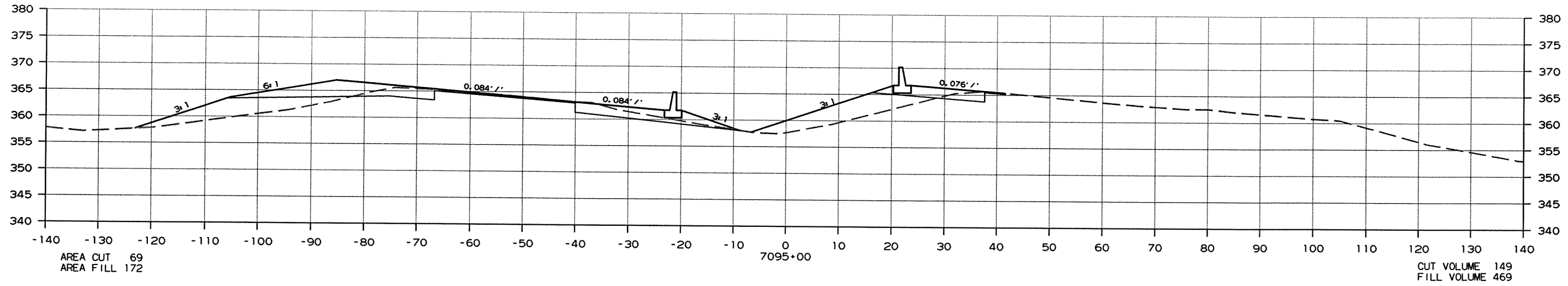


CROSS SECTION STA. 7091+00 TO STA. 7092+00

10/26/2011
FIX.DGN

DATE REVISED	DATE FILMED	DATE REVISED	DATE FILMED	FED. RD. DIST. NO.	STATE	FED. AID PROJ. NO.	SHEET NO.	TOTAL SHEETS
				6	ARK.			
JOB NO. 080388							296	452

② CROSS SECTIONS

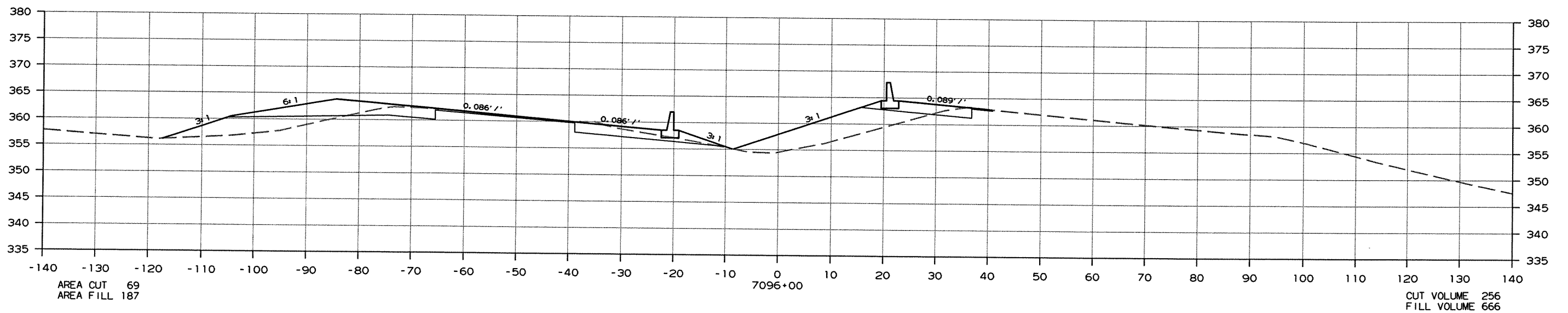
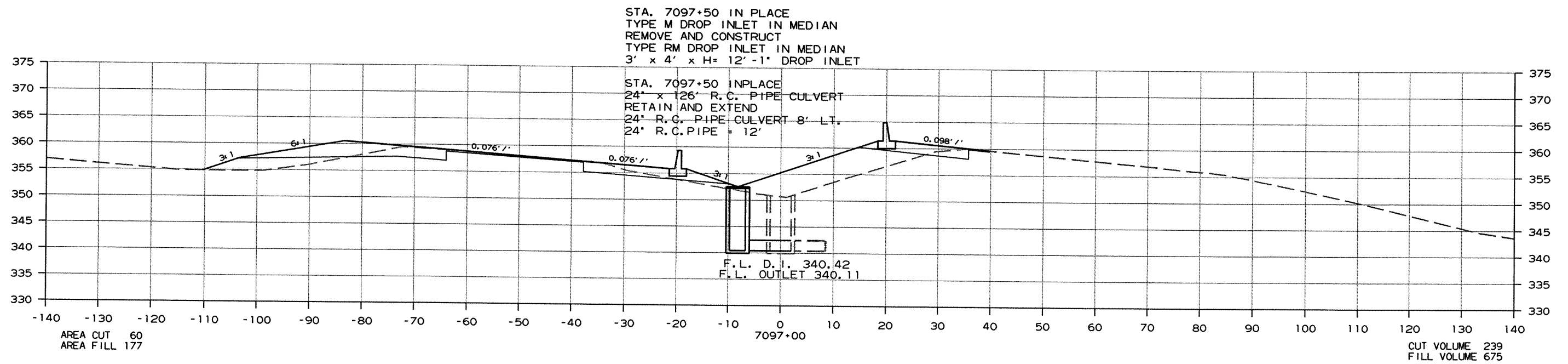


CROSS SECTION STA. 7093+00 TO STA. 7095+00

10/26/2011
FIX.DGN

DATE REVISED	DATE FILMED	DATE REVISED	DATE FILMED	FED. DIST. NO.	STATE	FED. AID PROJ. NO.	SHEET NO.	TOTAL SHEETS
				6	ARK.			
						JOB NO. 080388	297	452

2 CROSS SECTIONS

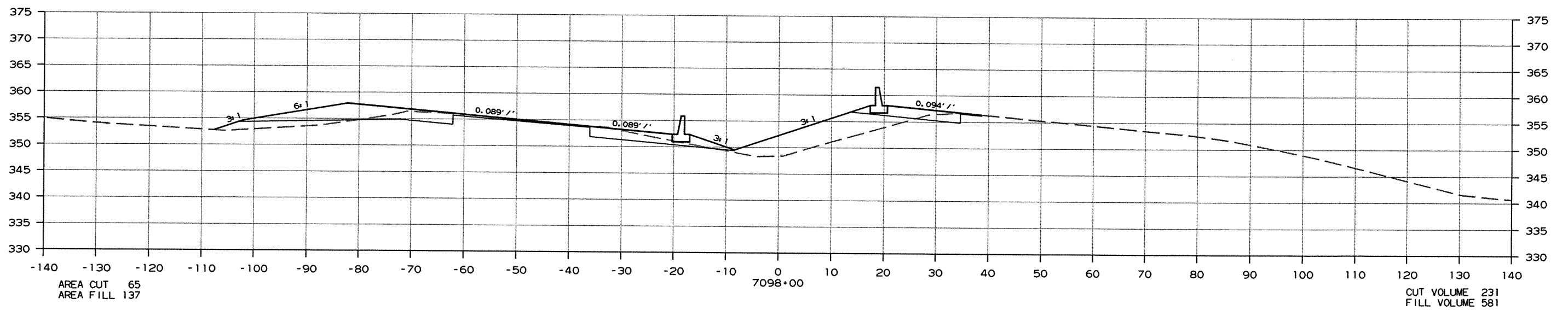
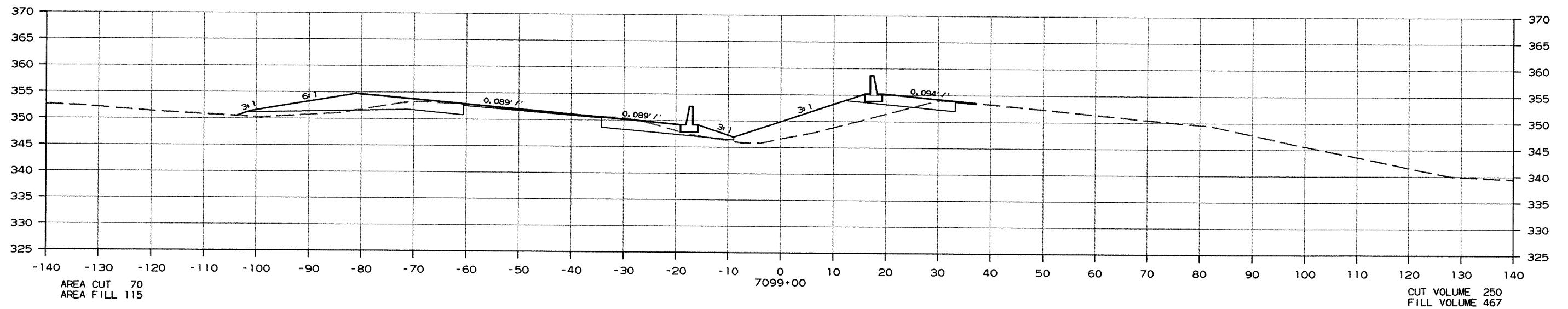


CROSS SECTION STA. 7096+00 TO STA. 7097+00

FIX.DGN 10/26/2011

DATE REVISED	DATE FILMED	DATE REVISED	DATE FILMED	FED. RD. DIST. NO.	STATE	FED. AID PROJ. NO.	SHEET NO.	TOTAL SHEETS
				6	ARK.			
						JOB NO. 080388	298	452

2 CROSS SECTIONS

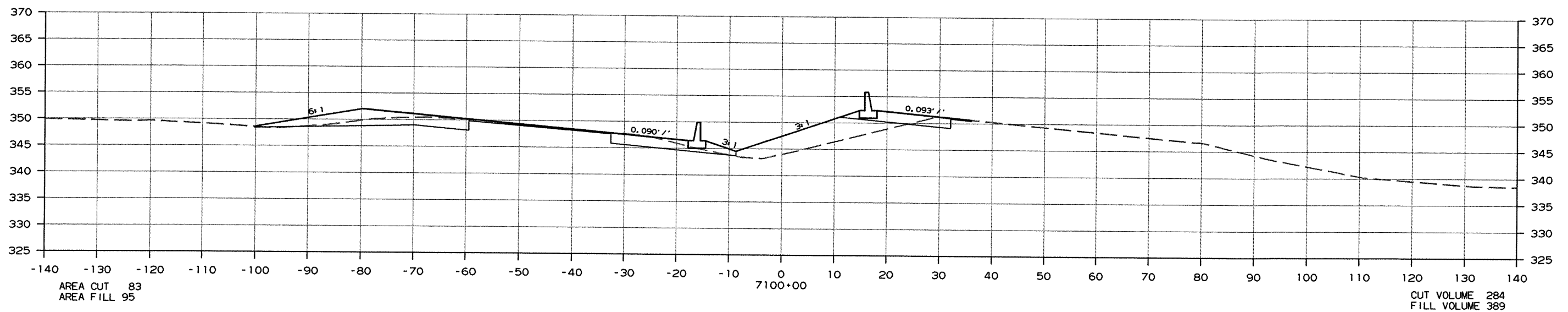
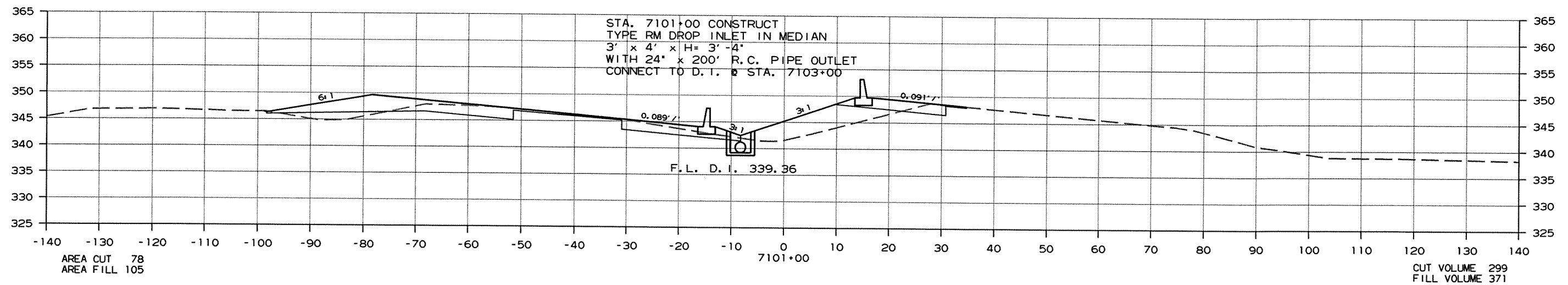


CROSS SECTION STA. 7098+00 TO STA. 7099+00

FIX.DGN 10/26/2011

DATE REVISED	DATE FILMED	DATE REVISED	DATE FILMED	FED. RD. DIST. NO.	STATE	FED. AID PROJ. NO.	SHEET NO.	TOTAL SHEETS
				6	ARK.			
JOB NO. 080388							299	452

2 CROSS SECTIONS

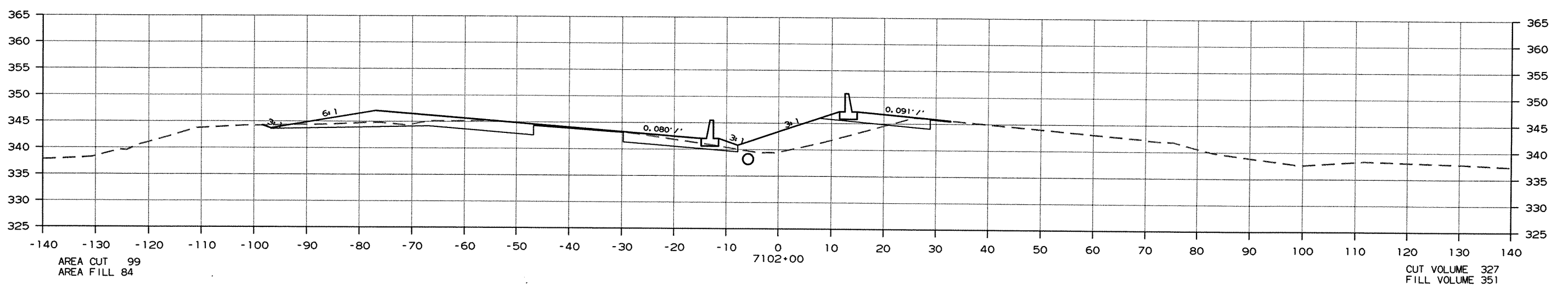
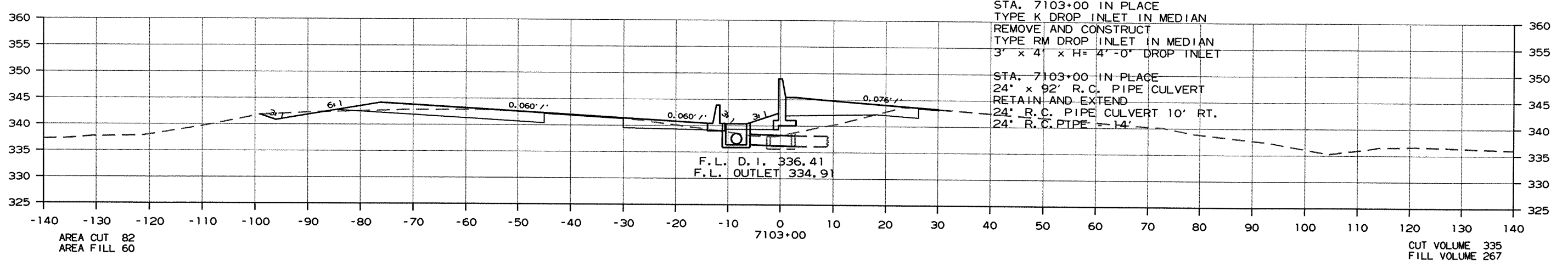
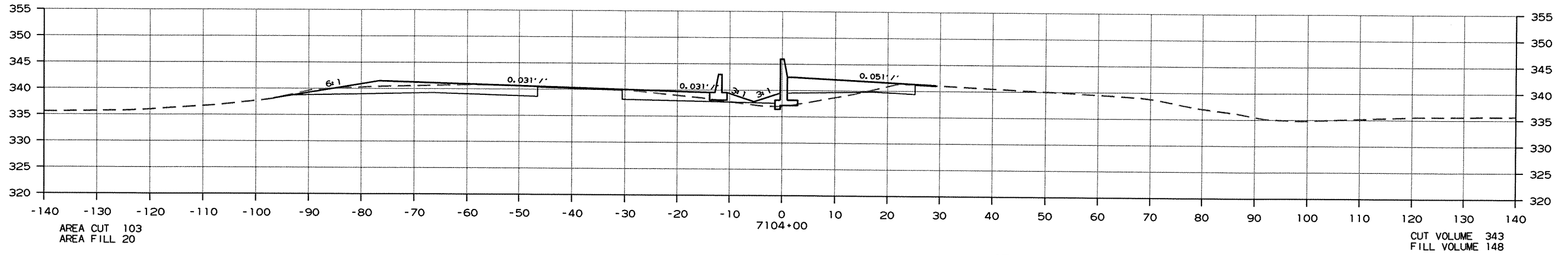


CROSS SECTION STA. 7100+00 TO STA. 7101+00

10/26/2011
FIX.DGN

DATE REVISED	DATE FILMED	DATE REVISED	DATE FILMED	FED. RD. DIST. NO.	STATE	FED. AID PROJ. NO.	SHEET NO.	TOTAL SHEETS
				6	ARK.			
						JOB NO. 080388	300	452

② CROSS SECTIONS

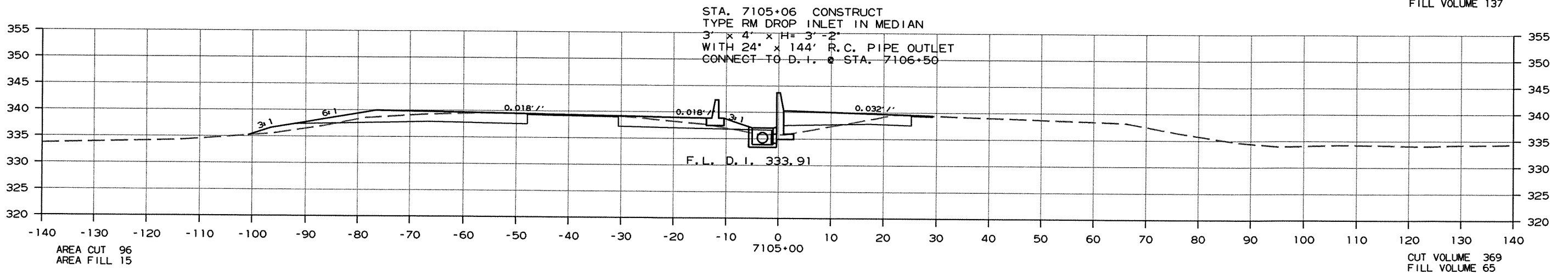
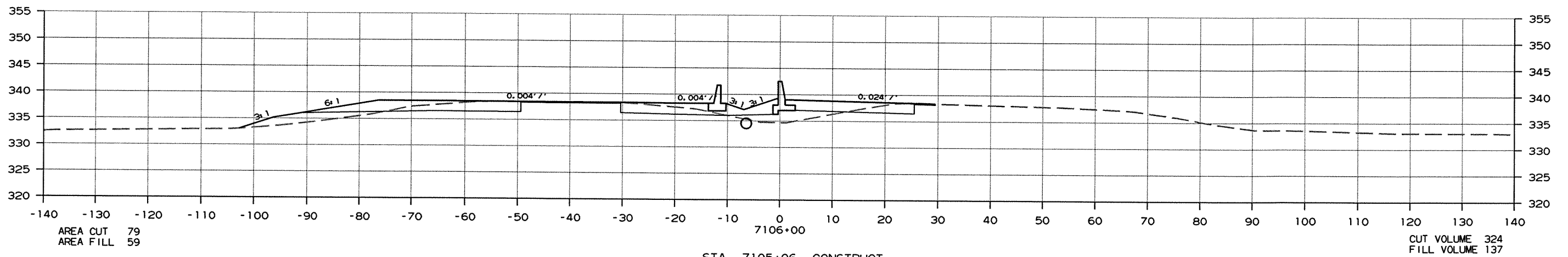
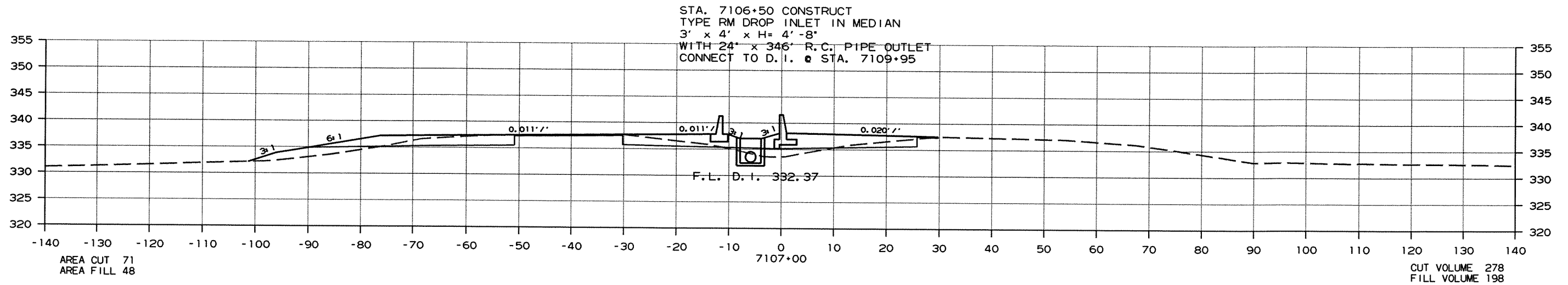


CROSS SECTION STA. 7102+00 TO STA. 7104+00

R080388.DGN 10/26/2011

DATE REVISED	DATE FILMED	DATE REVISED	DATE FILMED	FED. DIST. NO.	STATE	FED. PROJ. NO.	SHEET NO.	TOTAL SHEETS
				6	ARK.			
						JOB NO. 080388	301	452

② CROSS SECTIONS



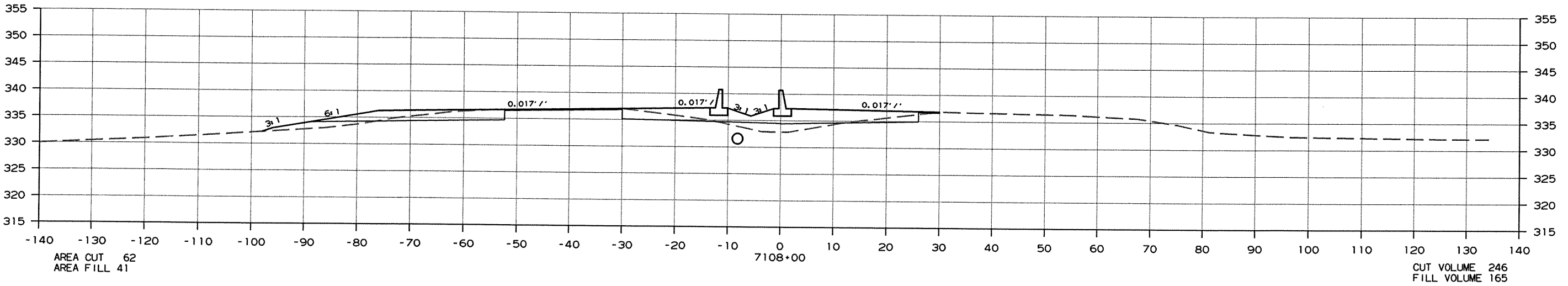
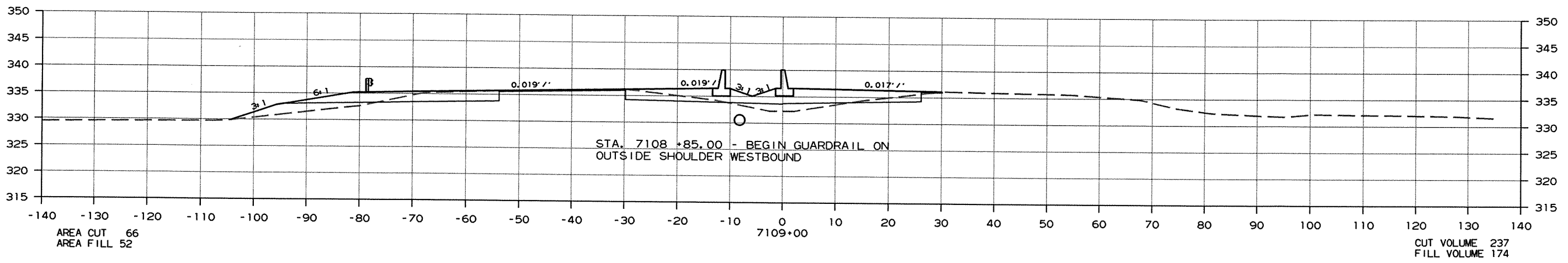
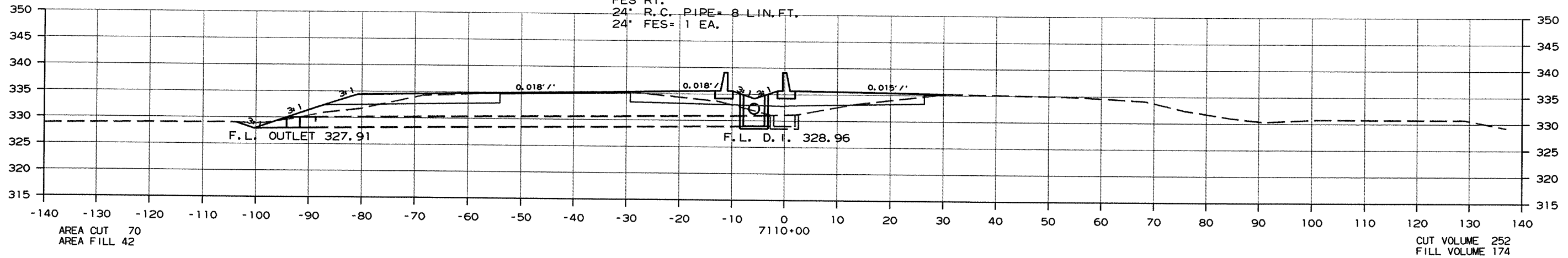
CROSS SECTION STA. 7105+00 TO STA. 7107+00

DATE REVISED	DATE FILED	DATE REVISED	DATE FILED	FED. RD. DIST. NO.	STATE	FED. AID PROJ. NO.	SHEET NO.	TOTAL SHEETS
				6	ARK.			
						JOB NO. 080388	302	452

2 CROSS SECTIONS

STA. 7109+95 IN PLACE
 TYPE N DROP INLET IN MEDIAN
 REMOVE AND CONSTRUCT
 TYPE RM DROP INLET IN MEDIAN
 3' x 4' x H= 5'-3" DROP INLET

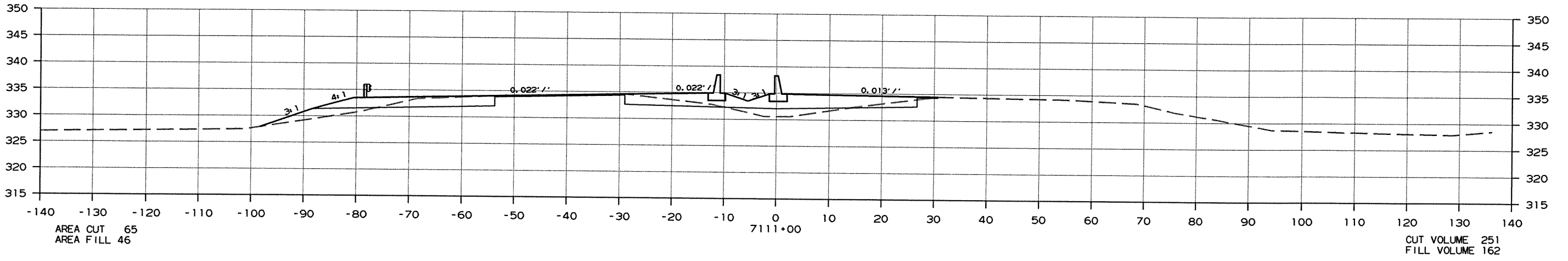
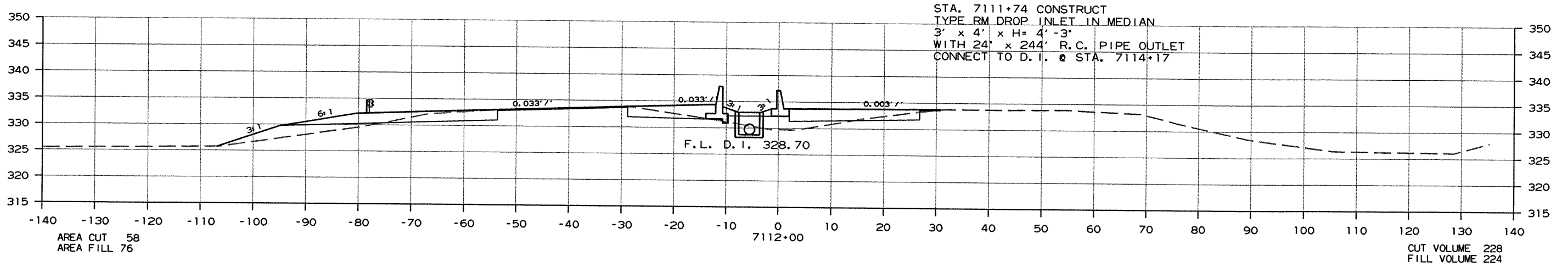
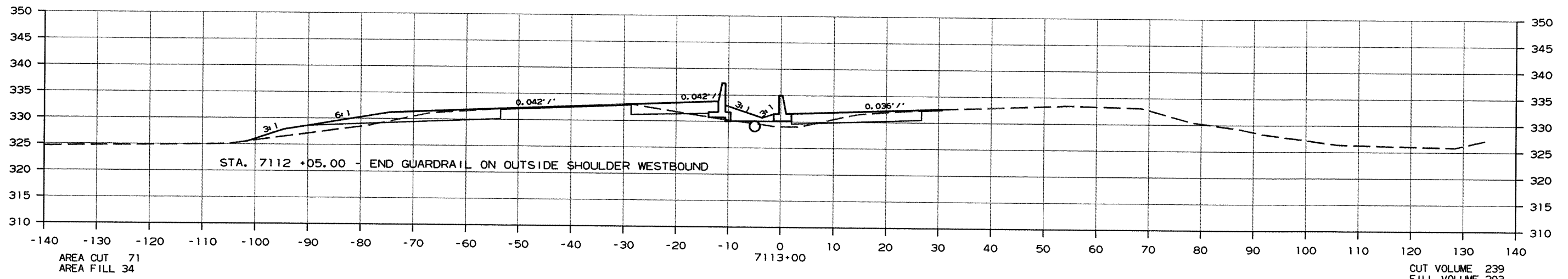
STA. 7109+95 IN PLACE
 24' x 86' R.C. PIPE CULVERT TO LT.
 UNDER LT. LANES W. HDWLS. LT
 REMOVE HDWLS. LT. & EXTEND R.C. PIPE
 4' LT.
 CLASS III TYPE II BEDDING W./
 FES RT.
 24' R.C. PIPE - 8 LIN. FT.
 24' FES = 1 EA.



CROSS SECTION STA. 7108+00 TO STA. 7110+00

DATE REVISED	DATE FILMED	DATE REVISED	DATE FILMED	FED. RD. DIST. NO.	STATE	FED. AID PROJ. NO.	SHEET NO.	TOTAL SHEETS
				6	ARK.			
JOB NO.						080388	303	452

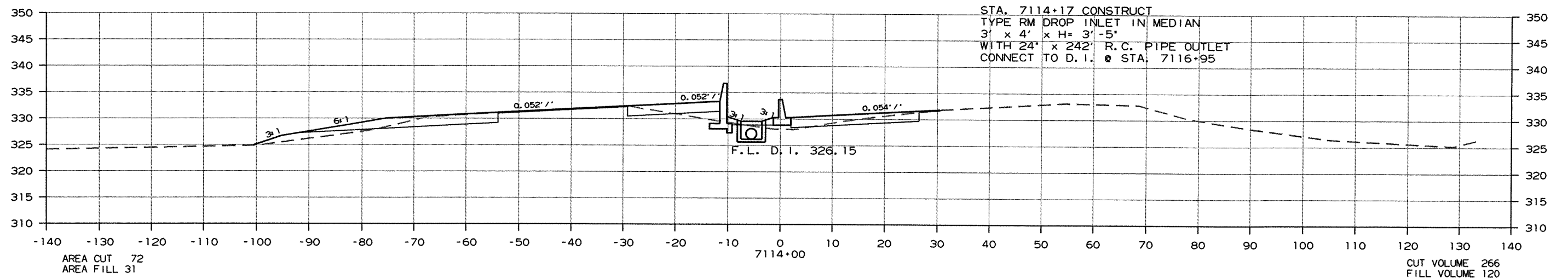
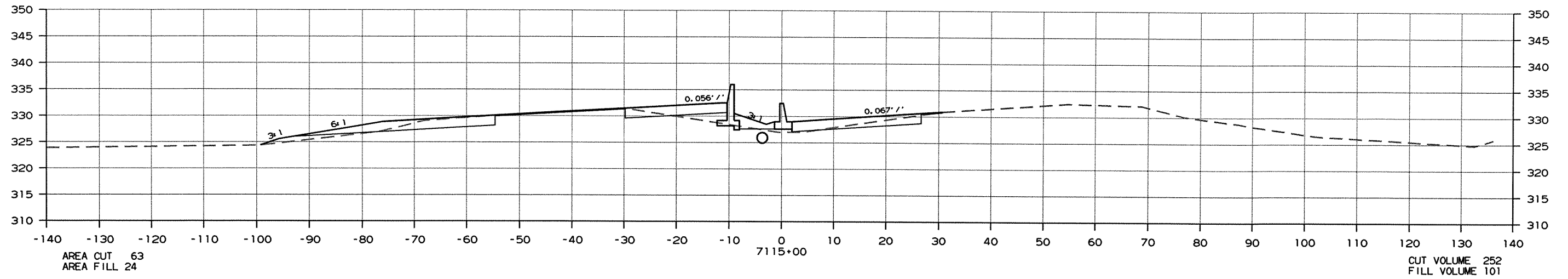
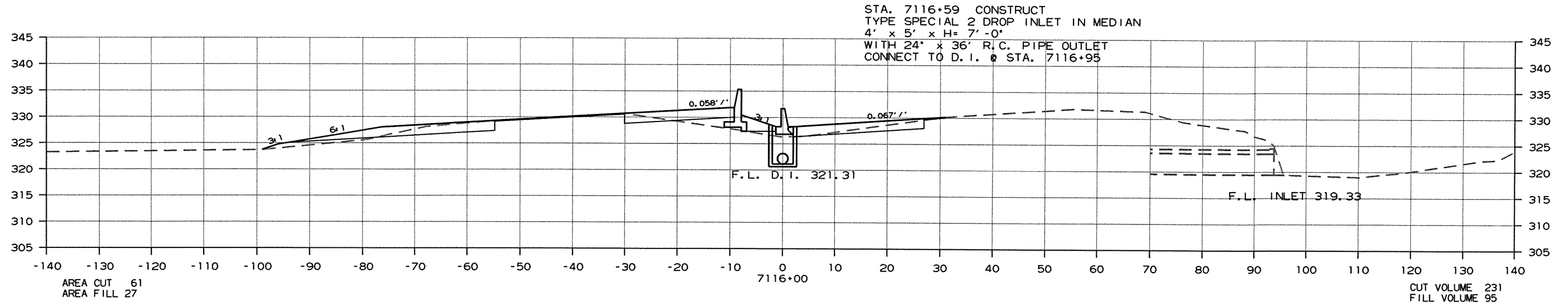
2 CROSS SECTIONS



CROSS SECTION STA. 7111+00 TO STA. 7113+00

DATE REVISED	DATE FILMED	DATE REVISED	DATE FILMED	FED. RD. DIST. NO.	STATE	FED. AID PROJ. NO.	SHEET NO.	TOTAL SHEETS
				6	ARK.			
JOB NO. 080388							304	452

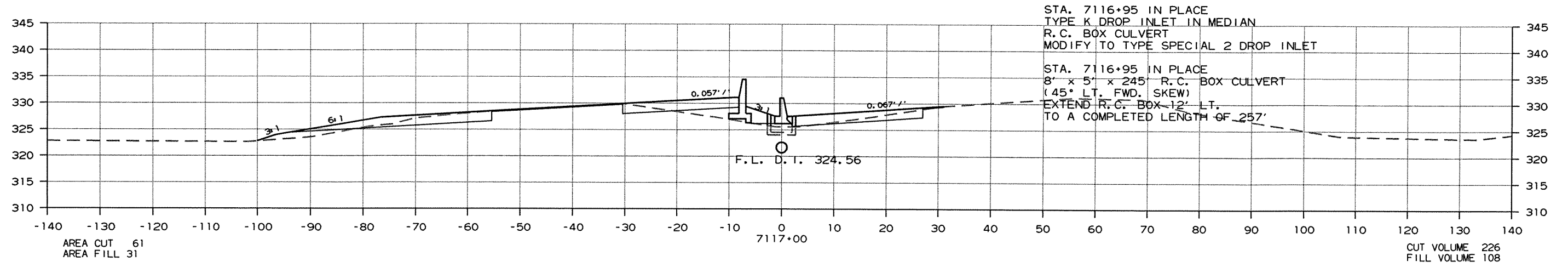
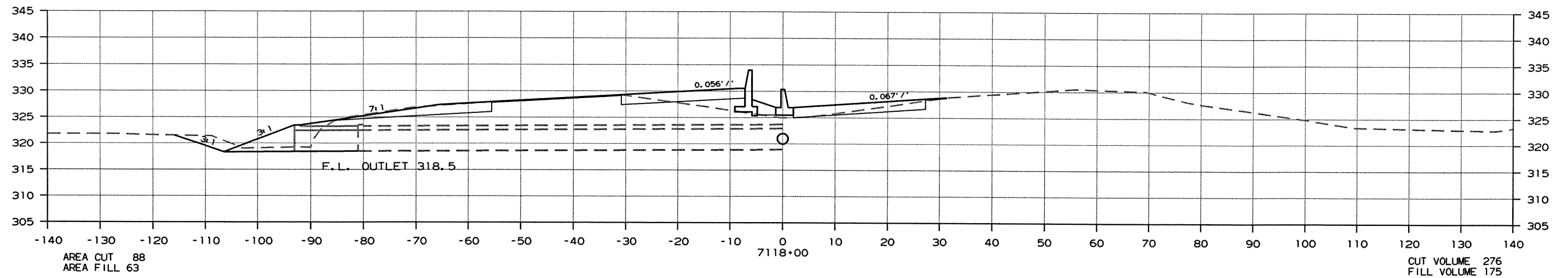
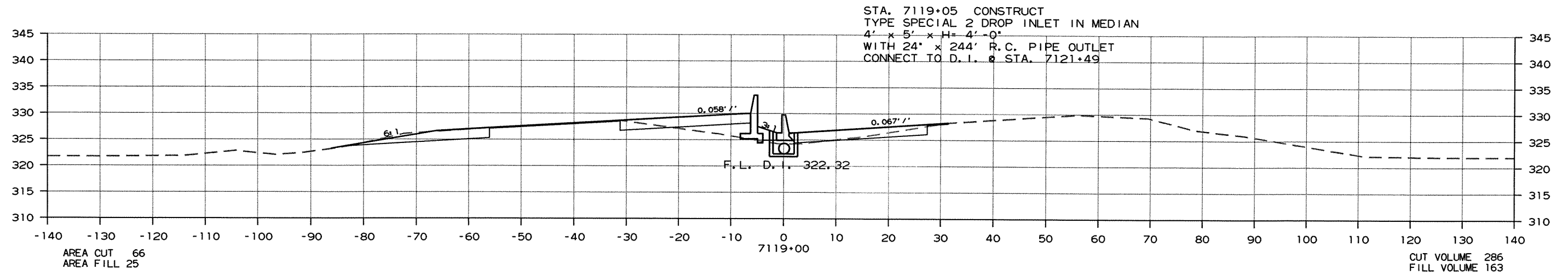
2 CROSS SECTIONS



CROSS SECTION STA. 7114+00 TO STA. 7116+00

DATE REVISED	DATE FILMED	DATE REVISED	DATE FILMED	FED. RD. DIST. NO.	STATE	FED. AID PROJ. NO.	SHEET NO.	TOTAL SHEETS
				6	ARK.			
JOB NO. 080388							305	452

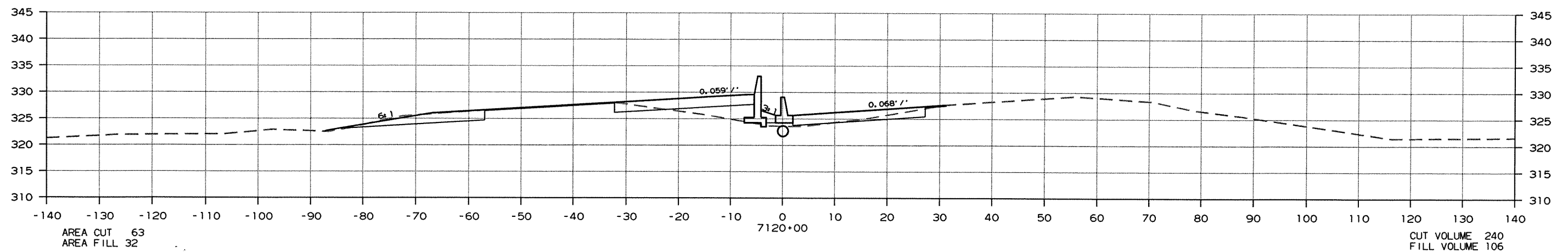
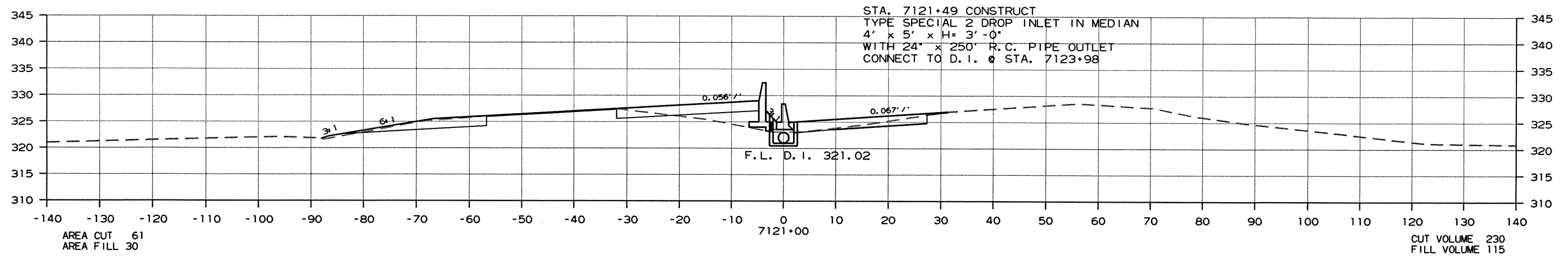
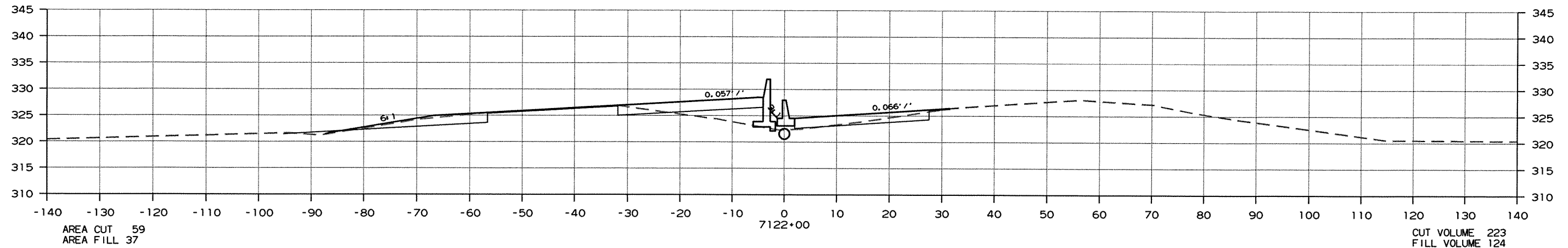
② CROSS SECTIONS



CROSS SECTION STA. 7117+00 TO STA. 7119+00

DATE REVISED	DATE FILMED	DATE REVISED	DATE FILMED	FED. RD. DIST. NO.	STATE	FED. AID PROJ. NO.	SHEET NO.	TOTAL SHEETS
				6	ARK.			
				JOB NO.	080388		306	452

② CROSS SECTIONS

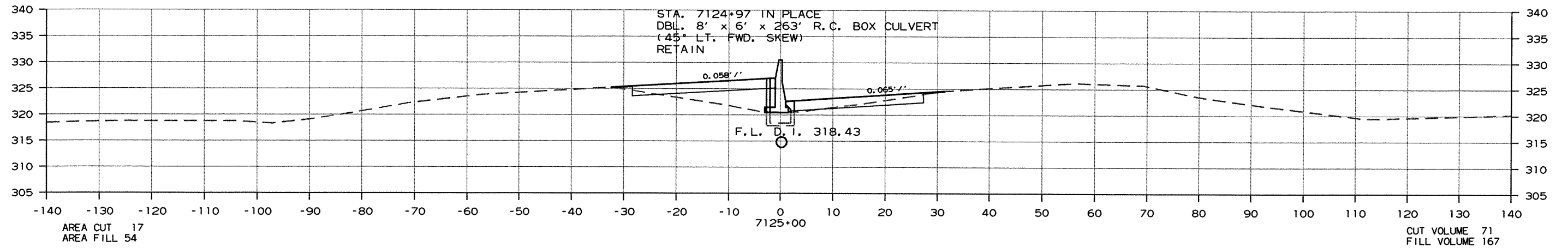


CROSS SECTION STA. 7120+00 TO STA. 7122+00

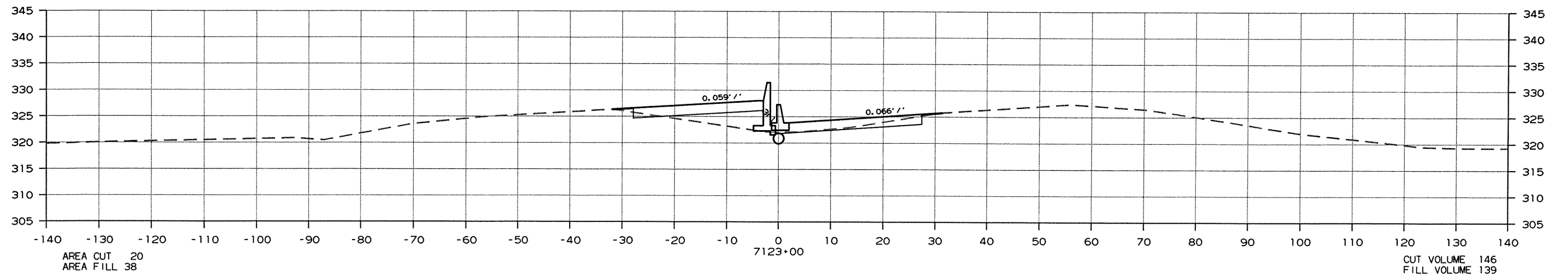
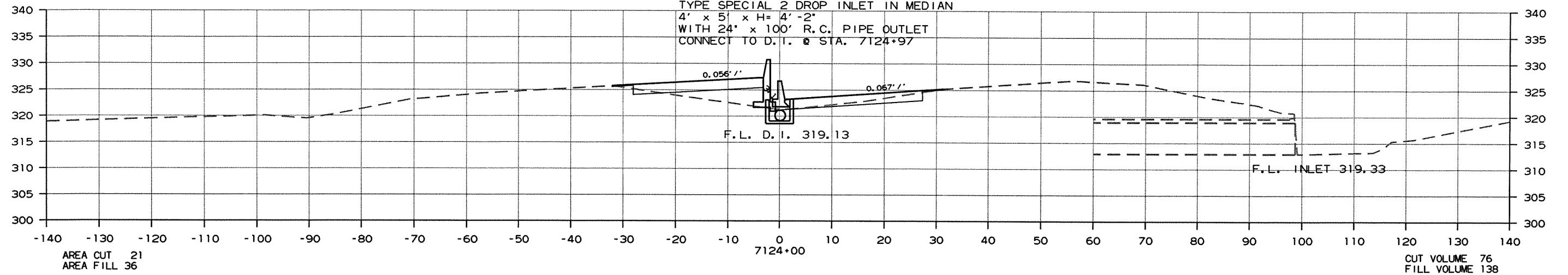
DATE REVISED	DATE FILMED	DATE REVISED	DATE FILMED	FED. RD. DIST. NO.	STATE	FED. AID PROJ. NO.	SHEET NO.	TOTAL SHEETS
				6	ARK.			
JOB NO. 080388							307	452

2 CROSS SECTIONS

STA. 7124+97 IN PLACE
 TYPE K DROP INLET IN MEDIAN OVER
 R.C. BOX CULVERT
 MODIFY TO TYPE SPECIAL 2 DROP INLET



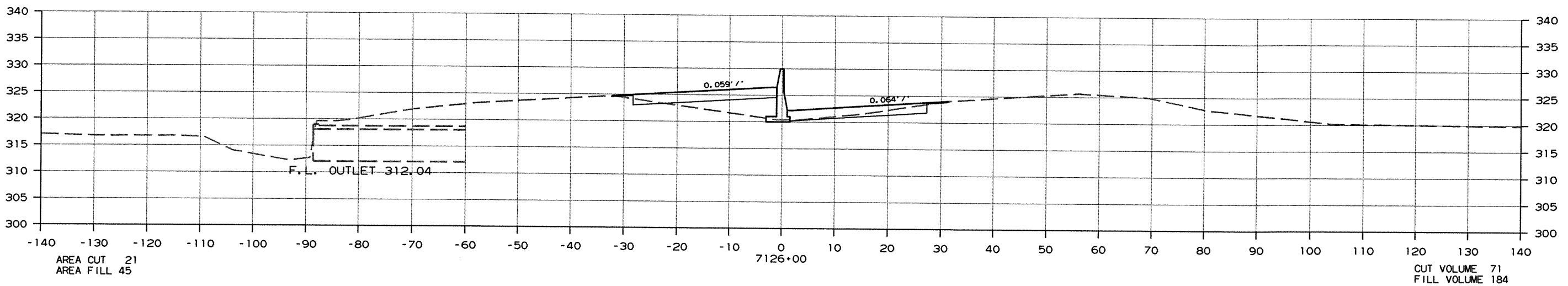
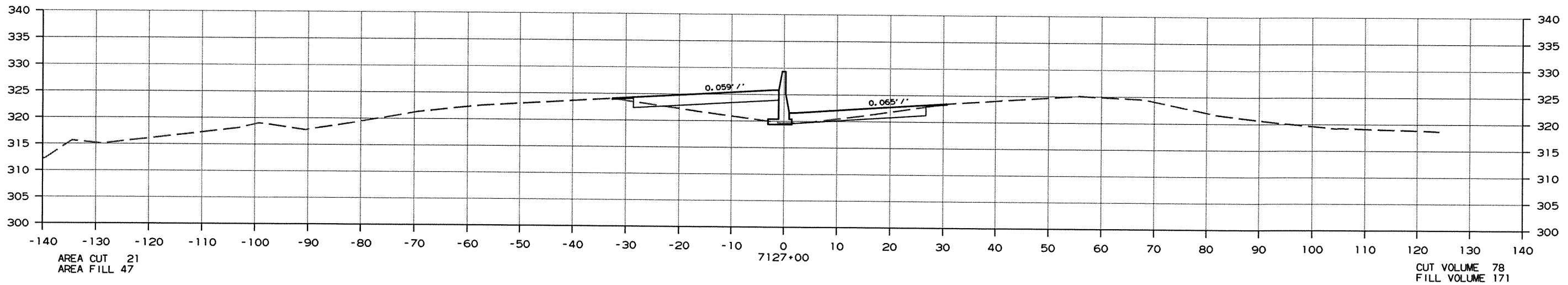
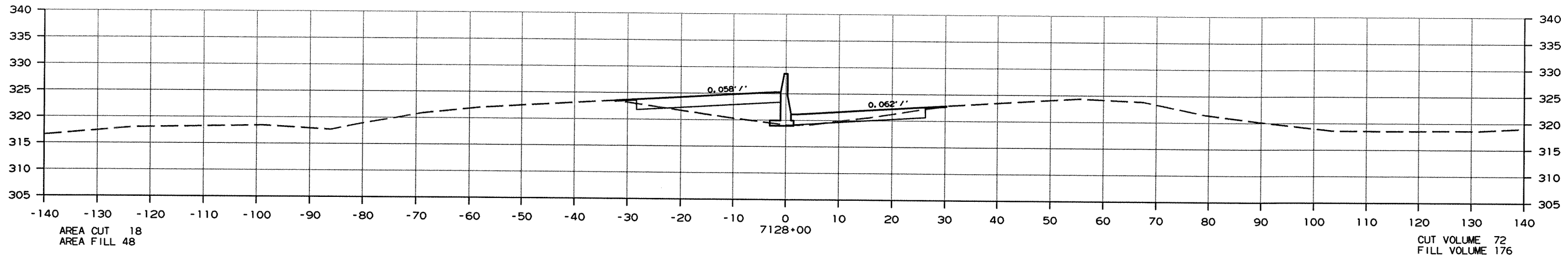
STA. 7123+98 CONSTRUCT
 TYPE SPECIAL 2 DROP INLET IN MEDIAN
 4' x 5' x H= 4'-2"
 WITH 24' x 100' R.C. PIPE OUTLET
 CONNECT TO D.I. @ STA. 7124+97



CROSS SECTION STA. 7123+00 TO STA. 7125+00

DATE REVISED	DATE FILMED	DATE REVISED	DATE FILMED	FED. RD. DIST. NO.	STATE	FED. AID PROJ. NO.	SHEET NO.	TOTAL SHEETS
				6	ARK.			
JOB NO. 080388							308	452

2 CROSS SECTIONS

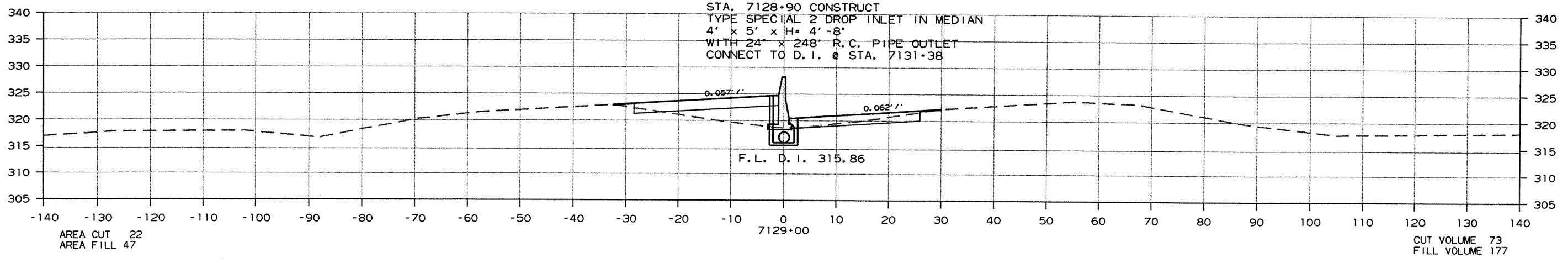
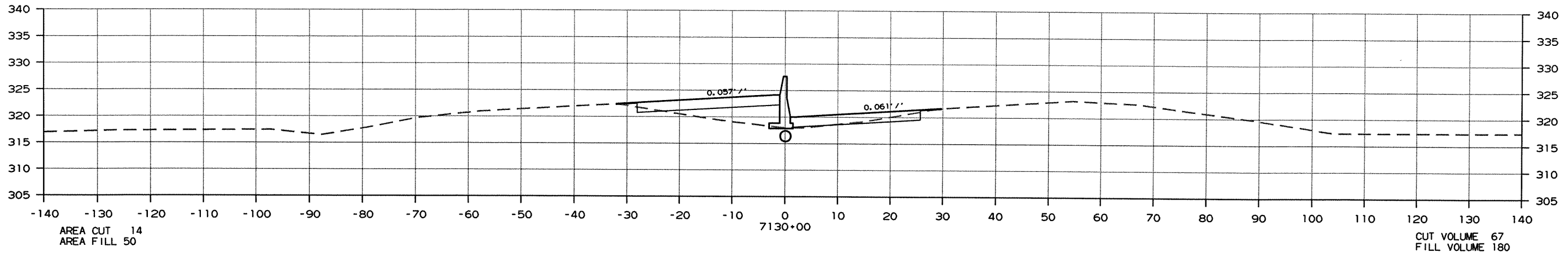
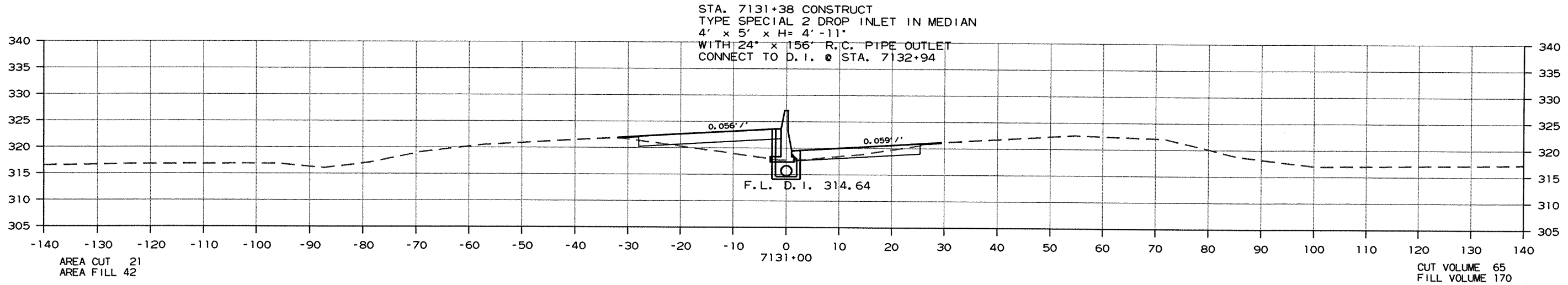


CROSS SECTION STA. 7126+00 TO STA. 7128+00

FIX.DGN 10/26/2011

DATE REVISED	DATE FILMED	DATE REVISED	DATE FILMED	FED. RD. DIST. NO.	STATE	FED. AID PROJ. NO.	SHEET NO.	TOTAL SHEETS
				6	ARK.			
						JOB NO. 080388	309	452

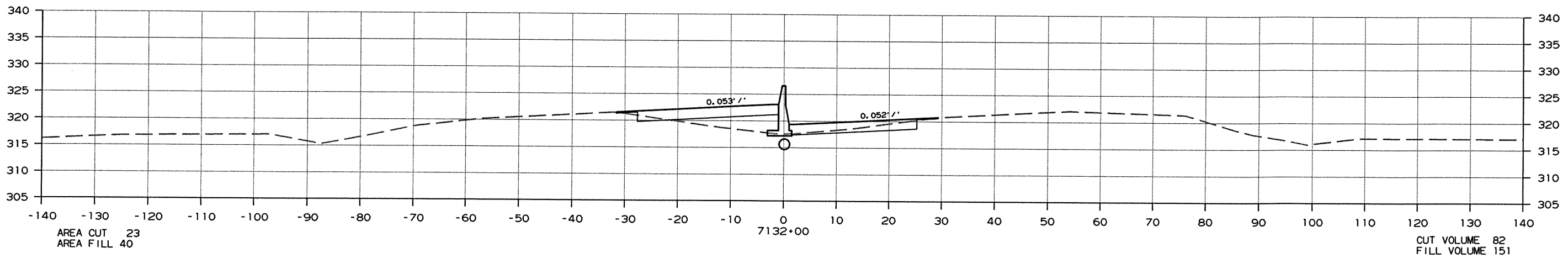
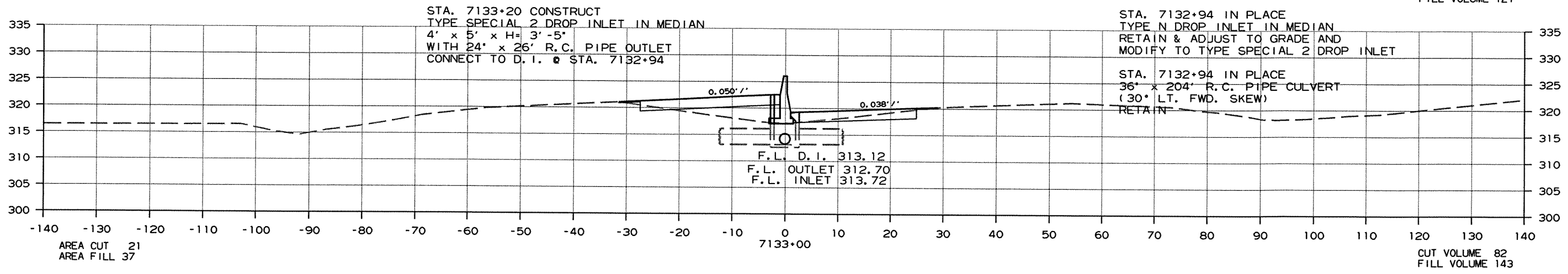
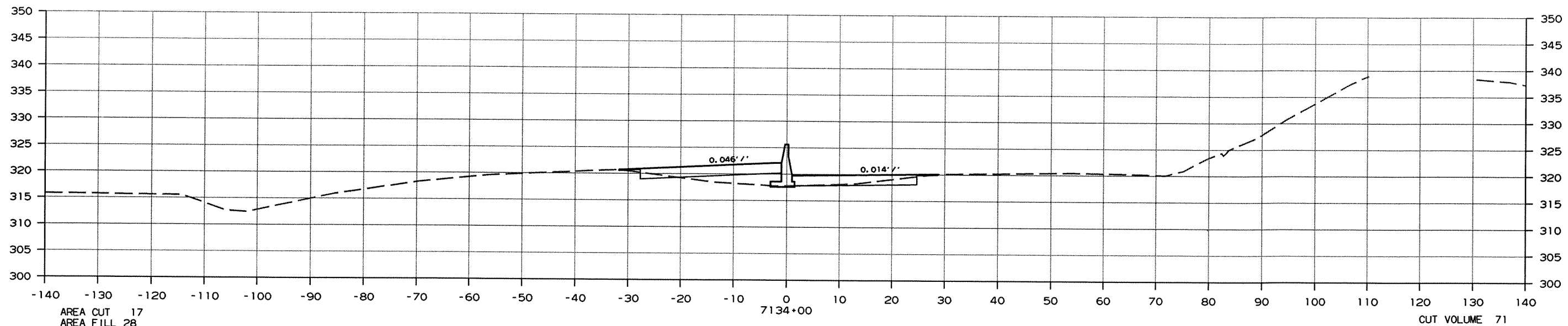
② CROSS SECTIONS



CROSS SECTION STA. 7129+00 TO STA. 7131+00

DATE REVISED	DATE FILMED	DATE REVISED	DATE FILMED	FED. DIST. NO.	STATE	FED. AID PROJ. NO.	SHEET NO.	TOTAL SHEETS
				6	ARK.			
						JOB NO. 080388	310	452

② CROSS SECTIONS

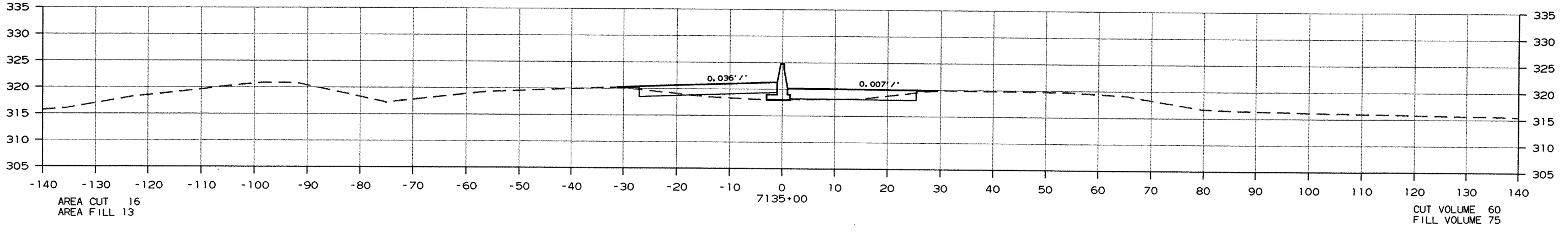
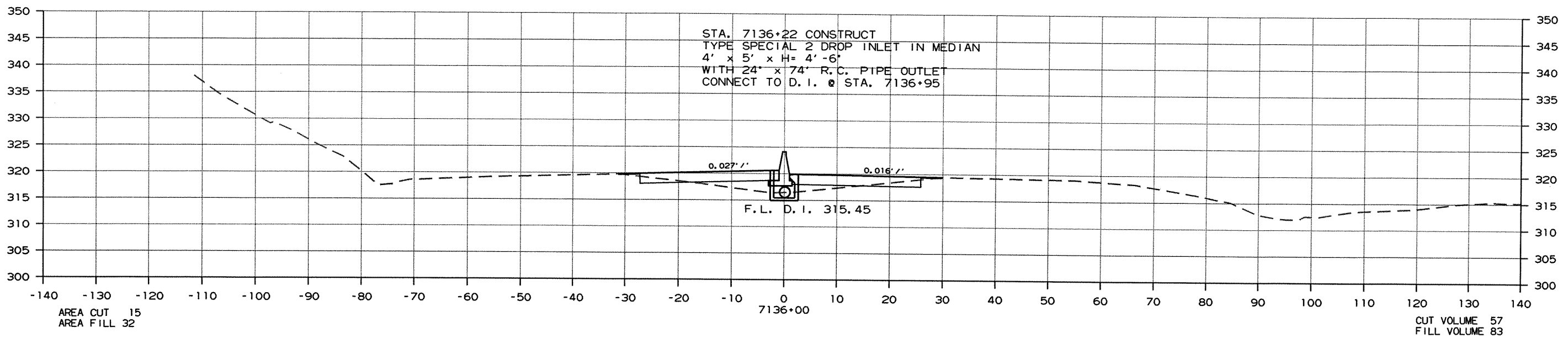
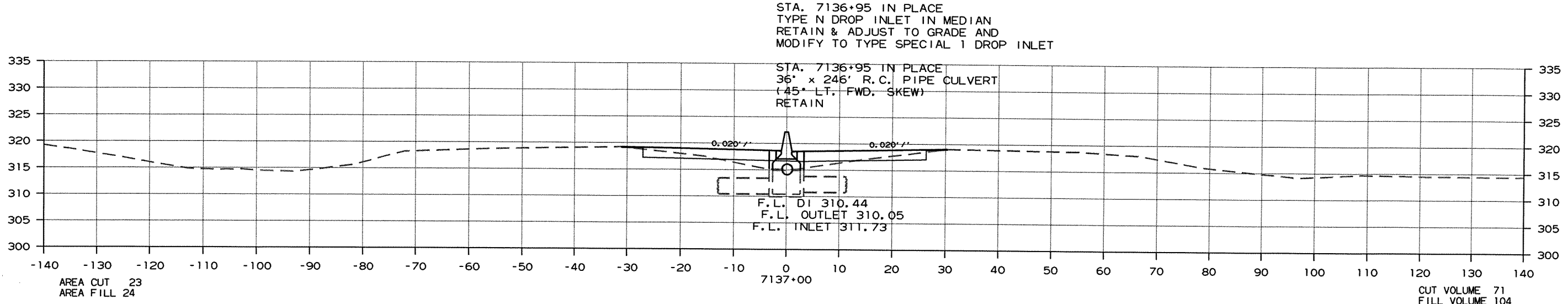


CROSS SECTION STA. 7132+00 TO STA. 7134+00

10/26/2011
FIX.DGN

DATE REVISED	DATE FILMED	DATE REVISED	DATE FILMED	FED. RD. DIST. NO.	STATE	FED. AID PROJ. NO.	SHEET NO.	TOTAL SHEETS
				6	ARK.			
JOB NO. 080388							311	452

2 CROSS SECTIONS

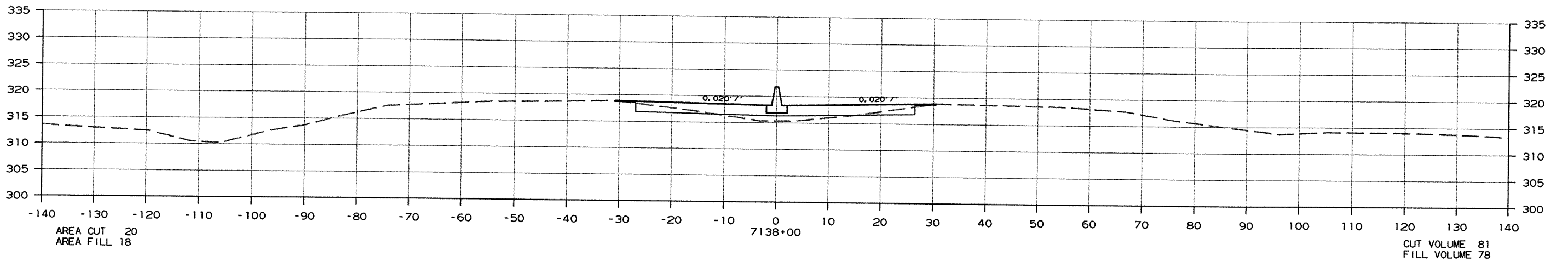
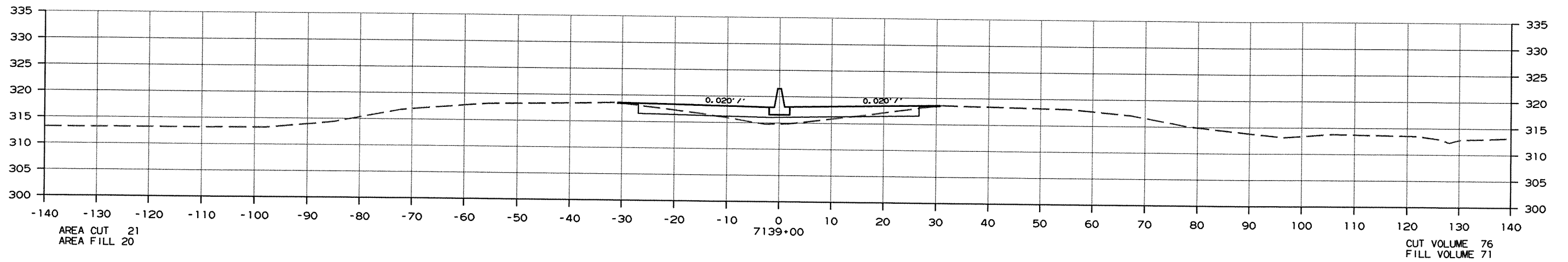
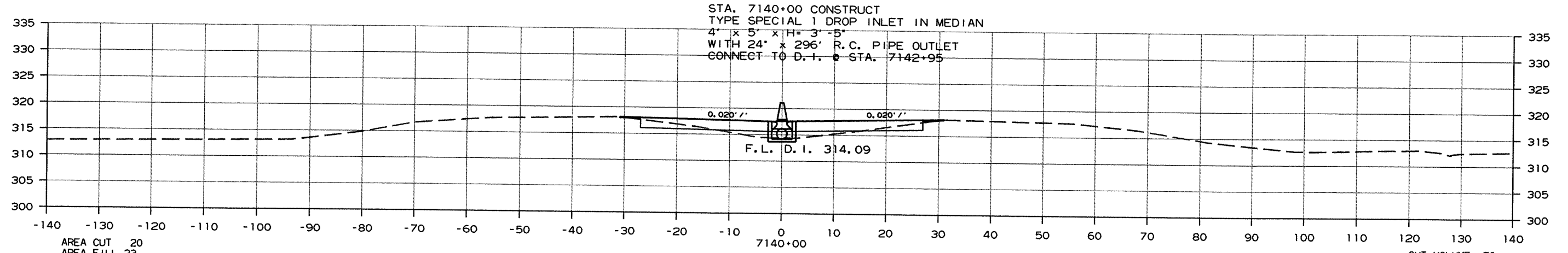


CROSS SECTION STA. 7135+00 TO STA. 7137+00

R080388.DGN 10/26/2011

DATE REVISED	DATE FILMED	DATE REVISED	DATE FILMED	FED. DIST. NO.	STATE	FED. AID PROJ. NO.	SHEET NO.	TOTAL SHEETS
				6	ARK.			
						JOB NO. 080388	312	452

2 CROSS SECTIONS



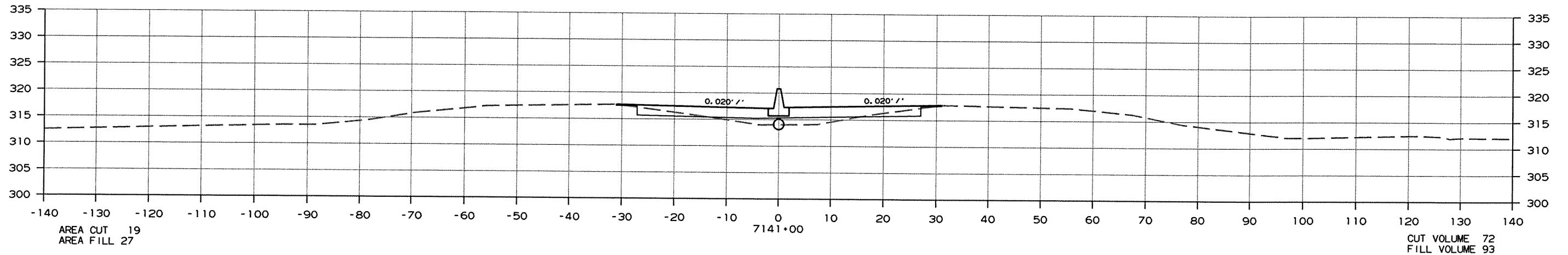
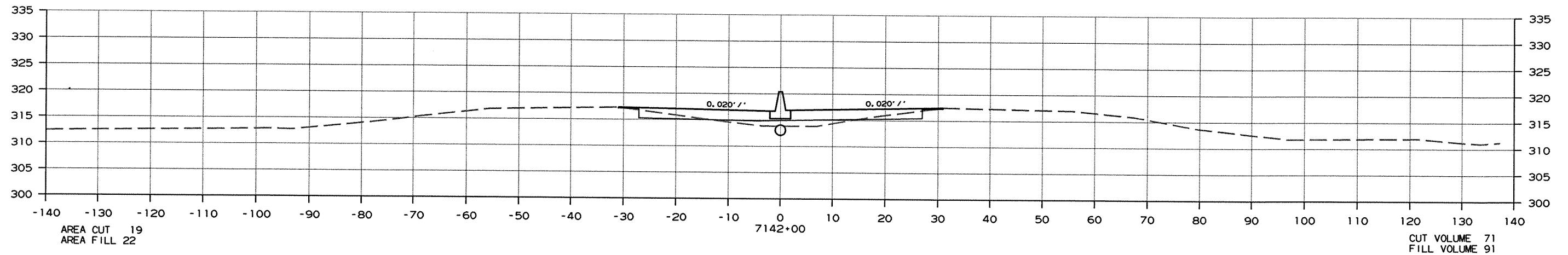
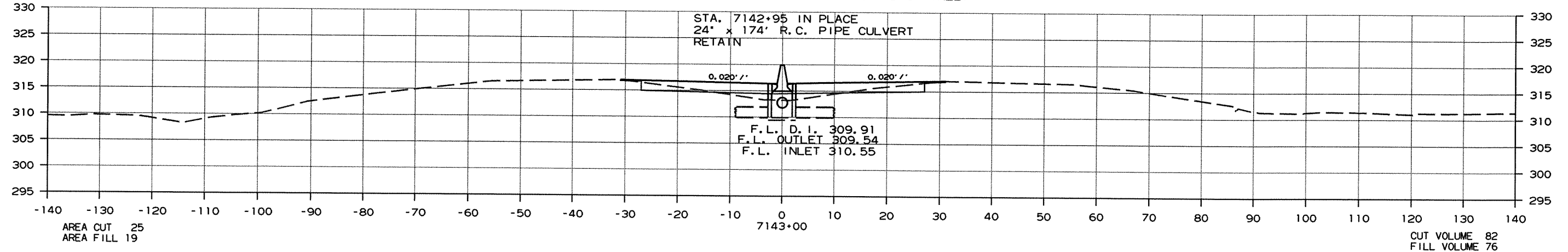
CROSS SECTION STA. 7138+00 TO STA. 7140+00

FIX.DGN 10/26/2011

DATE REVISED	DATE FILMED	DATE REVISED	DATE FILMED	FED. RD. DIST. NO.	STATE	FED. AID PROJ. NO.	SHEET NO.	TOTAL SHEETS
				6	ARK.			
						JOB NO. 080388	313	452

2 CROSS SECTIONS

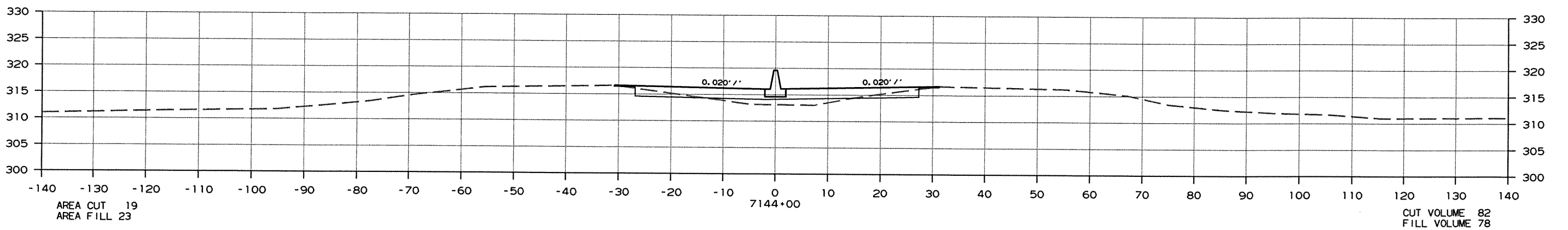
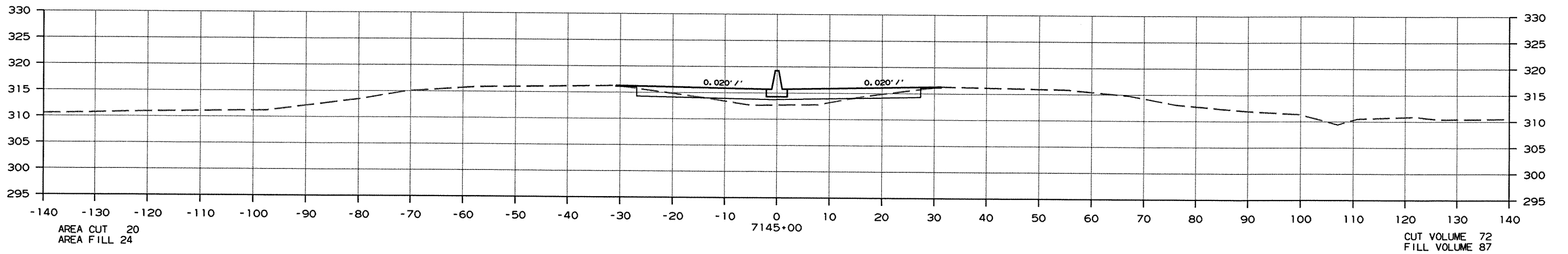
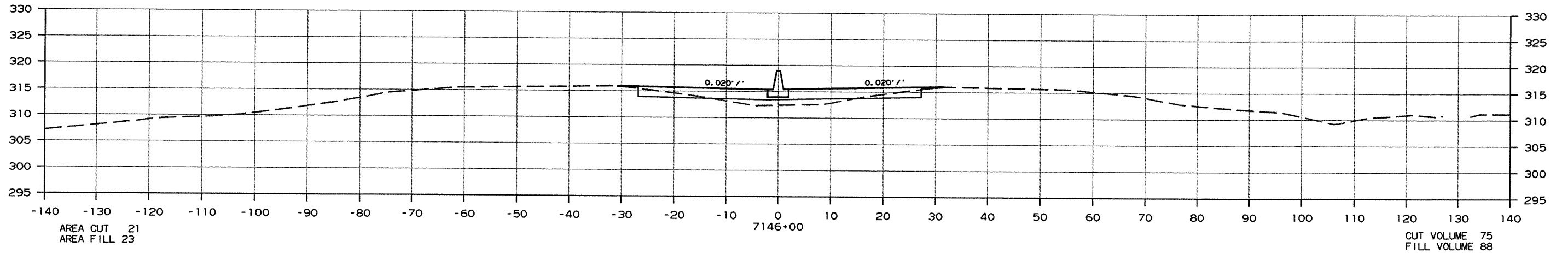
STA. 7142+95 IN PLACE
 TYPE N DROP INLET IN MEDIAN
 RETAIN & ADJUST TO GRADE
 MODIFY TO TYPE SPECIAL 1 DROP INLET



CROSS SECTION STA. 7141+00 TO STA. 7143+00

DATE REVISED	DATE FILMED	DATE REVISED	DATE FILMED	FED. RD. DIST. NO.	STATE	FED. AID PROJ. NO.	SHEET NO.	TOTAL SHEETS
				6	ARK.			
JOB NO. 080388							314	452

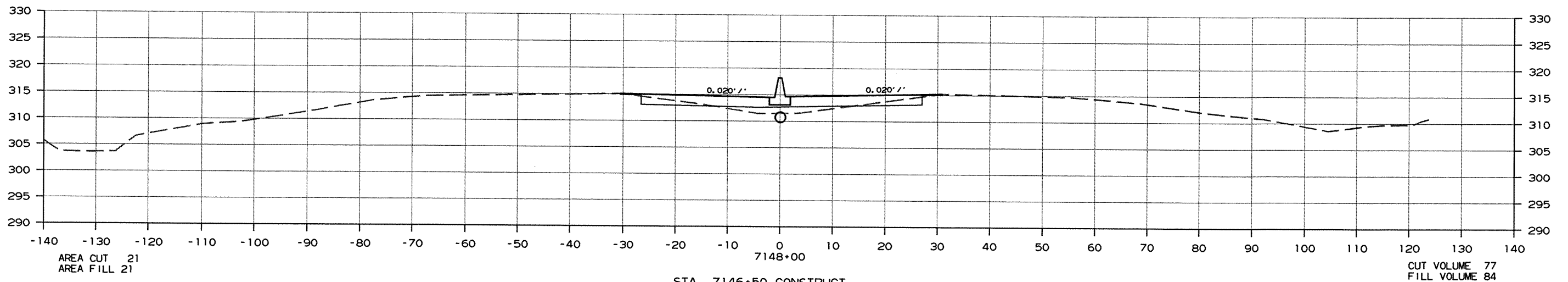
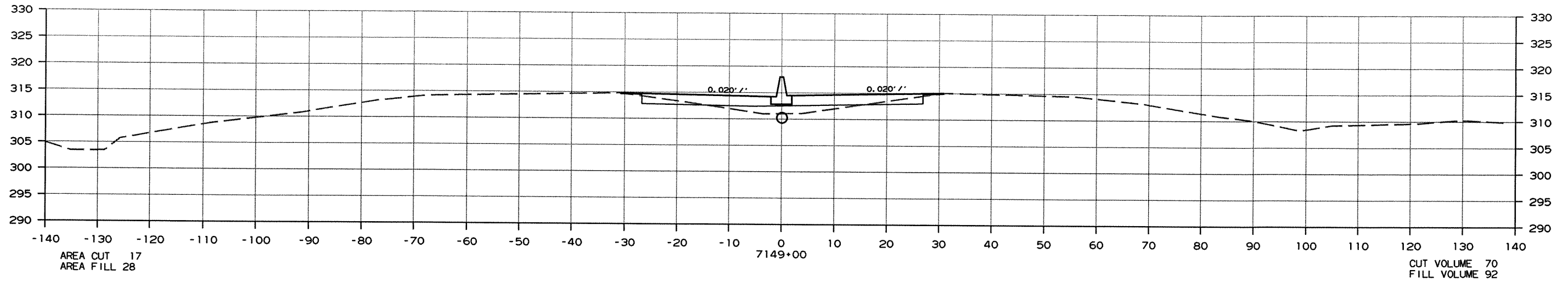
2 CROSS SECTIONS



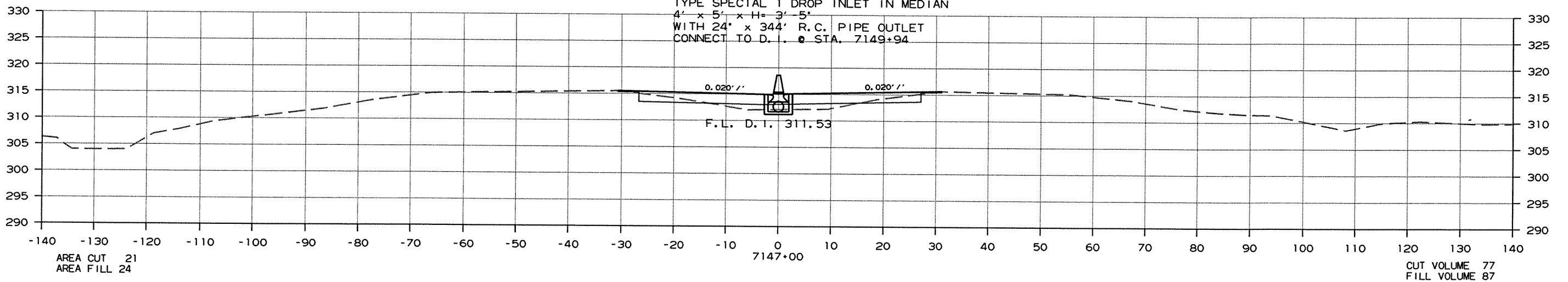
CROSS SECTION STA. 7144+00 TO STA. 7146+00

DATE REVISED	DATE FILMED	DATE REVISED	DATE FILMED	FED. RD. DIST. NO.	STATE	FED. AID PROJ. NO.	SHEET NO.	TOTAL SHEETS
				6	ARK.			
JOB NO. 080388							315	452

2 CROSS SECTIONS



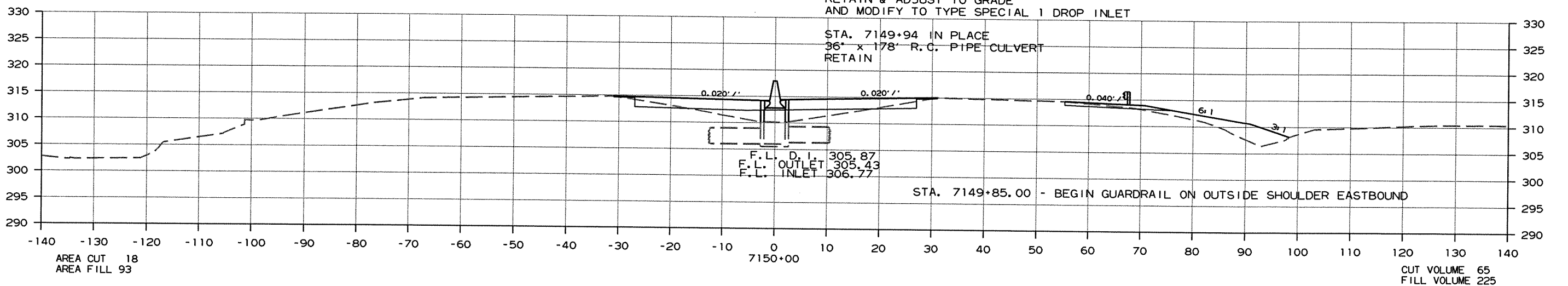
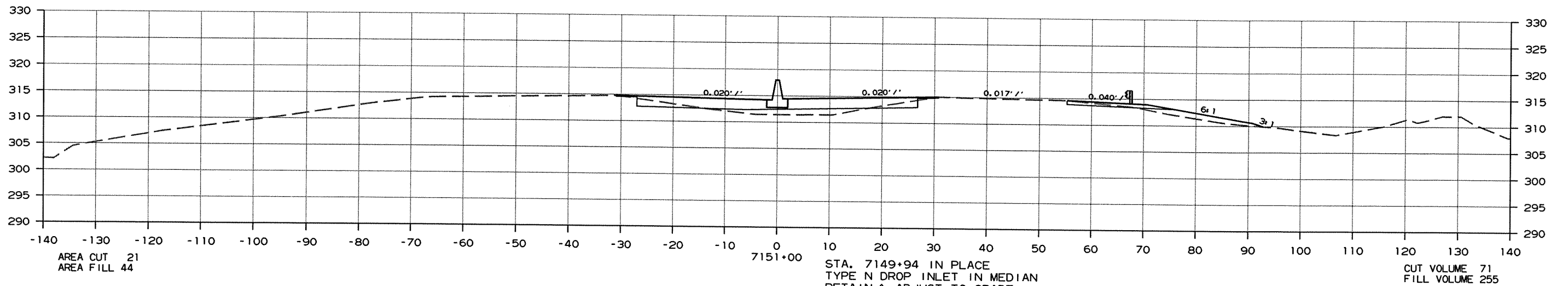
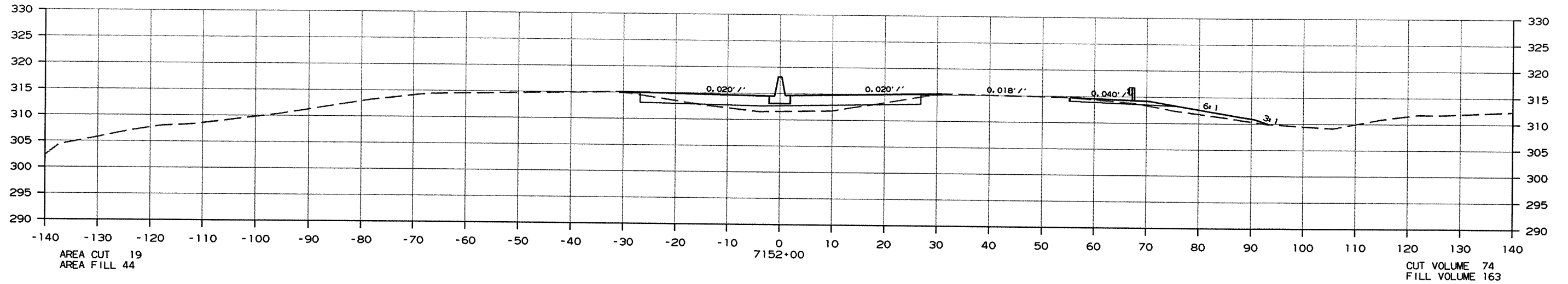
STA. 7146+50 CONSTRUCT
TYPE SPECIAL 1 DROP INLET IN MEDIAN
4' x 5' x H= 3'-5"
WITH 24" x 344' R.C. PIPE OUTLET
CONNECT TO D. I. @ STA. 7149+94



CROSS SECTION STA. 7147+00 TO STA. 7149+00

DATE REVISED	DATE FILMED	DATE REVISED	DATE FILMED	FED. RD. DIST. NO.	STATE	FED. AID PROJ. NO.	SHEET NO.	TOTAL SHEETS
				6	ARK.			
JOB NO. 080388							316	452

2 CROSS SECTIONS

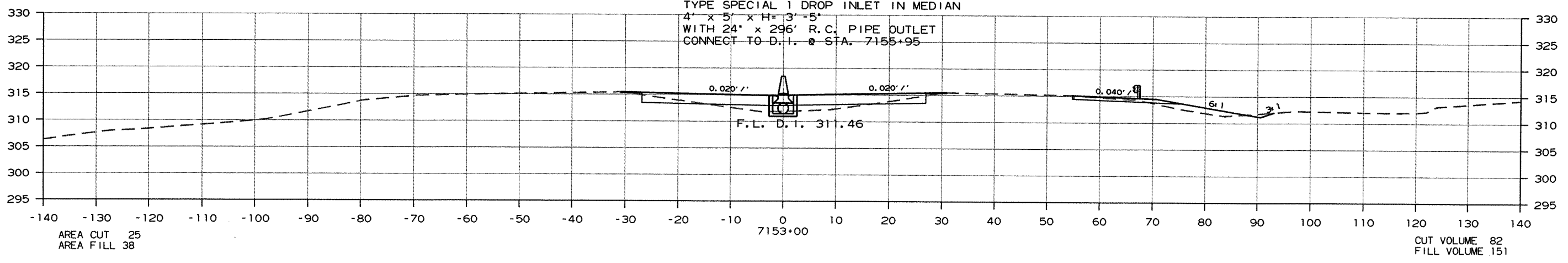
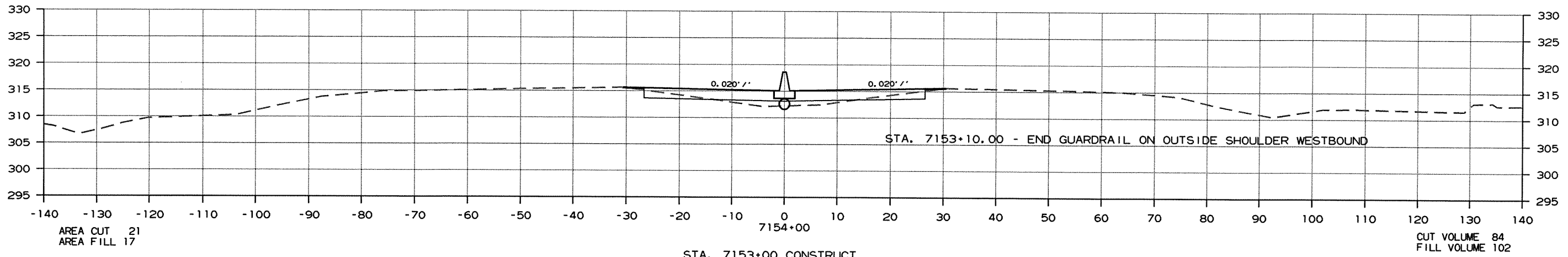
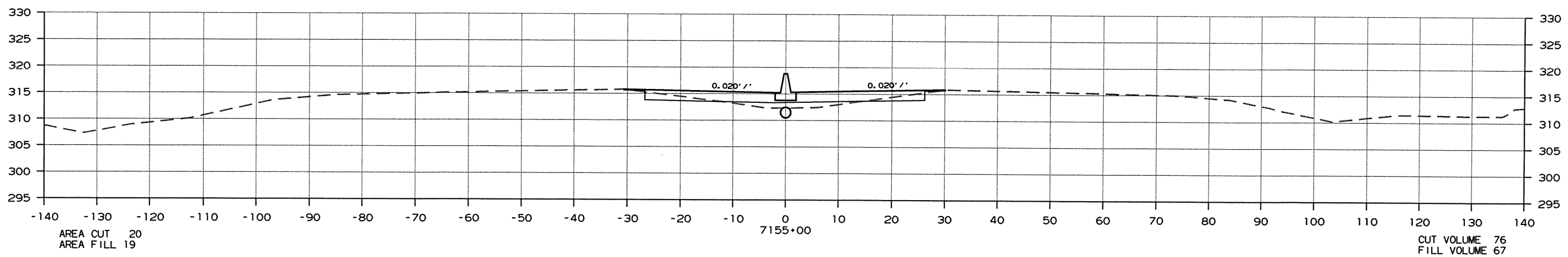


CROSS SECTION STA. 7150+00 TO STA. 7152+00

10/26/2011
FIX.DGN

DATE REVISED	DATE FILMED	DATE REVISED	DATE FILMED	FED. RD. DIST. NO.	STATE	FED. AID PROJ. NO.	SHEET NO.	TOTAL SHEETS
				6	ARK.			
						JOB NO. 080388	317	452

② CROSS SECTIONS

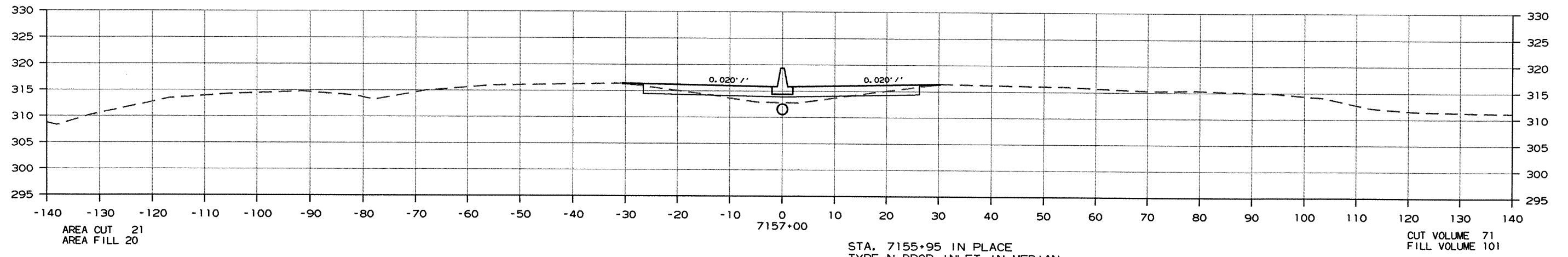
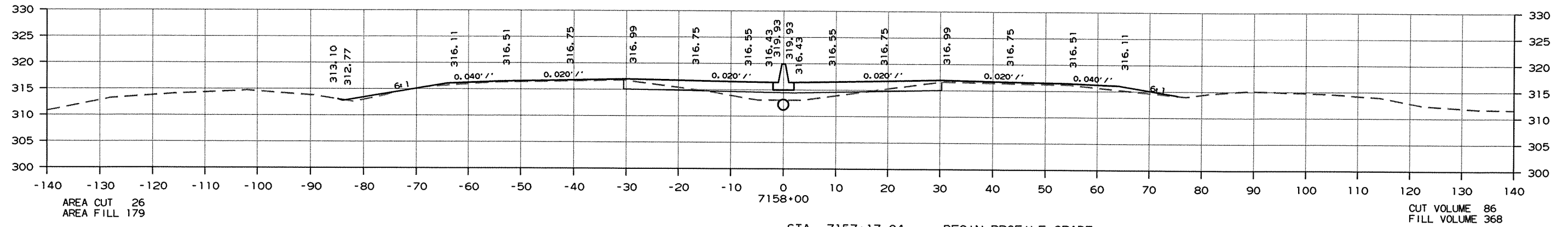


CROSS SECTION STA. 7153+00 TO STA. 7155+00

R080388.DGN 10/26/2011

DATE REVISED	DATE FILMED	DATE REVISED	DATE FILMED	FED. RD. DIST. NO.	STATE	FED. AID PROJ. NO.	SHEET NO.	TOTAL SHEETS
				6	ARK.			
JOB NO. 080388							318	452

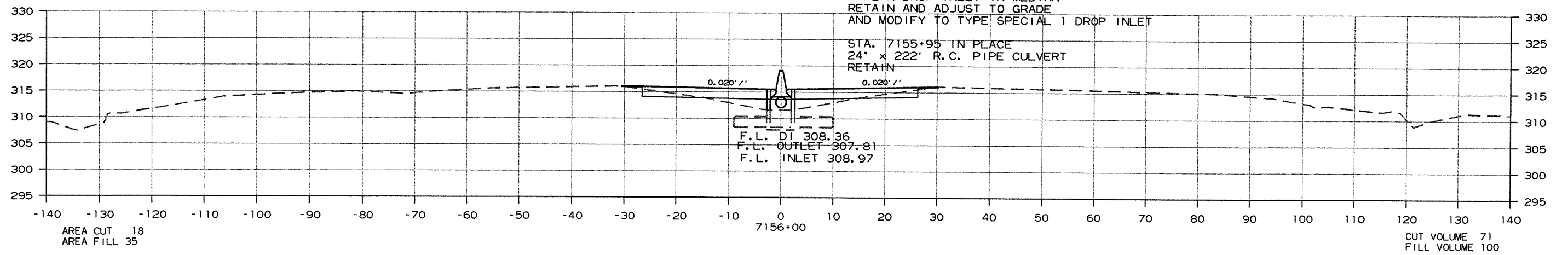
2 CROSS SECTIONS



STA. 7155+95 IN PLACE
TYPE N DROP INLET IN MEDIAN
RETAIN AND ADJUST TO GRADE
AND MODIFY TO TYPE SPECIAL 1 DROP INLET

STA. 7155+95 IN PLACE
24' x 222' R.C. PIPE CULVERT
RETAIN

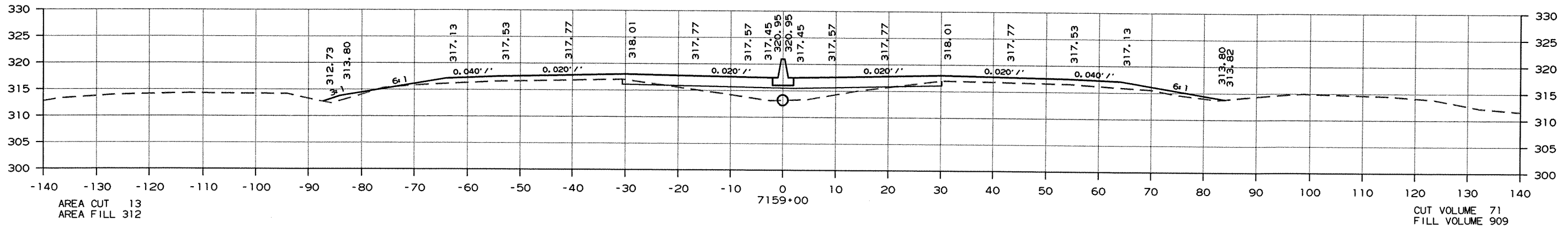
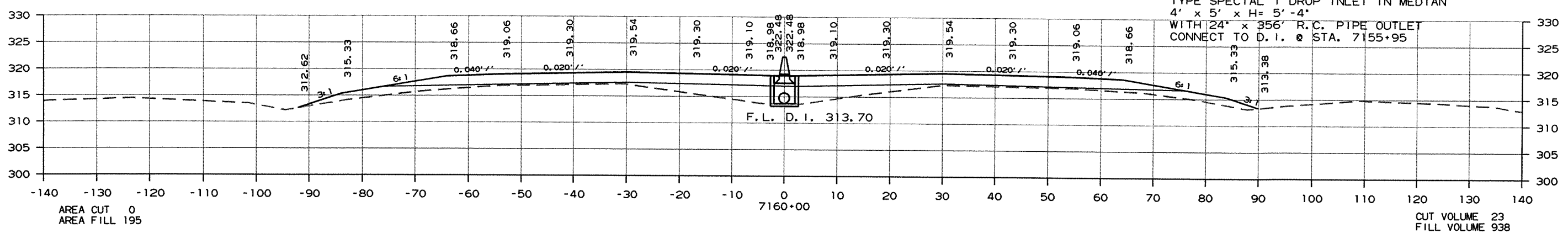
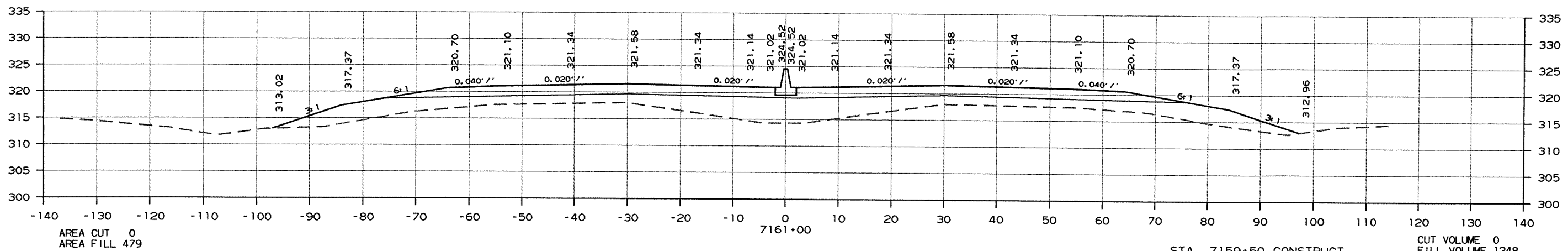
F.L. DI 308.36
F.L. OUTLET 307.81
F.L. INLET 308.97



CROSS SECTION STA. 7156+00 TO STA. 7158+00

DATE REVISED	DATE FILMED	DATE REVISED	DATE FILMED	FED. RD. DIST. NO.	STATE	FED. AID PROJ. NO.	SHEET NO.	TOTAL SHEETS
				6	ARK.			
						JOB NO. 080388	319	452

2 CROSS SECTIONS

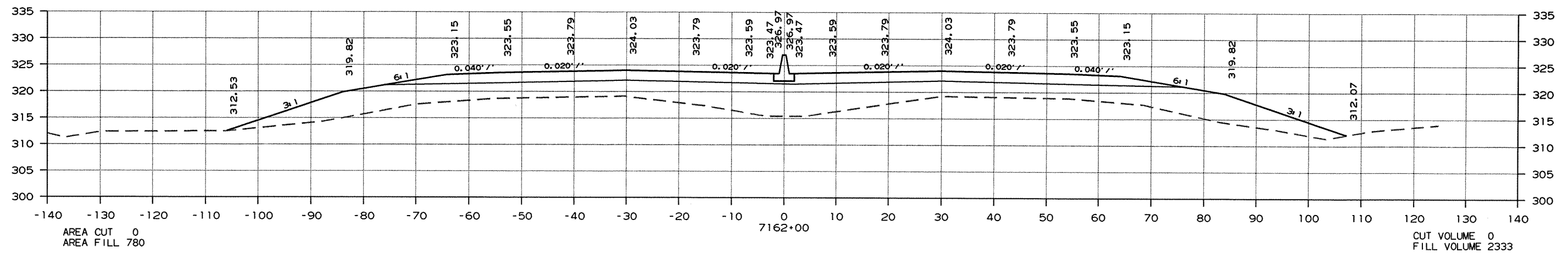
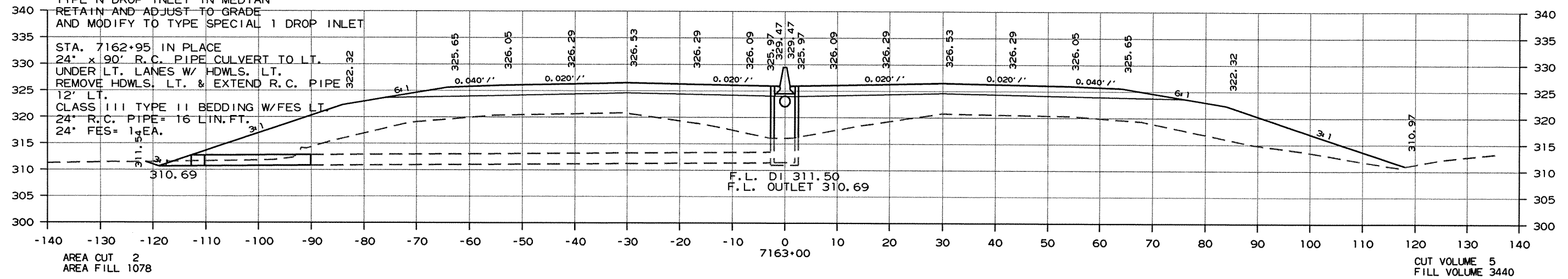
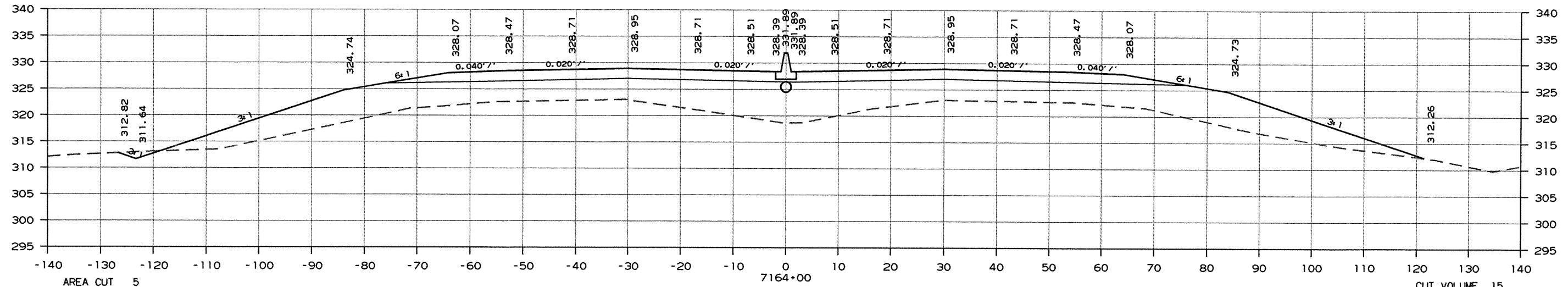


CROSS SECTION STA. 7159+00 TO STA. 7161+00

R080388.DGN 10/27/2011

DATE REVISED	DATE FILMED	DATE REVISED	DATE FILMED	FED. RD. DIST. NO.	STATE	FED. AID PROJ. NO.	SHEET NO.	TOTAL SHEETS
				6	ARK.			
JOB NO. 080388						320	452	

② CROSS SECTIONS

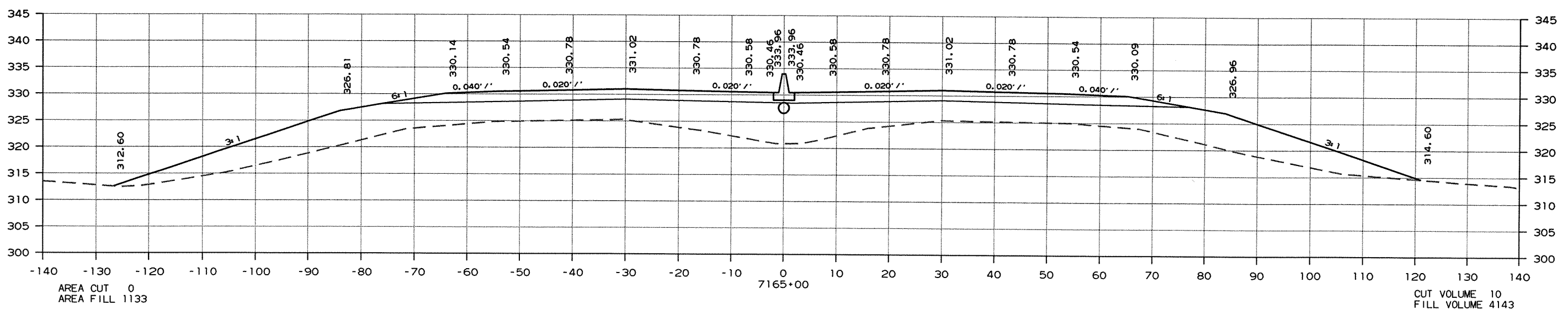
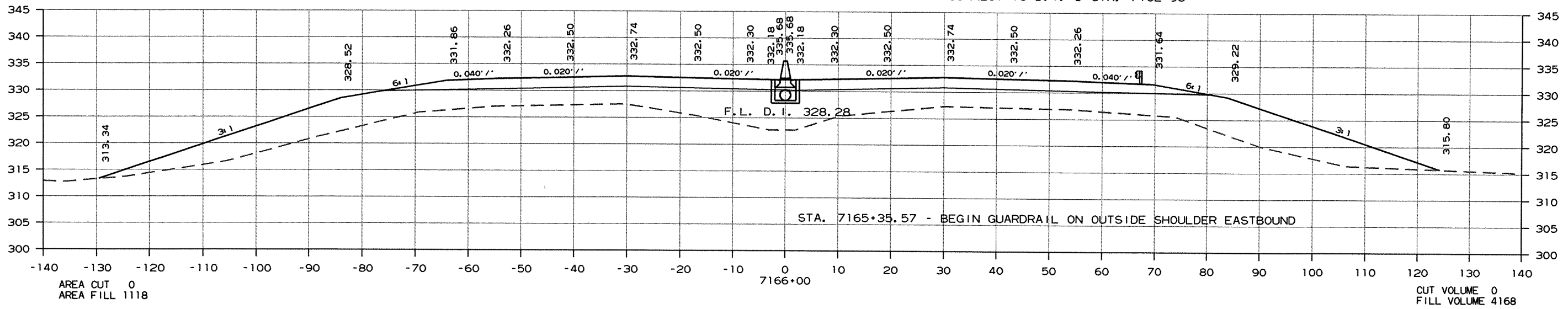


CROSS SECTION STA. 7162+00 TO STA. 7164+00

DATE REVISED	DATE FILMED	DATE REVISED	DATE FILMED	FED. RD. DIST. NO.	STATE	FED. AID PROJ. NO.	SHEET NO.	TOTAL SHEETS
				6	ARK.			
						JOB NO. 080388	321	452

2 CROSS SECTIONS

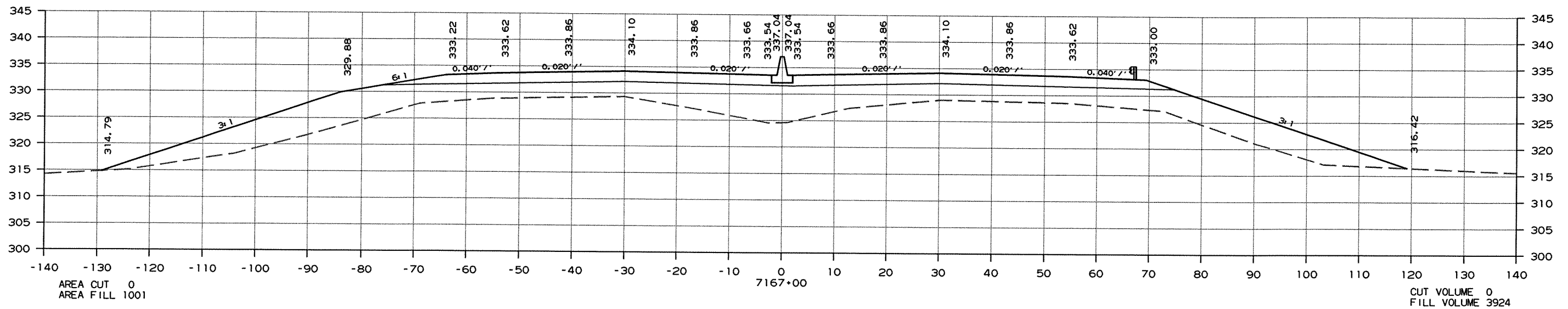
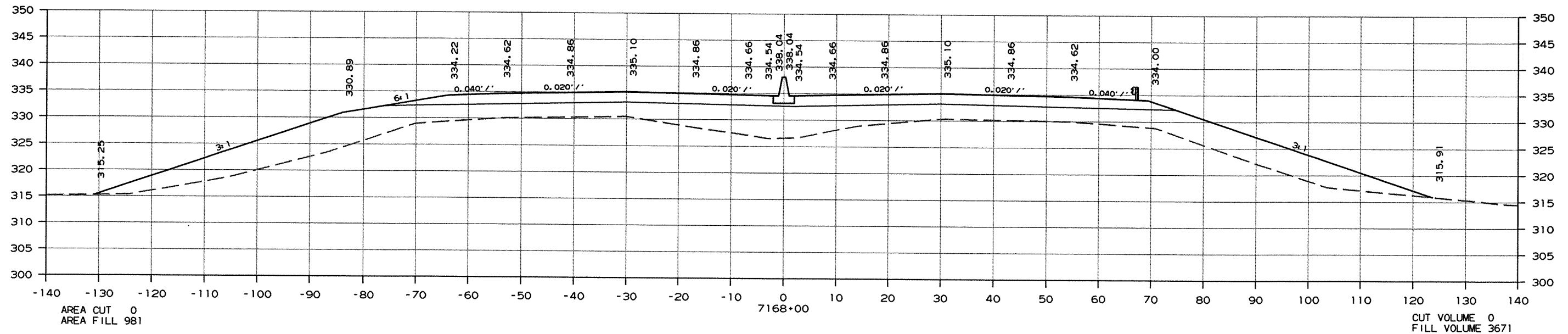
STA. 7166+00 CONSTRUCT
 TYPE SPECIAL 1 DROP INLET IN MEDIAN
 4' x 5' x H= 3'-11"
 WITH 24" x 306' R.C. PIPE OUTLET
 CONNECT TO D. I. @ STA. 7162+95



CROSS SECTION STA. 7165+00 TO STA. 7166+00

DATE REVISED	DATE FILMED	DATE REVISED	DATE FILMED	FED. RD. DIST. NO.	STATE	FED. AID PROJ. NO.	SHEET NO.	TOTAL SHEETS
				6	ARK.			
				JOB NO.	080388		322	452

② CROSS SECTIONS



CROSS SECTION STA. 7167+00 TO STA. 7168+00

10/26/2011
FIX.DGN

DATE REVISED	DATE FILMED	DATE REVISED	DATE FILMED	FED. RD. DIST. NO.	STATE	FED. AID PROJ. NO.	SHEET NO.	TOTAL SHEETS
				6	ARK.			
						JOB NO. 080388	323	452

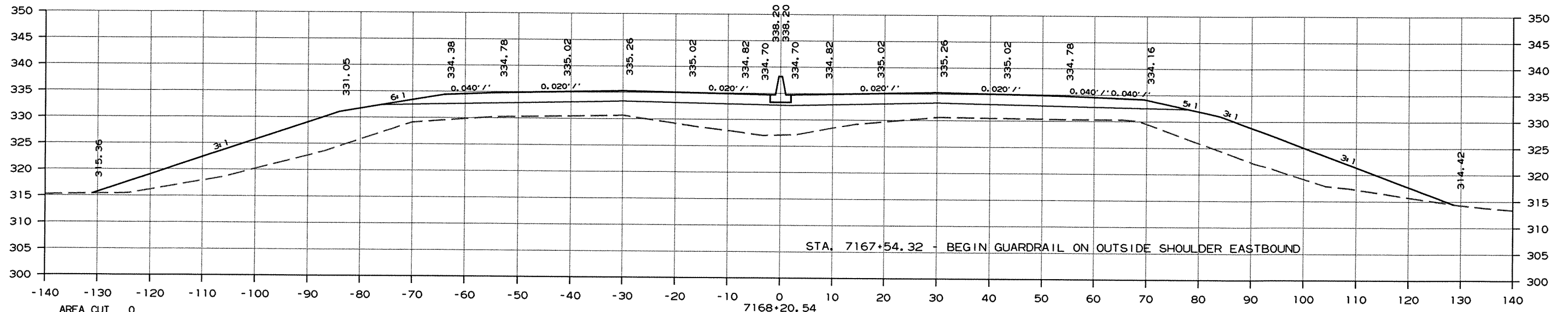
2 CROSS SECTIONS

AREA CUT 0
AREA FILL 1012

CUT VOLUME 0
FILL VOLUME 806

STA. 7168+63.50 - TOE OF SLOPE

STA. 7168+20.54 TO STA. 7172+40.46 CONSTRUCT
419' -11' x 126' CLEAR ROADWAY BRIDGE NO. 07226
417' CONT. COMP PLATE GIRDER UNIT (115', 187', 115')



AREA CUT 0
AREA FILL 1012

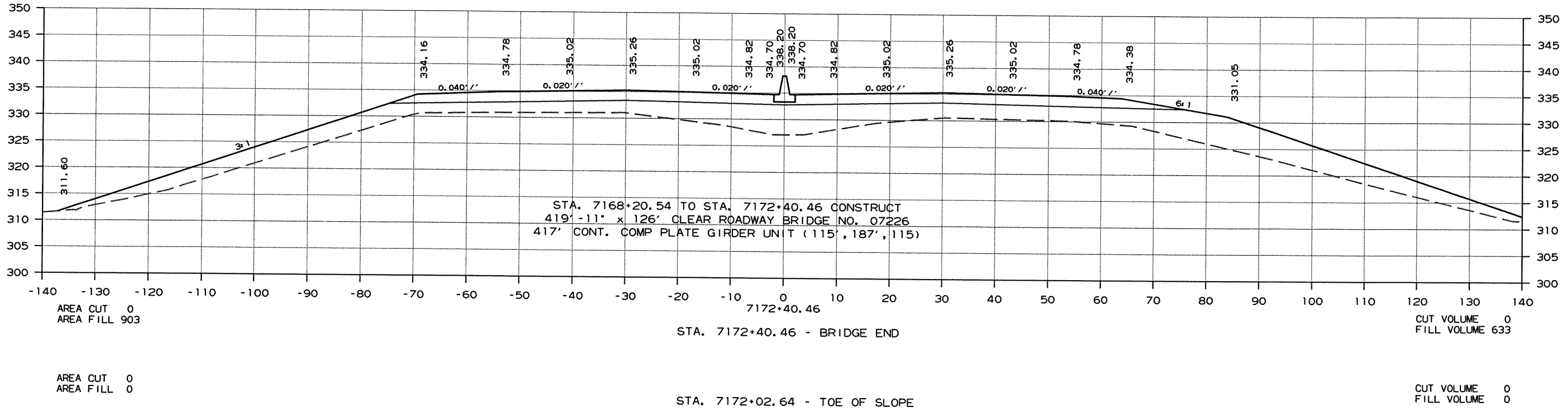
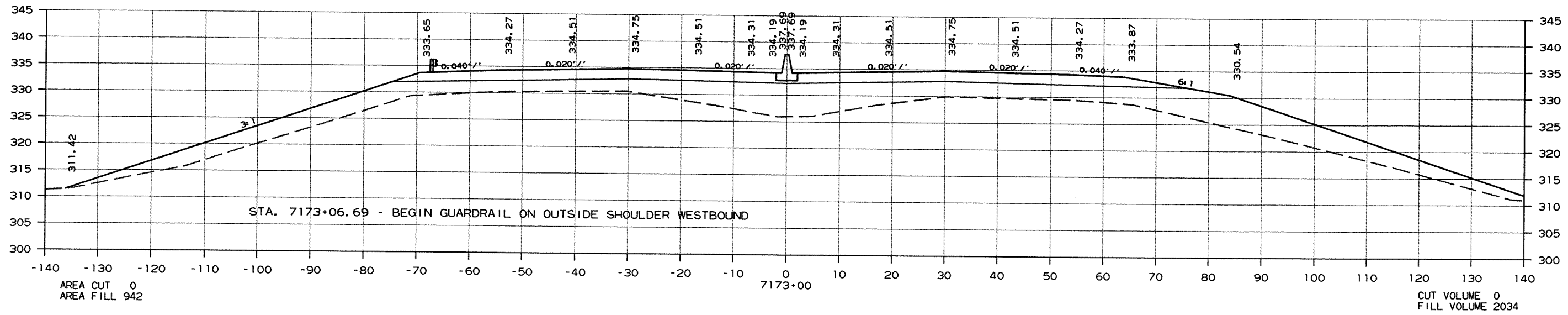
CUT VOLUME 0
FILL VOLUME 758

STA. 7168+20.54 - BEGIN BRIDGE

CROSS SECTION STA. 7168+21 TO STA. 7168+63.50

DATE REVISED	DATE FILMED	DATE REVISED	DATE FILMED	FED. RD. DIST. NO.	STATE	FED. AID PROJ. NO.	SHEET NO.	TOTAL SHEETS
				6	ARK.			
						JOB NO. 080388	324	452

2 CROSS SECTIONS

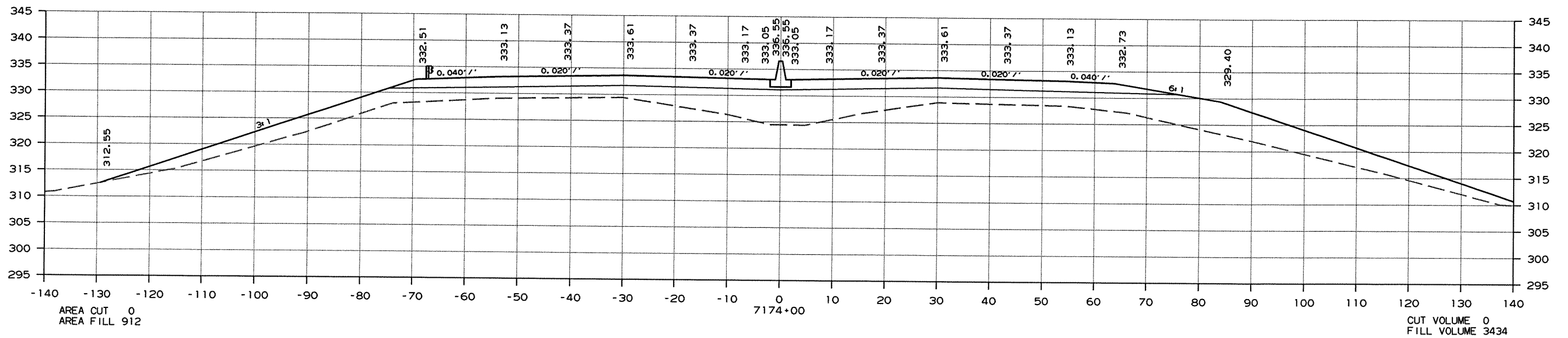
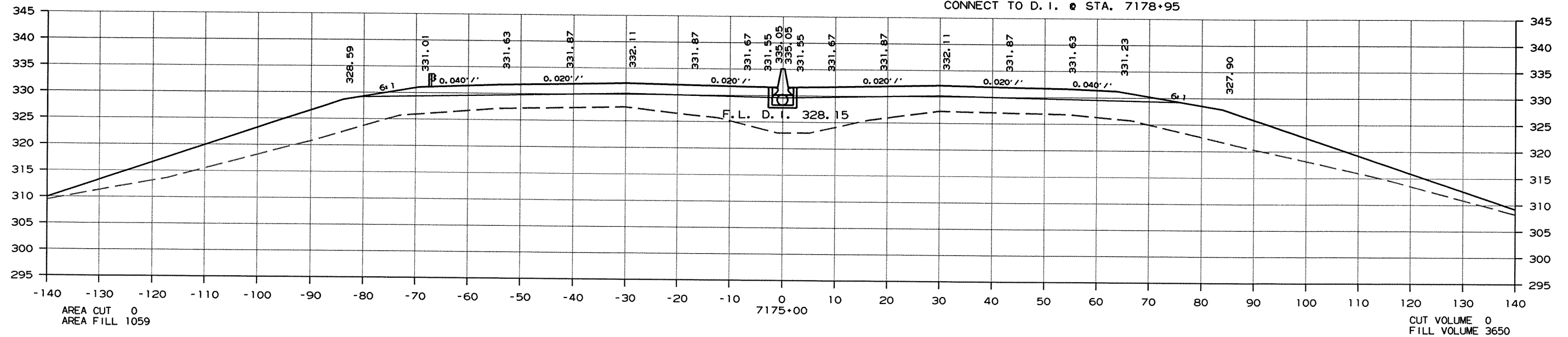


CROSS SECTION STA. 7172+02.64 TO STA. 7173+00

DATE REVISED	DATE FILMED	DATE REVISED	DATE FILMED	FED. RD. DIST. NO.	STATE	FED. AID PROJ. NO.	SHEET NO.	TOTAL SHEETS
				6	ARK.			
				JOB NO. 080388			325	452

2 CROSS SECTIONS

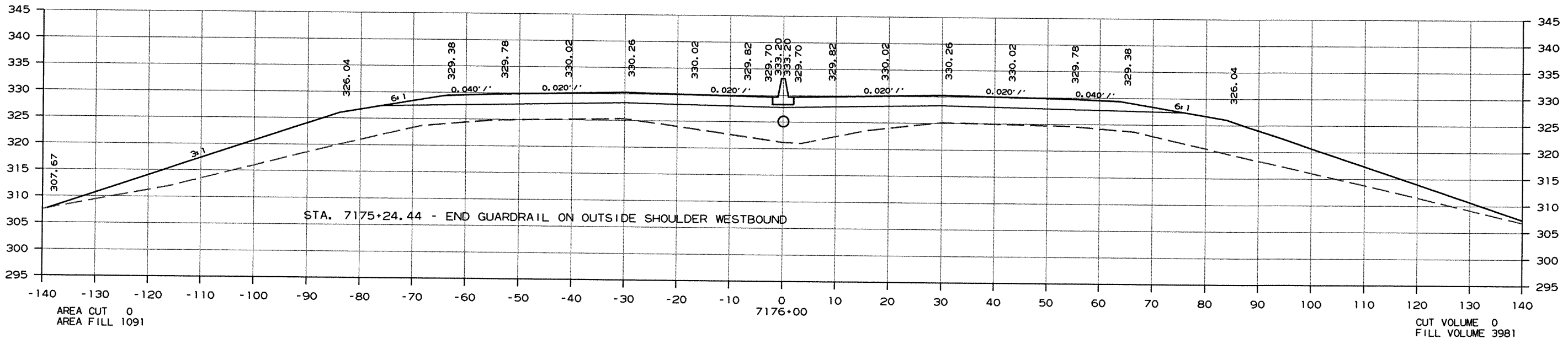
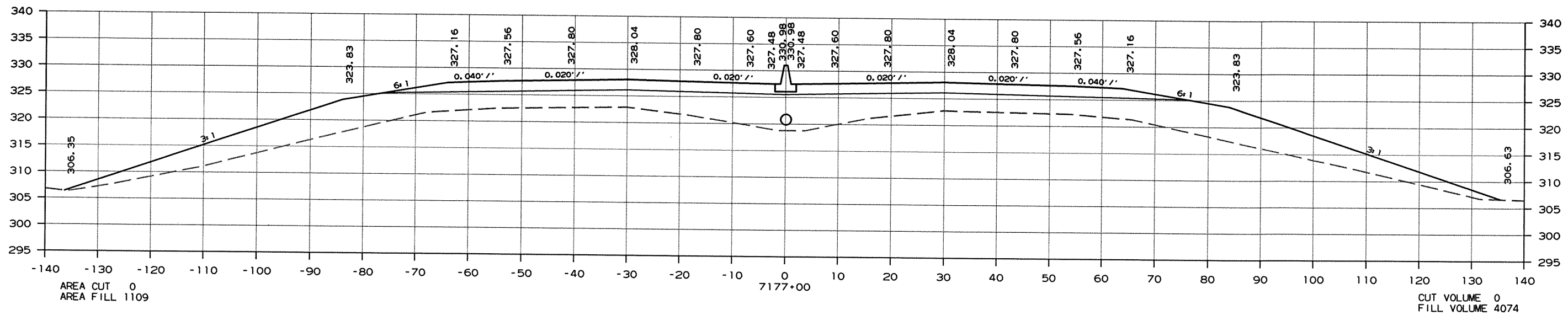
STA. 7175+00 CONSTRUCT
 TYPE SPECIAL 1 DROP INLET IN MEDIAN
 4' x 5' x H= 3' -5"
 WITH 24" x 396" R.C. PIPE OUTLET
 CONNECT TO D. I. @ STA. 7178+95



CROSS SECTION STA. 7174+00 TO STA. 7175+00

DATE REVISED	DATE FILMED	DATE REVISED	DATE FILMED	FED. RD. DIST. NO.	STATE	FED. AID PROJ. NO.	SHEET NO.	TOTAL SHEETS
				6	ARK.			
JOB NO.						080388	326	452

2 CROSS SECTIONS



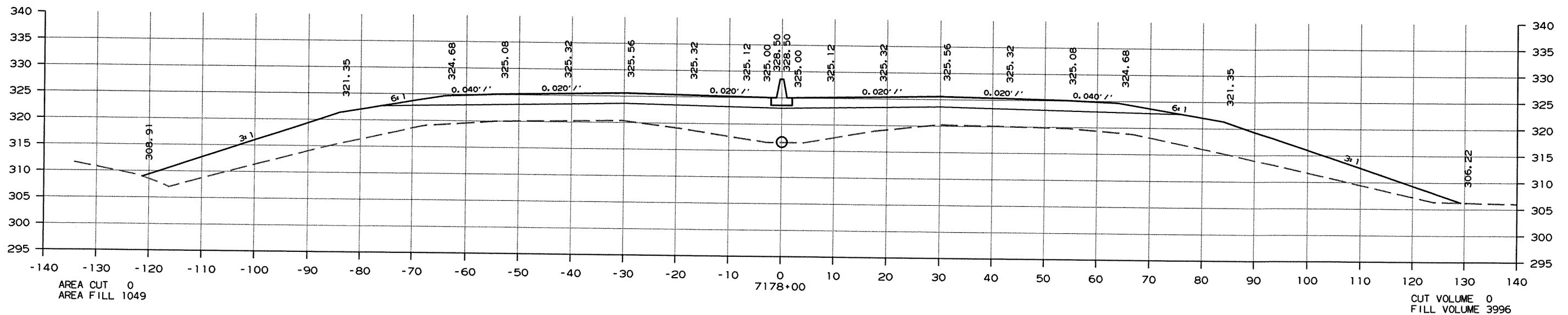
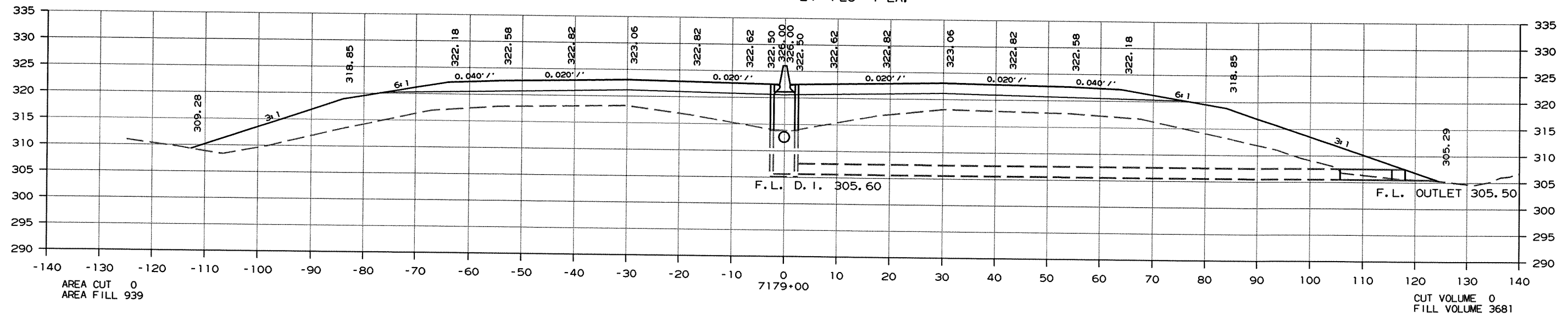
CROSS SECTION STA. 7176+00 TO STA. 7177+00

DATE REVISED	DATE FILMED	DATE REVISED	DATE FILMED	FED. RD. DIST. NO.	STATE	FED. AID PROJ. NO.	SHEET NO.	TOTAL SHEETS
				6	ARK.			
						JOB NO. 080388	327	452

② CROSS SECTIONS

STA. 7178+95 IN PLACE
 TYPE N DROP INLET IN MEDIAN
 RETAIN AND ADJUST TO GRADE
 AND MODIFY TO TYPE SPECIAL 1 DROP INLET

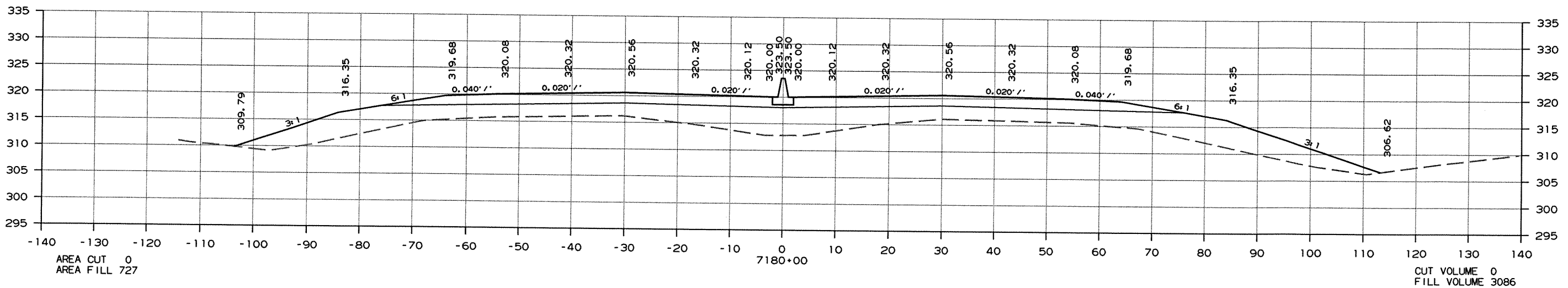
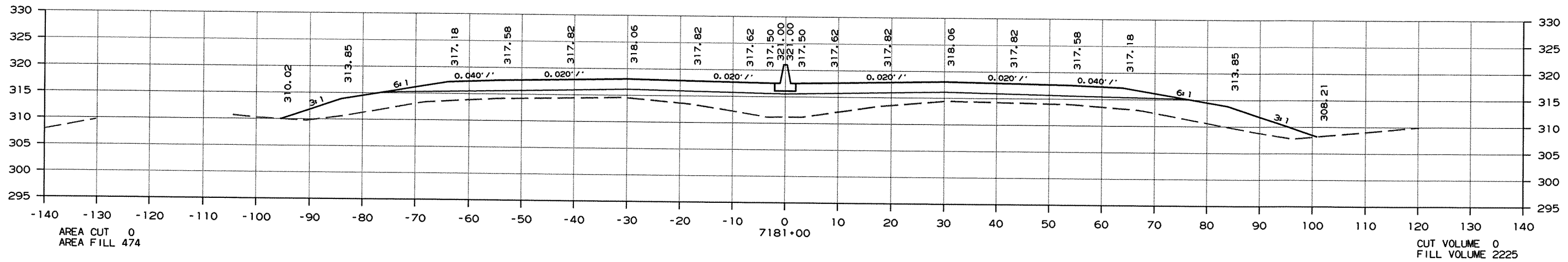
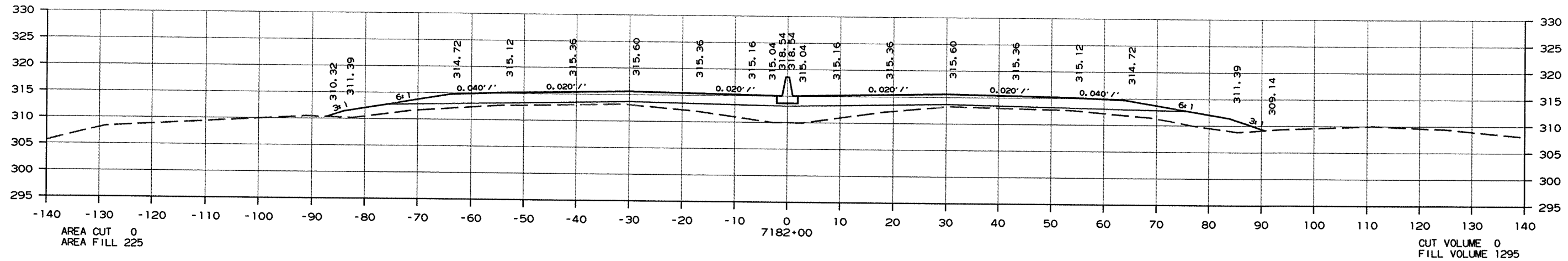
STA. 7178+95 IN PLACE
 24' x 102' R.C. PIPE CULVERT TO RT.
 UNDER RT. LANES W. HDWLS. RT.
 REMOVE HDWLS. RT. & EXTEND R.C. PIPE
 10' RT.
 CLASS III (TYPE III BEDDING) W/ FES
 24" R.C. PIPE = 14 LIN. FT.
 24" FES = 1 EA.



CROSS SECTION STA. 7178+00 TO STA. 7179+00

DATE REVISED	DATE FILMED	DATE REVISED	DATE FILMED	FED. RD. DIST. NO.	STATE	FED. AID PROJ. NO.	SHEET NO.	TOTAL SHEETS
				6	ARK.			
						JOB NO. 080388	328	452

2 CROSS SECTIONS

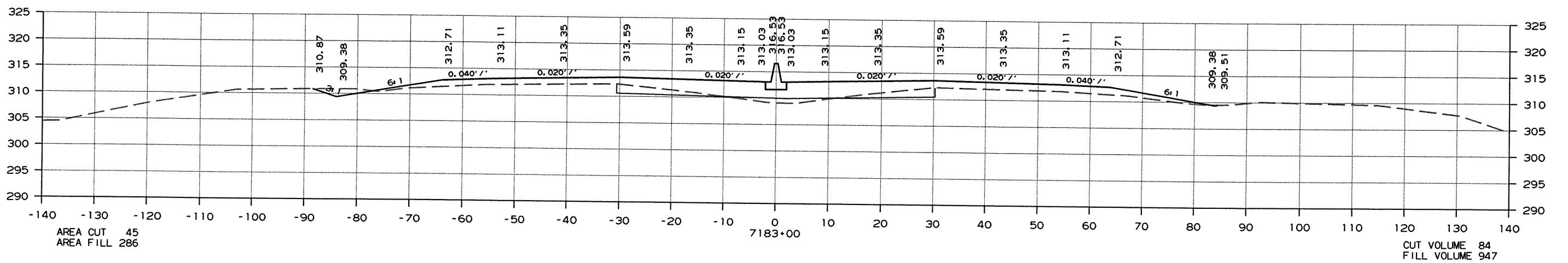
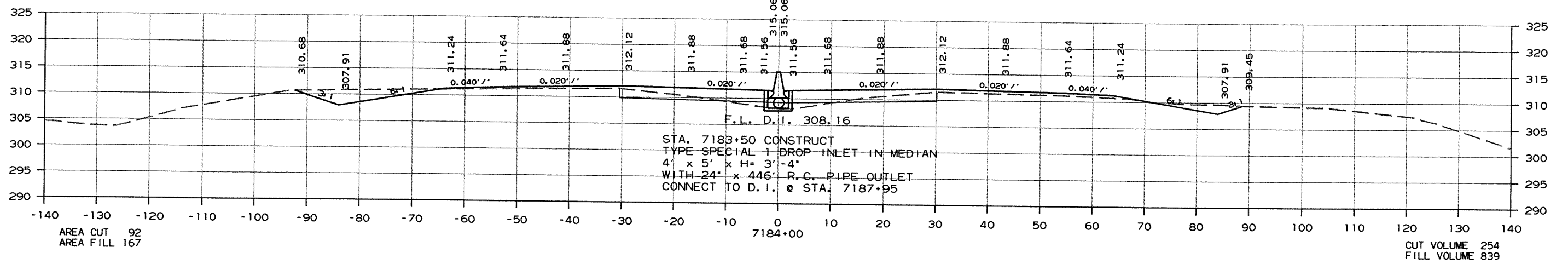
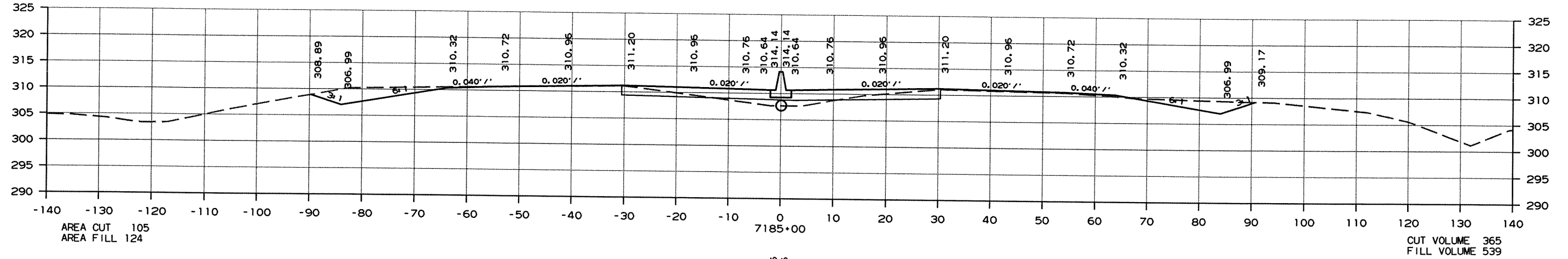


CROSS SECTION STA. 7180+00 TO STA. 7182+00

DATE REVISED	DATE FILMED	DATE REVISED	DATE FILMED	FED. RD. DIST. NO.	STATE	FED. AID PROJ. NO.	SHEET NO.	TOTAL SHEETS
				6	ARK.			
JOB NO. 080388							329	452

2 CROSS SECTIONS

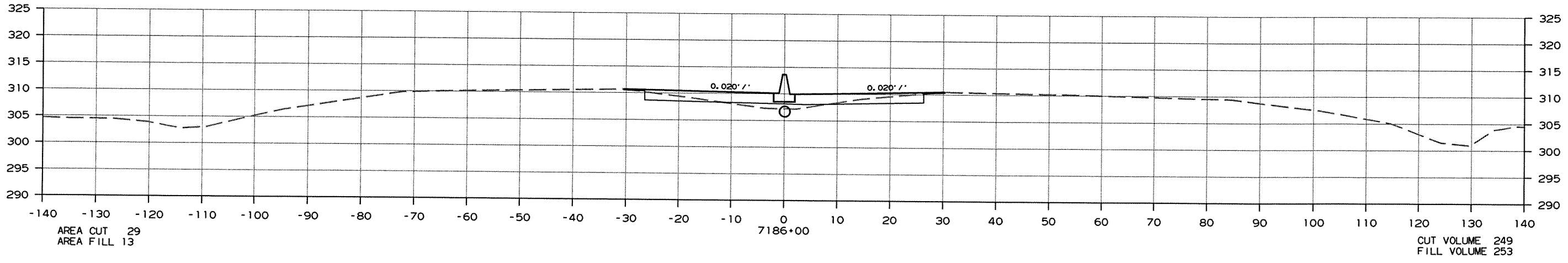
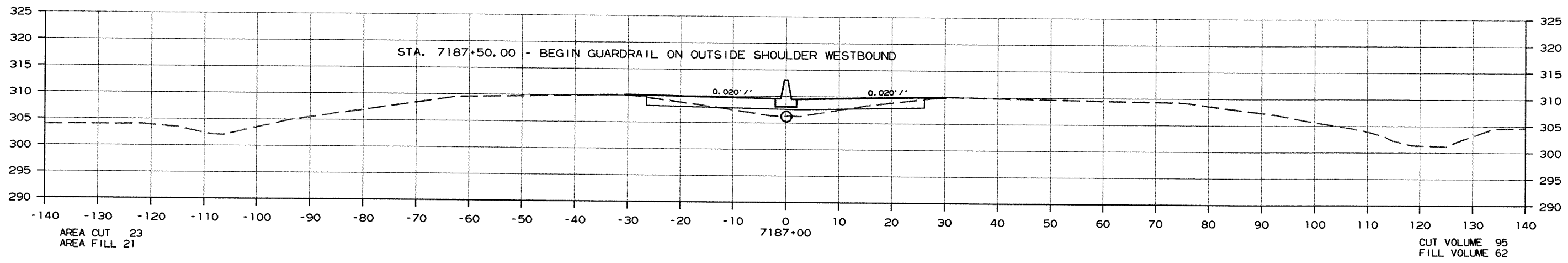
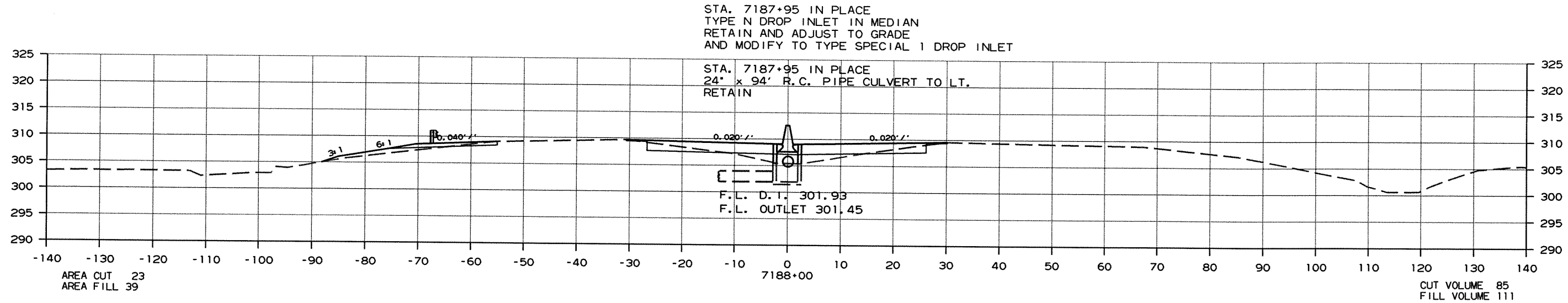
STA. 7185+20.44 - END PROFILE GRADE



CROSS SECTION STA. 7183+00 TO STA. 7185+00

DATE REVISED	DATE FILMED	DATE REVISED	DATE FILMED	FED. RD. DIST. NO.	STATE	FED. AID PROJ. NO.	SHEET NO.	TOTAL SHEETS
				6	ARK.			
						JOB NO. 080388	330	452

② CROSS SECTIONS

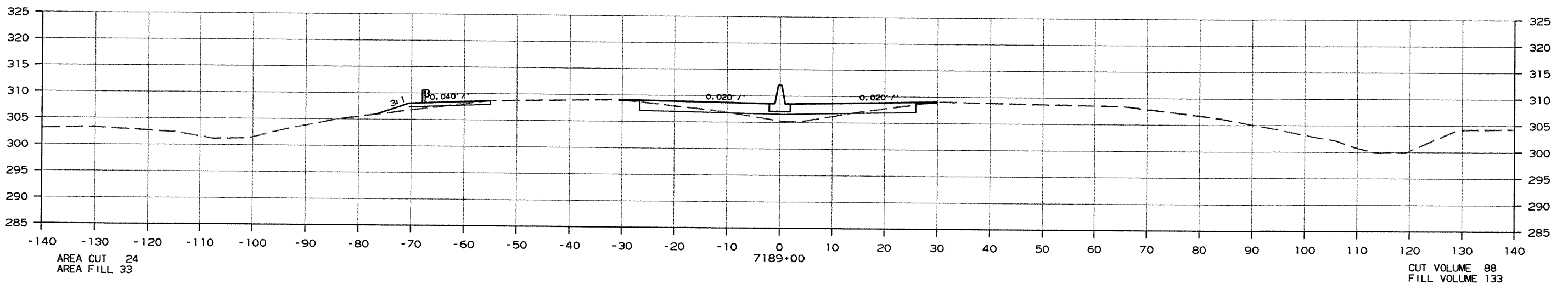
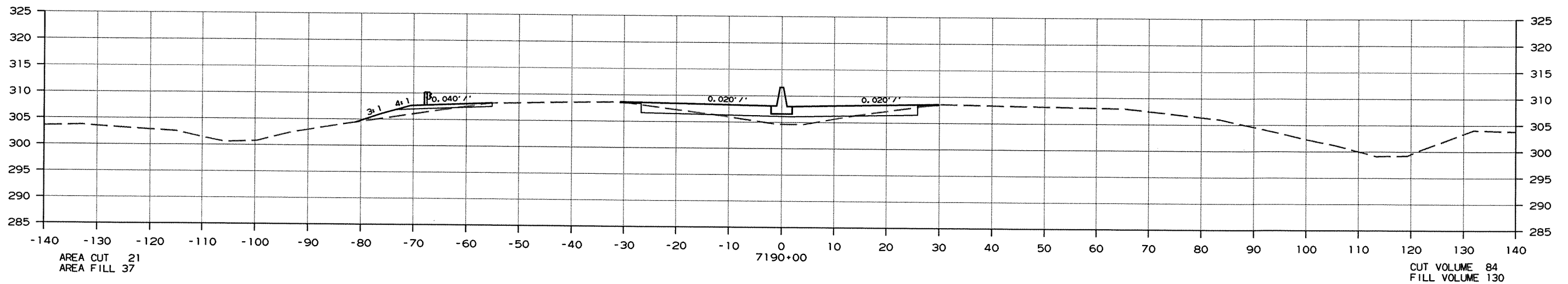
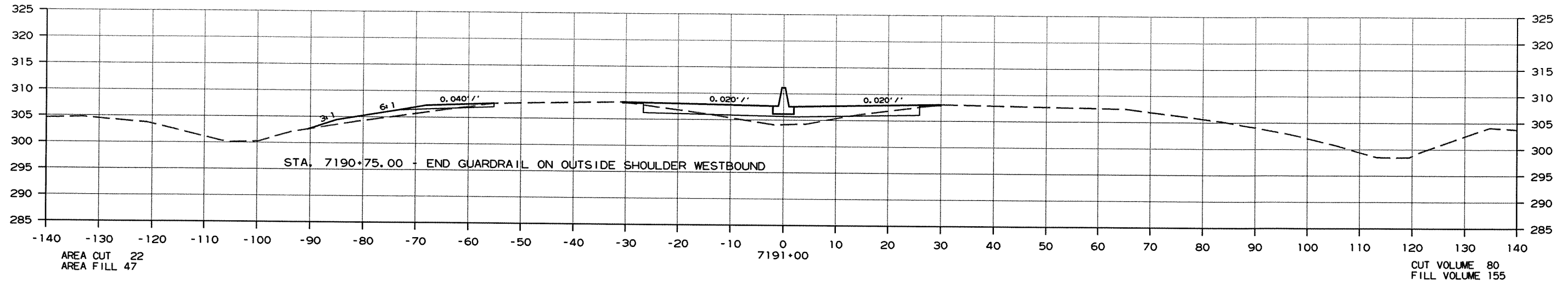


CROSS SECTION STA. 7186+00 TO STA. 7188+00

R080388.DGN 10/25/2011

DATE REVISED	DATE FILMED	DATE REVISED	DATE FILMED	FED. DIST. NO.	STATE	FED. AID PROJ. NO.	SHEET NO.	TOTAL SHEETS
				6	ARK.			
JOB NO.						080388	331	452

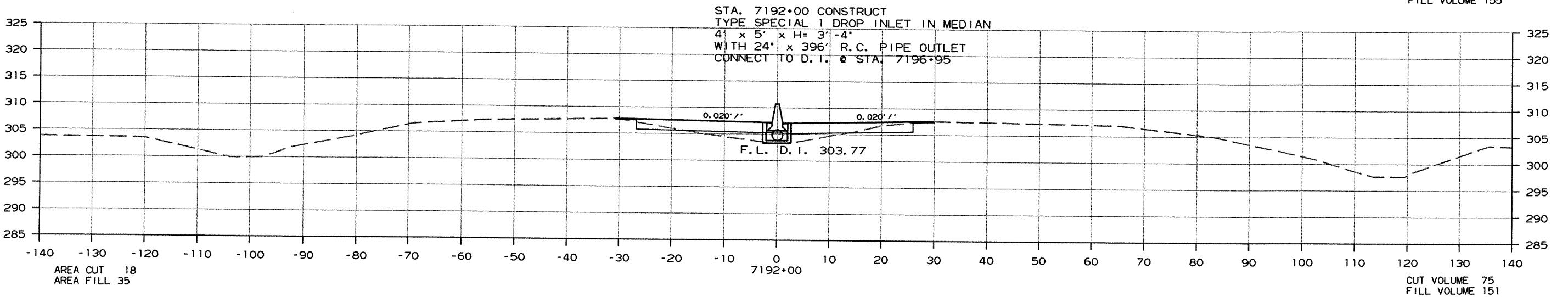
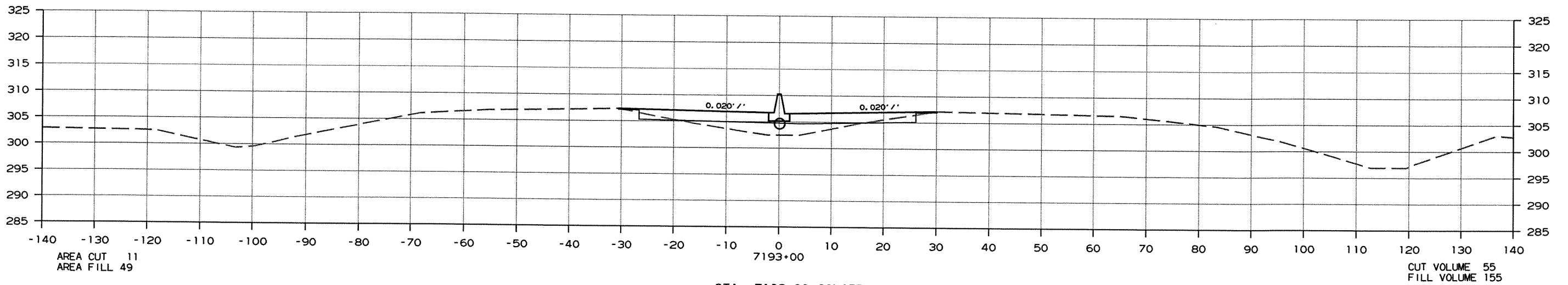
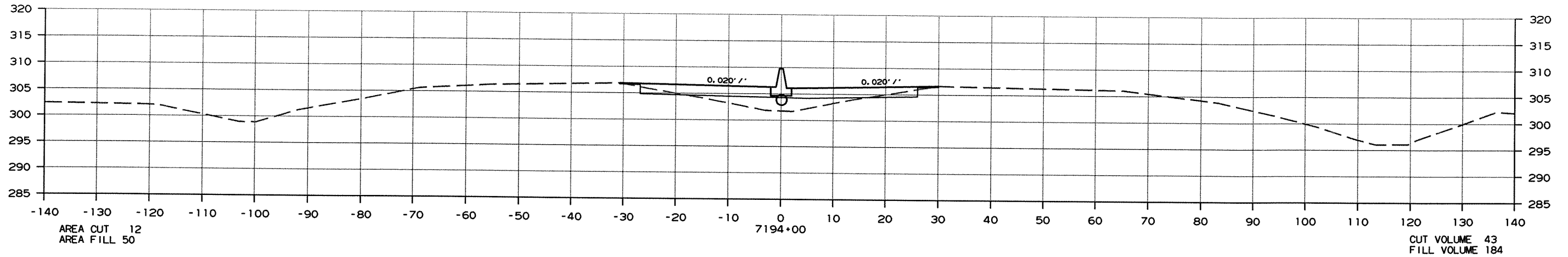
2 CROSS SECTIONS



CROSS SECTION STA. 7189+00 TO STA. 7191+00

DATE REVISED	DATE FILMED	DATE REVISED	DATE FILMED	FED. DIST. NO.	STATE	FED. AID PROJ. NO.	SHEET NO.	TOTAL SHEETS
				6	ARK.			
				JOB NO.	080388		332	452

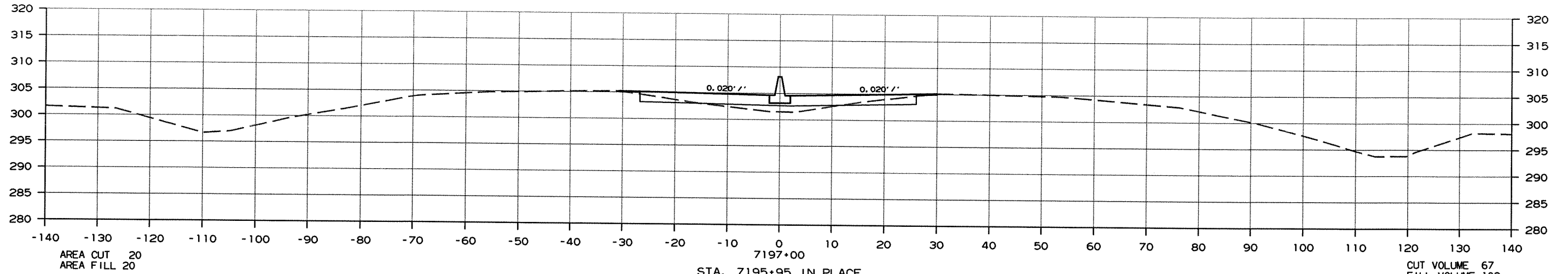
2 CROSS SECTIONS



CROSS SECTION STA. 7192+00 TO STA. 7194+00

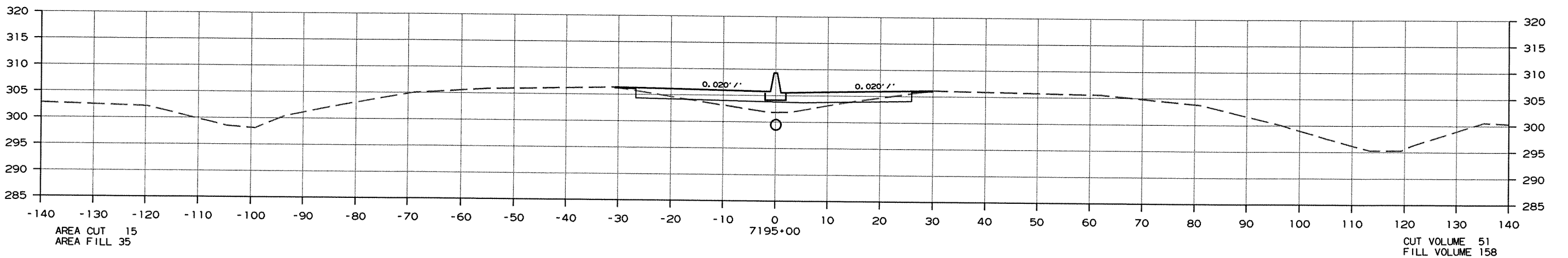
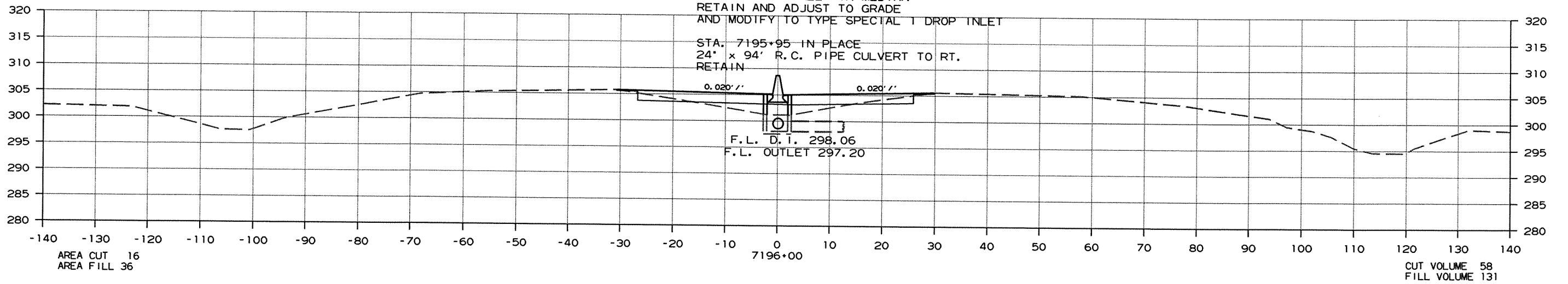
DATE REVISED	DATE FILMED	DATE REVISED	DATE FILMED	FED. RD. DIST. NO.	STATE	FED. AID PROJ. NO.	SHEET NO.	TOTAL SHEETS
				6	ARK.			
						JOB NO. 080388	333	452

② CROSS SECTIONS



STA. 7195+95 IN PLACE
TYPE N DROP INLET IN MEDIAN
RETAIN AND ADJUST TO GRADE
AND MODIFY TO TYPE SPECIAL T DROP INLET

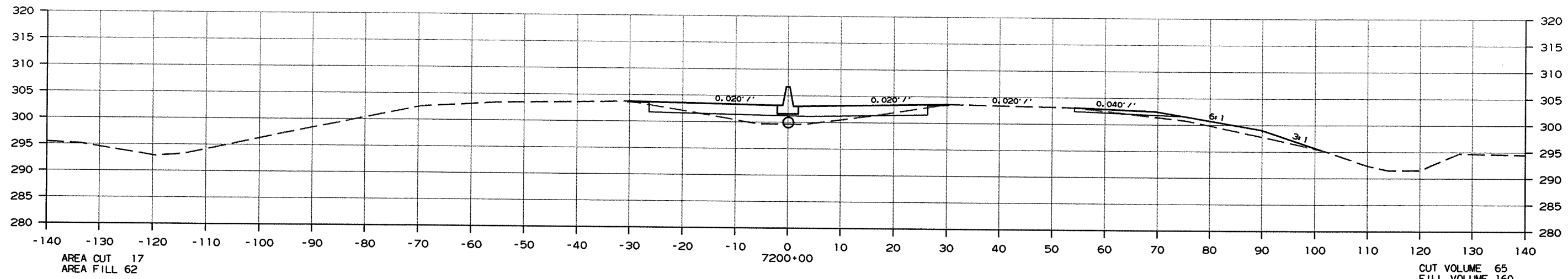
STA. 7195+95 IN PLACE
24' x 94' R.C. PIPE CULVERT TO RT.
RETAIN



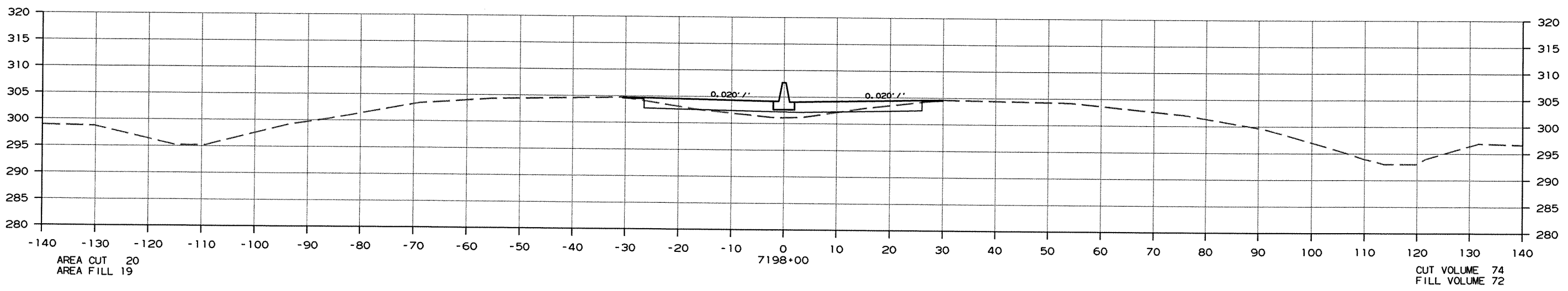
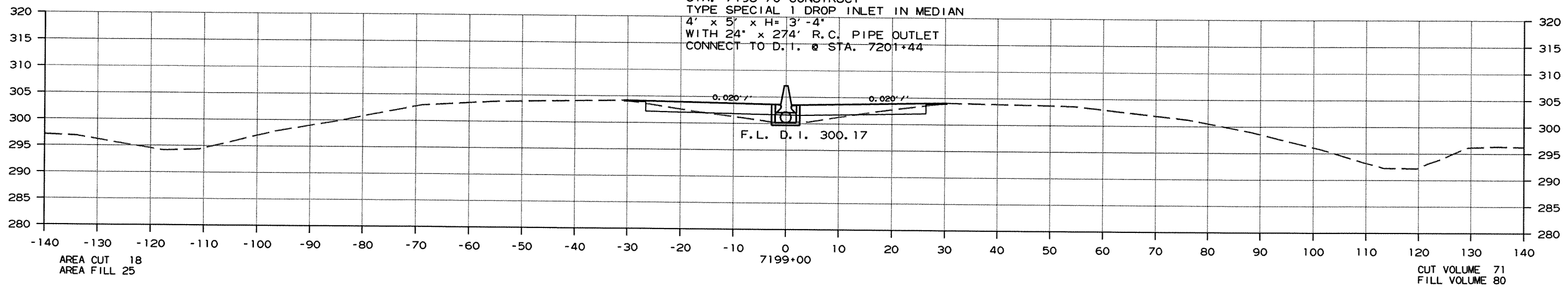
CROSS SECTION STA. 7195+00 TO STA. 7197+00

DATE REVISED	DATE FILMED	DATE REVISED	DATE FILMED	FED. RD. DIST. NO.	STATE	FED. AID PROJ. NO.	SHEET NO.	TOTAL SHEETS
				6	ARK.			
JOB NO. 080388							334	452

② CROSS SECTIONS



STA. 7198+70 CONSTRUCT
TYPE SPECIAL 1 DROP INLET IN MEDIAN
4' x 5' x H=3'-4"
WITH 24' x 274' R.C. PIPE OUTLET
CONNECT TO D.I. @ STA. 7201+44

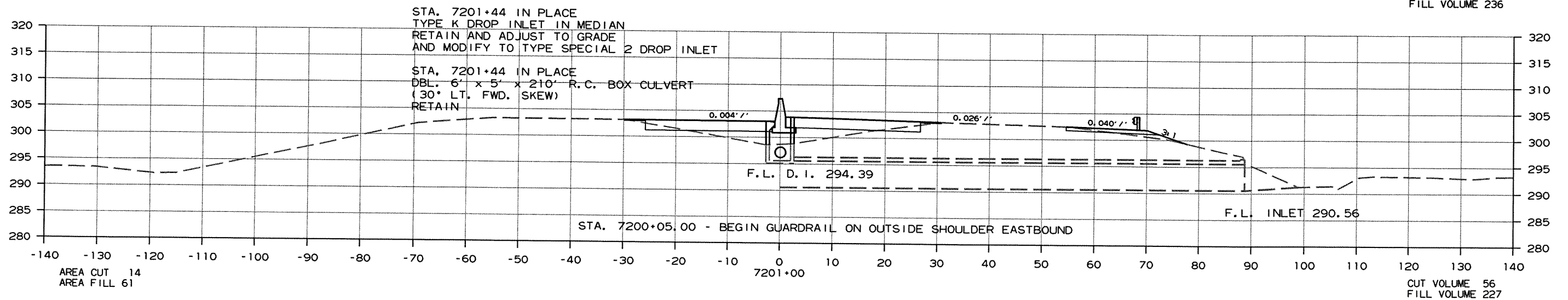
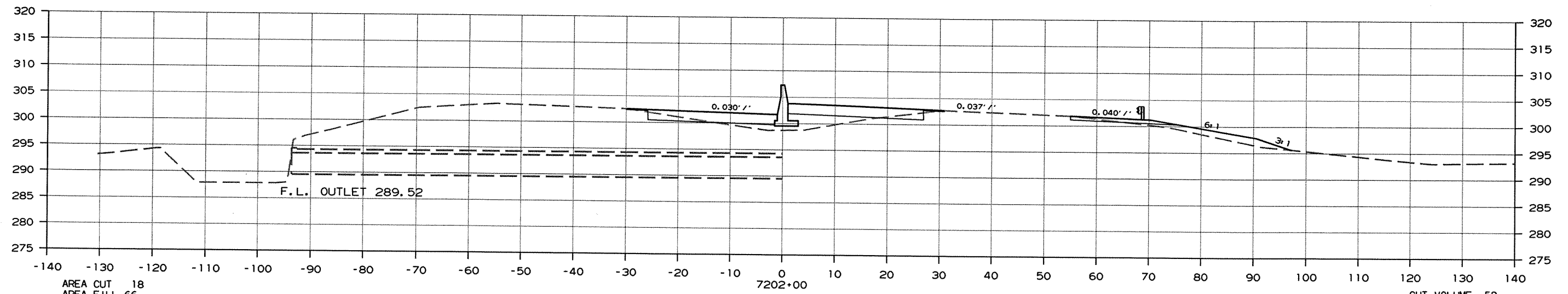


CROSS SECTION STA. 7198+00 TO STA. 7200+00

R080388.DGN 10/25/2011

DATE REVISED	DATE FILMED	DATE REVISED	DATE FILMED	FED. RD. DIST. NO.	STATE	FED. AID PROJ. NO.	SHEET NO.	TOTAL SHEETS
				6	ARK.			
JOB NO. 080388							335	452

② CROSS SECTIONS

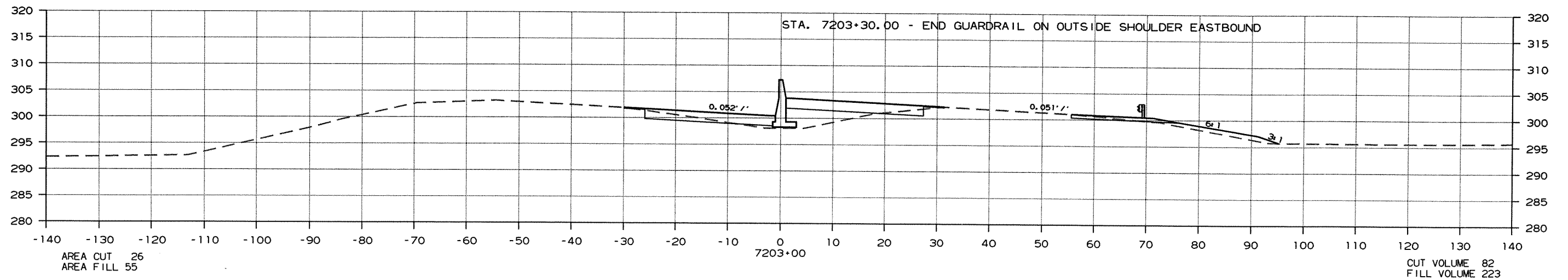
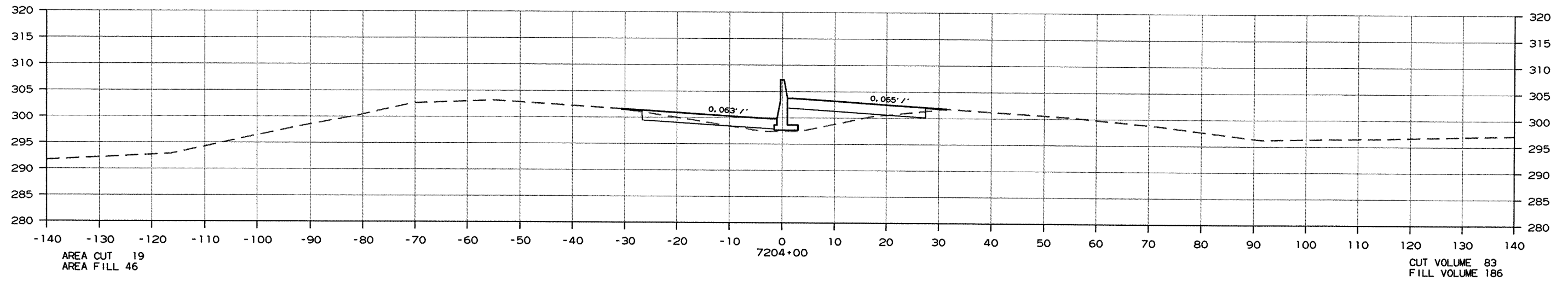
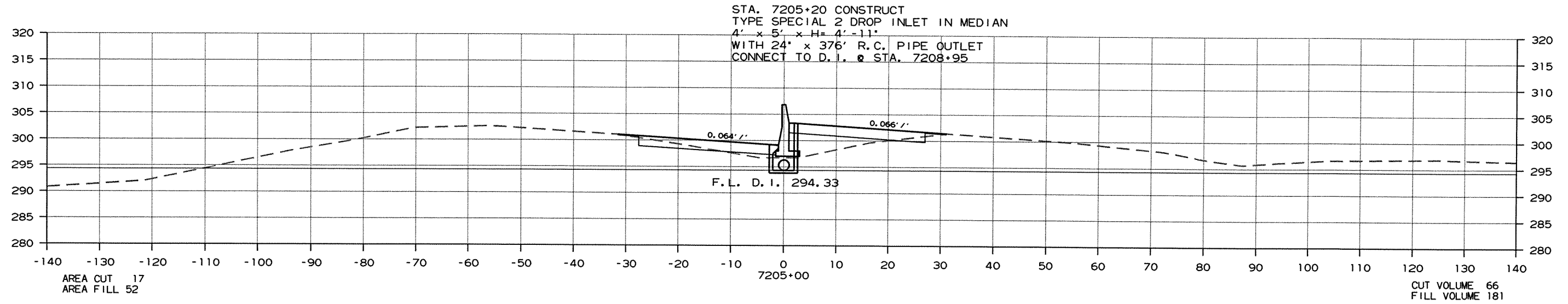


CROSS SECTION STA. 7201+00 TO STA. 7202+00

R080388.DGN 10/25/2011

DATE REVISED	DATE FILMED	DATE REVISED	DATE FILMED	FED. RD. DIST. NO.	STATE	FED. AID PROJ. NO.	SHEET NO.	TOTAL SHEETS
				6	ARK.			
JOB NO. 080388							336	452

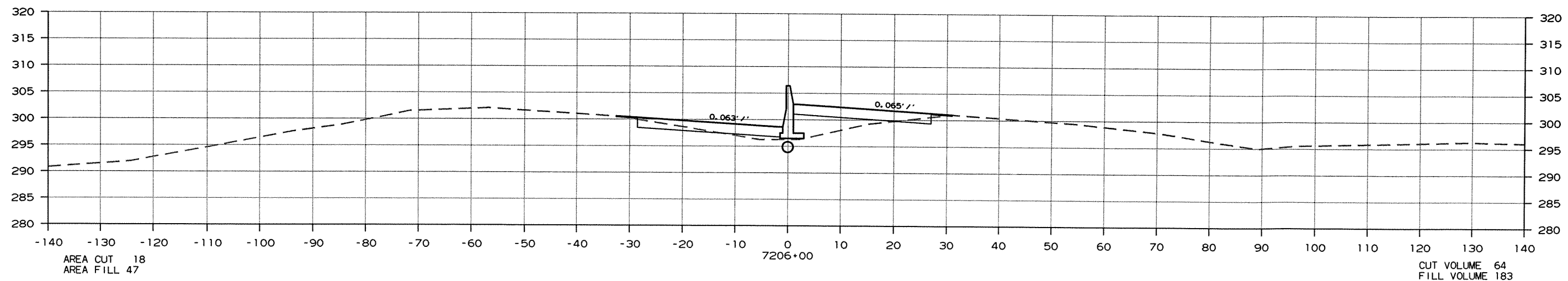
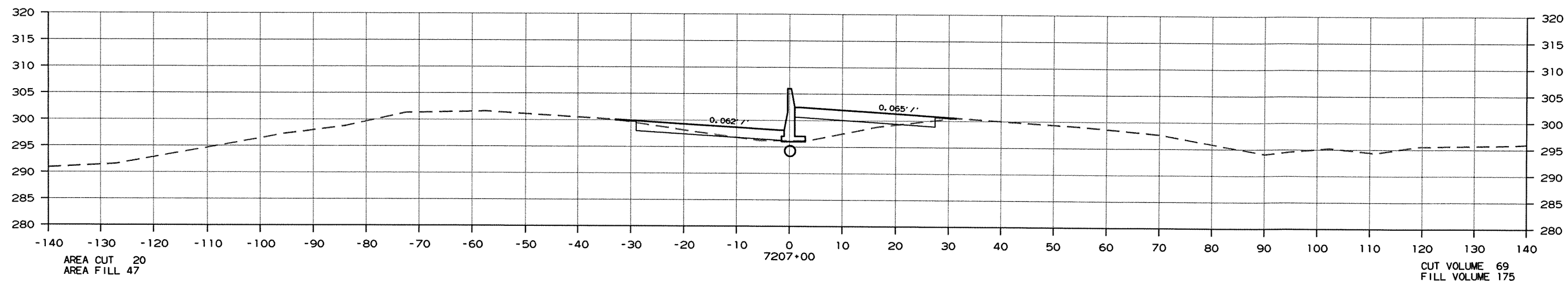
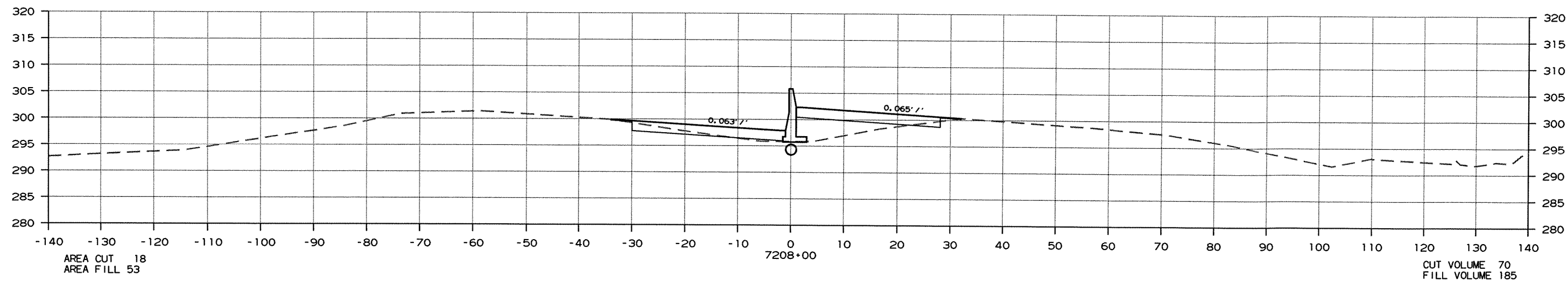
② CROSS SECTIONS



CROSS SECTION STA. 7203+00 TO STA. 7205+00

DATE REVISED	DATE FILMED	DATE REVISED	DATE FILMED	FED. RD. DIST. NO.	STATE	FED. AID PROJ. NO.	SHEET NO.	TOTAL SHEETS
				6	ARK.			
						JOB NO. 080388	337	452

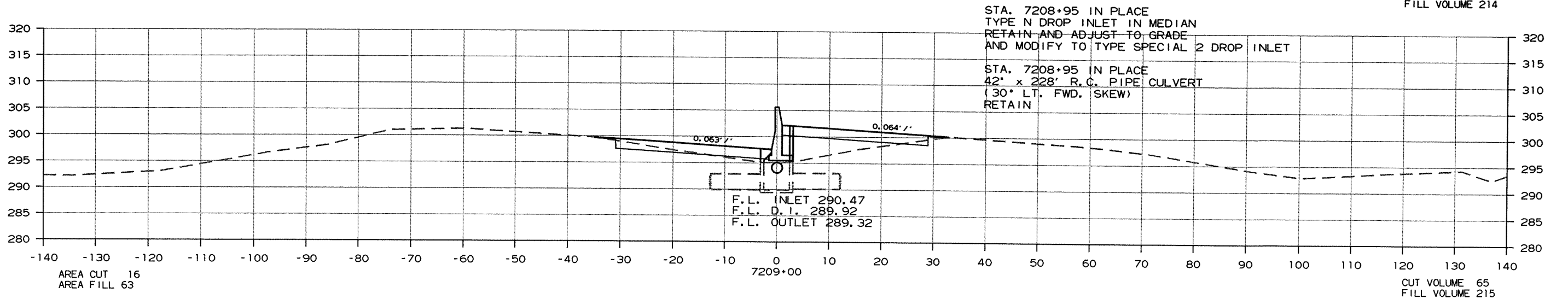
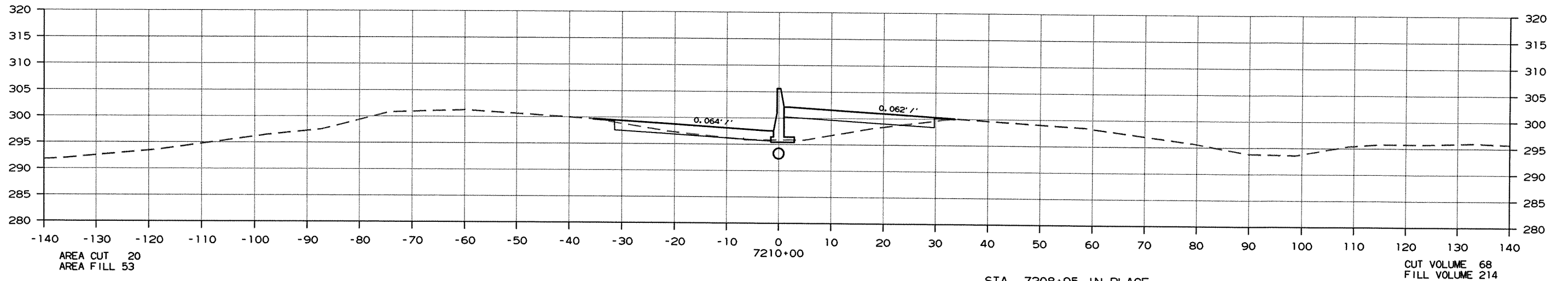
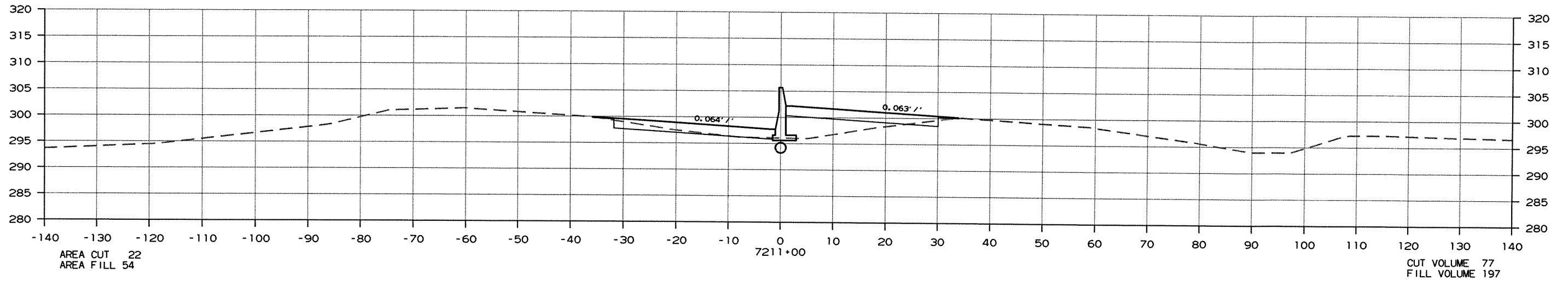
2 CROSS SECTIONS



CROSS SECTION STA. 7206+00 TO STA. 7208+00

DATE REVISED	DATE FILMED	DATE REVISED	DATE FILMED	FED. RD. DIST. NO.	STATE	FED. AID PROJ. NO.	SHEET NO.	TOTAL SHEETS
				6	ARK.			
						JOB NO. 080388	338	452

2 CROSS SECTIONS



STA. 7208+95 IN PLACE
TYPE N DROP INLET IN MEDIAN
RETAIN AND ADJUST TO GRADE
AND MODIFY TO TYPE SPECIAL 2 DROP INLET

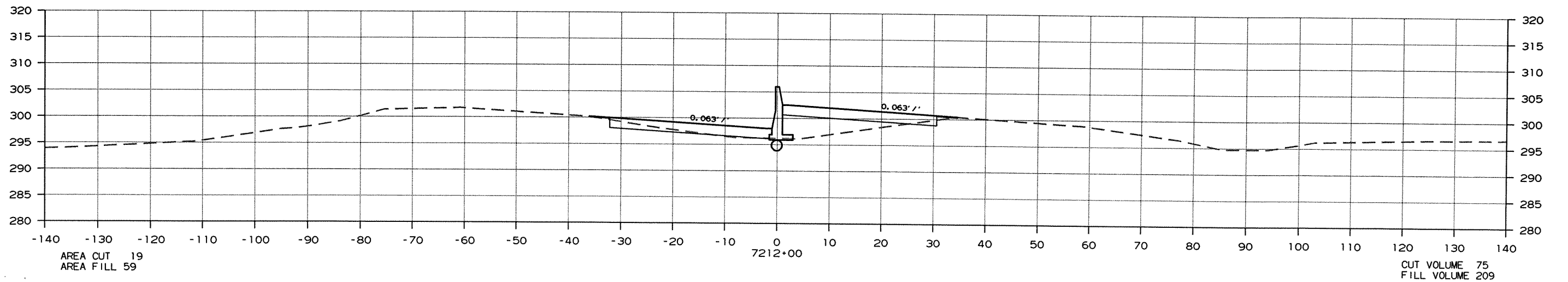
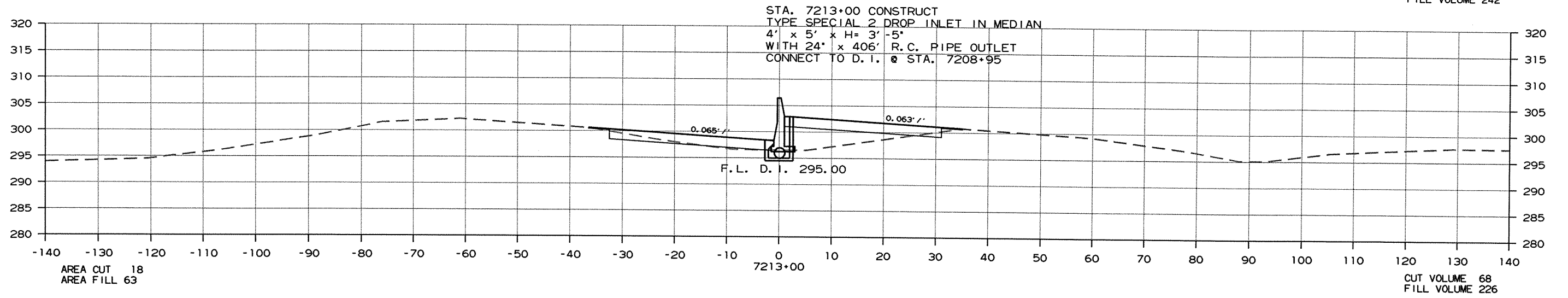
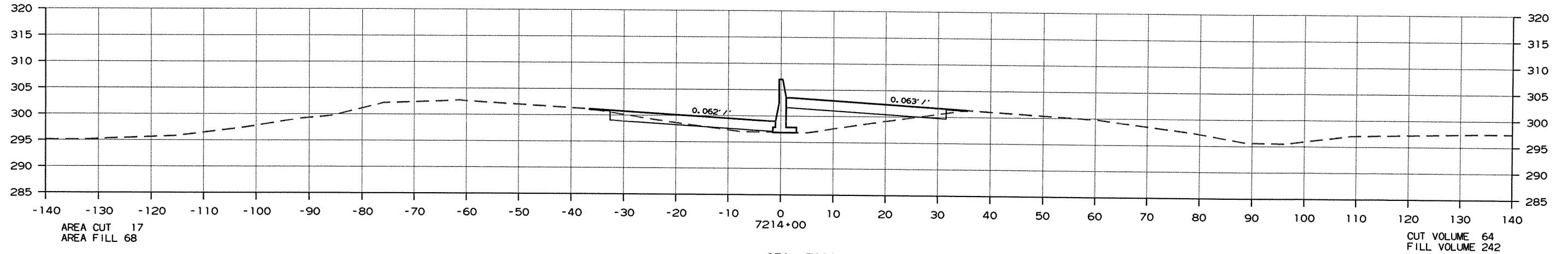
STA. 7208+95 IN PLACE
42" x 228" R.C. PIPE CULVERT
(30° LT. FWD. SKEW)
RETAIN

F.L. INLET 290.47
F.L. D.I. 289.92
F.L. OUTLET 289.32

CROSS SECTION STA. 7209+00 TO STA. 7211+00

DATE REVISED	DATE FILMED	DATE REVISED	DATE FILMED	FED. RD. DIST. NO.	STATE	FED. AID PROJ. NO.	SHEET NO.	TOTAL SHEETS
				6	ARK.			
JOB NO. 080388							339	452

② CROSS SECTIONS

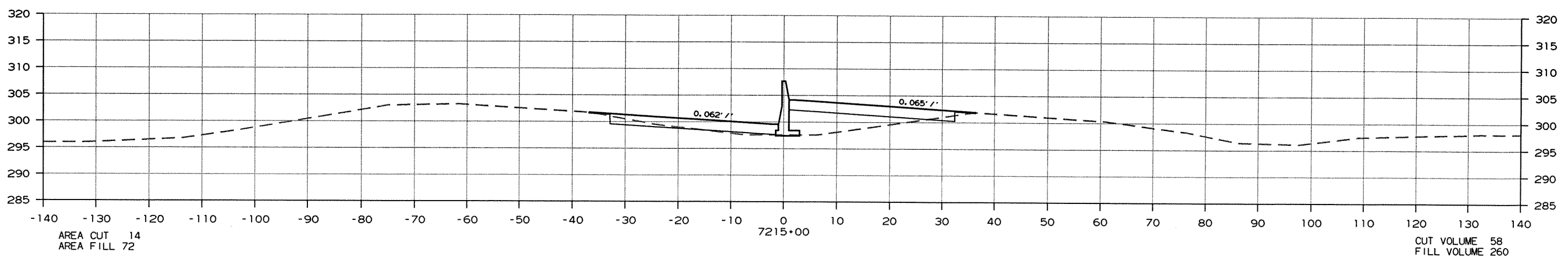
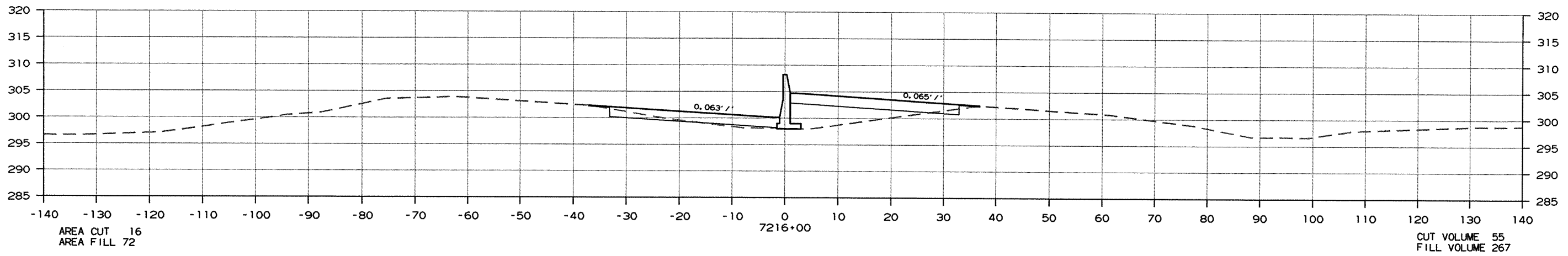
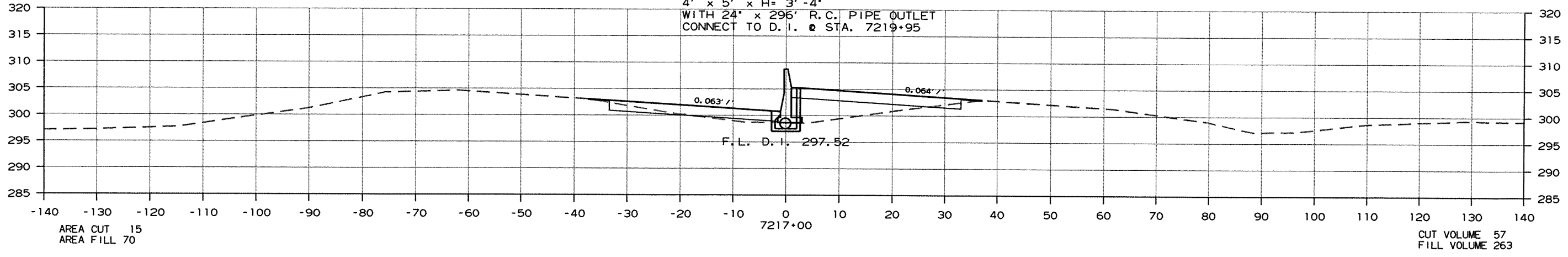


CROSS SECTION STA. 7212+00 TO STA. 7214+00

DATE REVISED	DATE FILMED	DATE REVISED	DATE FILMED	FED. RD. DIST. NO.	STATE	FED. AID PROJ. NO.	SHEET NO.	TOTAL SHEETS
				6	ARK.			
						JOB NO. 080388	340	452

2 CROSS SECTIONS

STA. 7217+00 CONSTRUCT
 TYPE SPECIAL 2 DROP INLET IN MEDIAN
 4' x 5' x H= 3' -4'
 WITH 24" x 296' R. C. PIPE OUTLET
 CONNECT TO D. I. @ STA. 7219+95



CROSS SECTION STA. 7215+00 TO STA. 7217+00

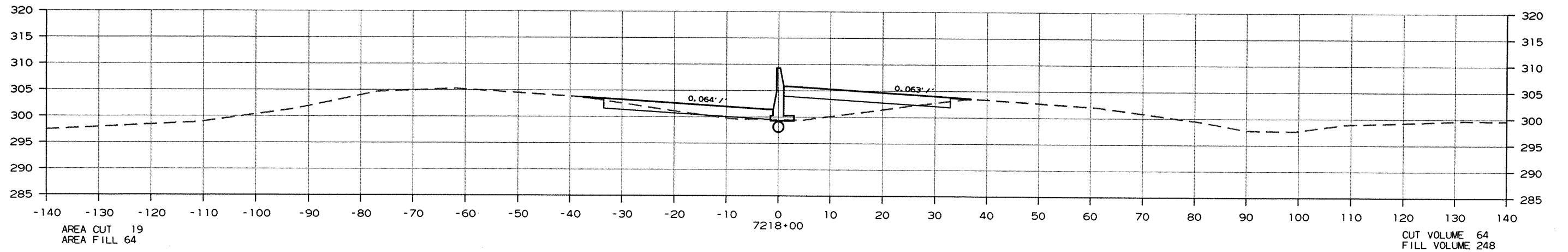
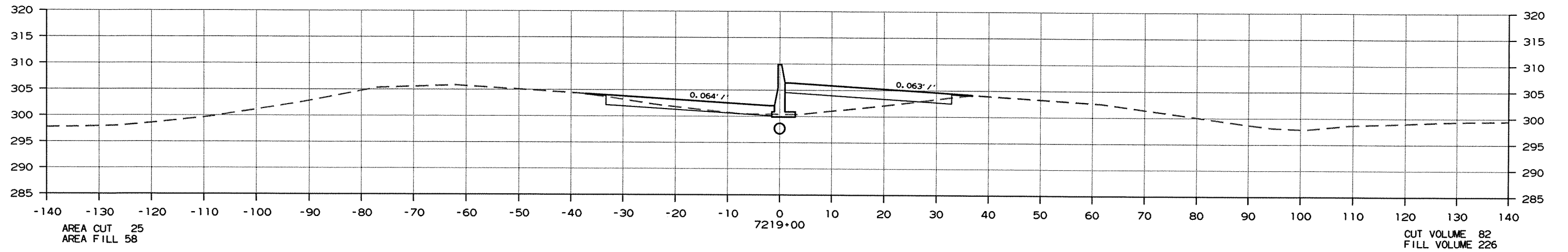
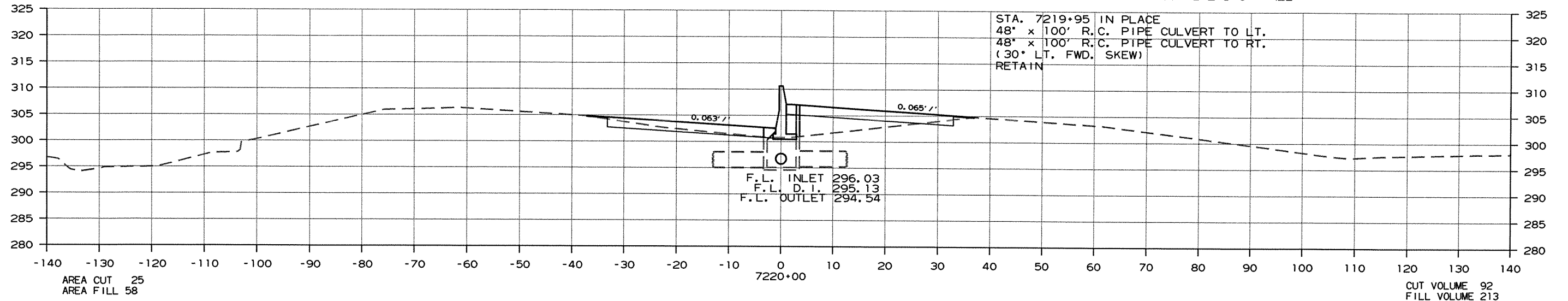
R080388.DGN 10/27/2011

DATE REVISED	DATE FILMED	DATE REVISED	DATE FILMED	FED. RD. DIST. NO.	STATE	FED. AID PROJ. NO.	SHEET NO.	TOTAL SHEETS
				6	ARK.			
						JOB NO. 080388	341	452

2 CROSS SECTIONS

STA. 7219+95 IN PLACE
 TYPE N DROP INLET IN MEDIAN
 RETAIN AND ADJUST TO GRADE
 AND MODIFY TO TYPE SPECIAL 2 DROP INLET

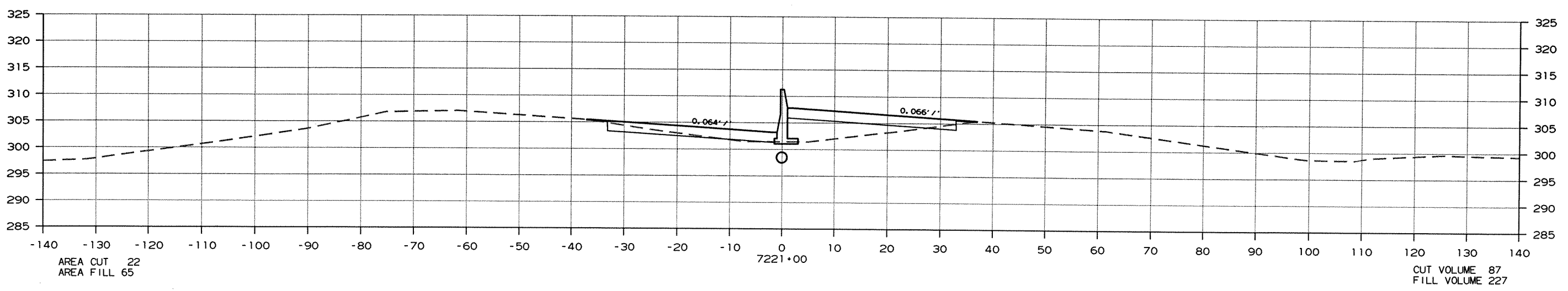
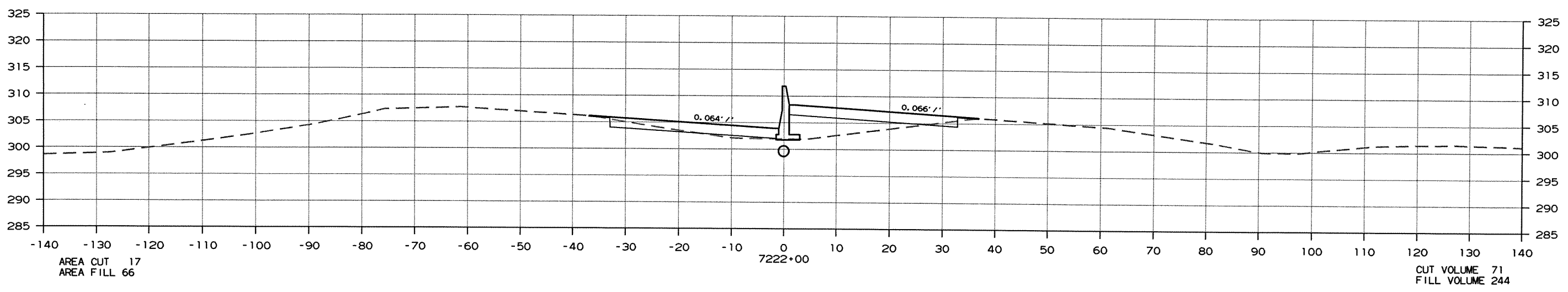
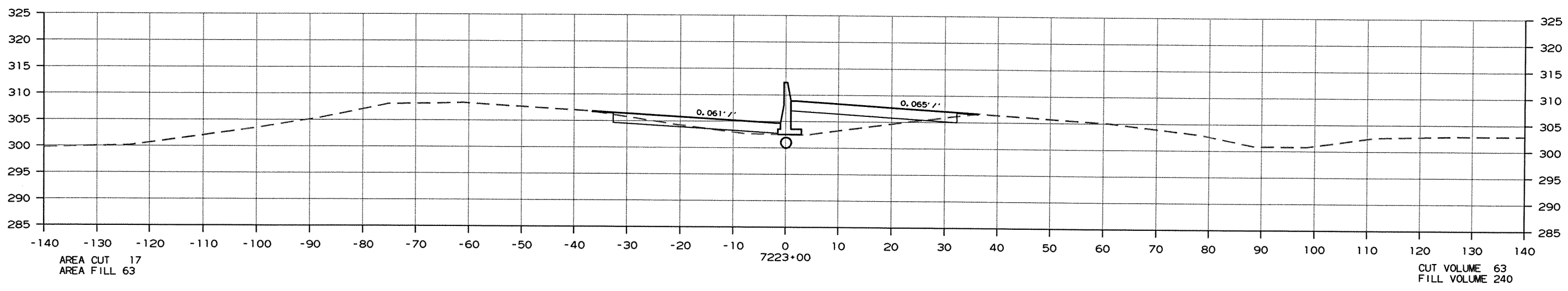
STA. 7219+95 IN PLACE
 48" x 100' R.C. PIPE CULVERT TO LT.
 48" x 100' R.C. PIPE CULVERT TO RT.
 (30° LT. FWD. SKEW)
 RETAIN



CROSS SECTION STA. 7218+00 TO STA. 7220+00

DATE REVISED	DATE FILMED	DATE REVISED	DATE FILMED	FED. RD. DIST. NO.	STATE	FED. AID PROJ. NO.	SHEET NO.	TOTAL SHEETS
				6	ARK.			
JOB NO. 080388							342	452

2 CROSS SECTIONS

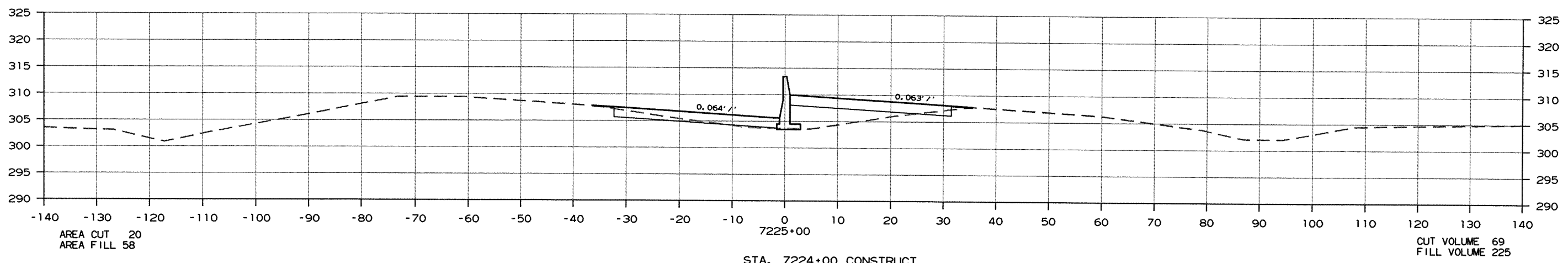
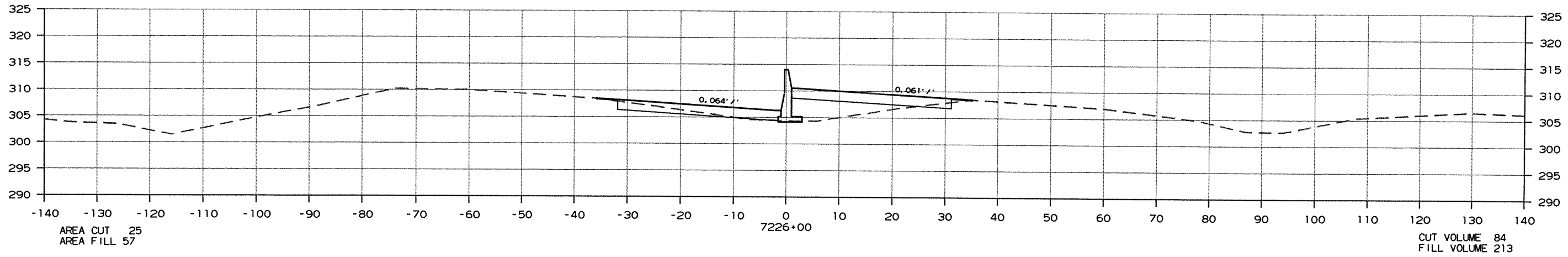


CROSS SECTION STA. 7221+00 TO STA. 7223+00

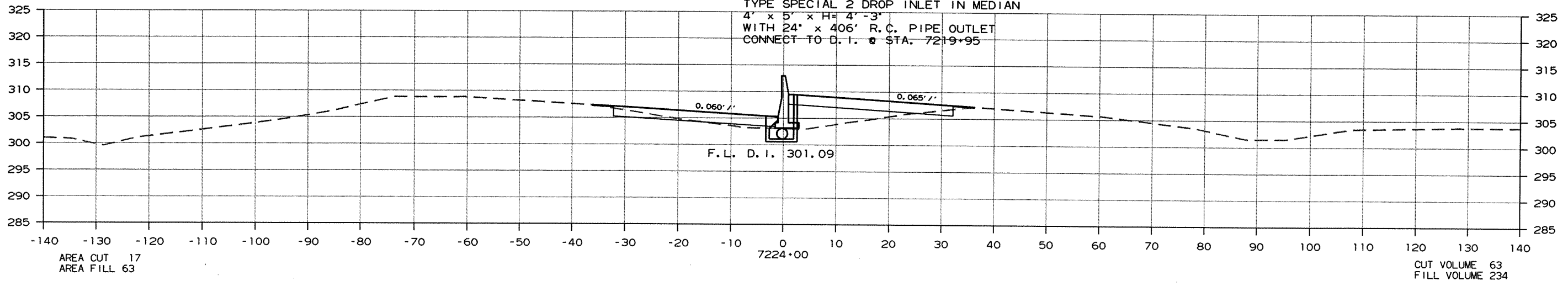
R080388.DGN 10/27/2011

DATE REVISED	DATE FILMED	DATE REVISED	DATE FILMED	FED. RD. DIST. NO.	STATE	FED. AID PROJ. NO.	SHEET NO.	TOTAL SHEETS
				6	ARK.			
						JOB NO. 080388	343	452

2 CROSS SECTIONS



STA. 7224+00 CONSTRUCT
TYPE SPECIAL 2 DROP INLET IN MEDIAN
4' x 5' x H= 4'-3"
WITH 24" x 406' R.C. PIPE OUTLET
CONNECT TO D.I. @ STA. 7219+95

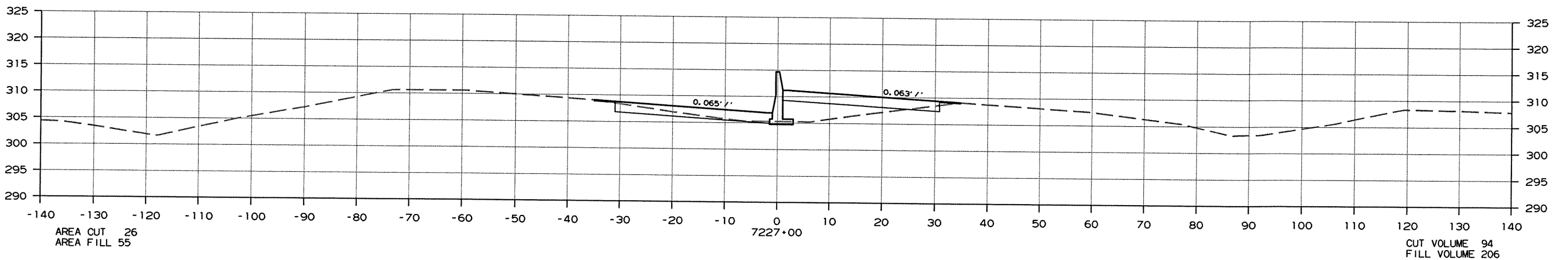
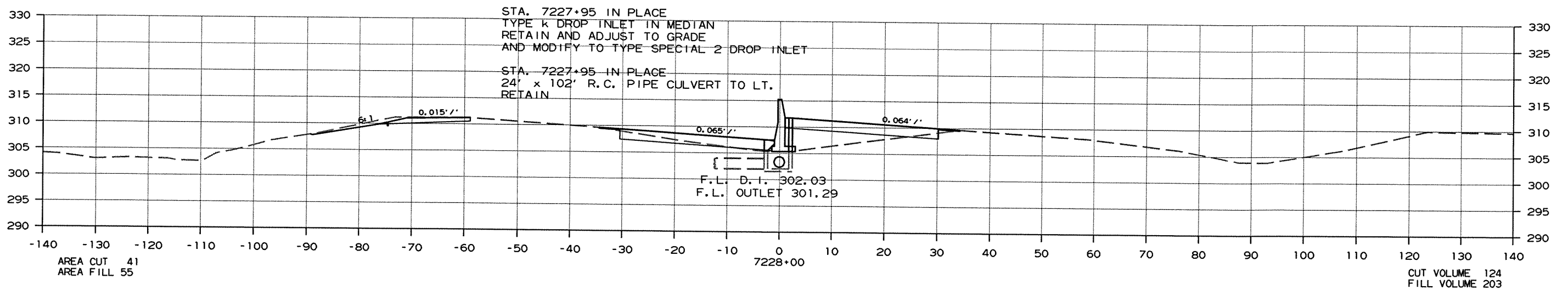
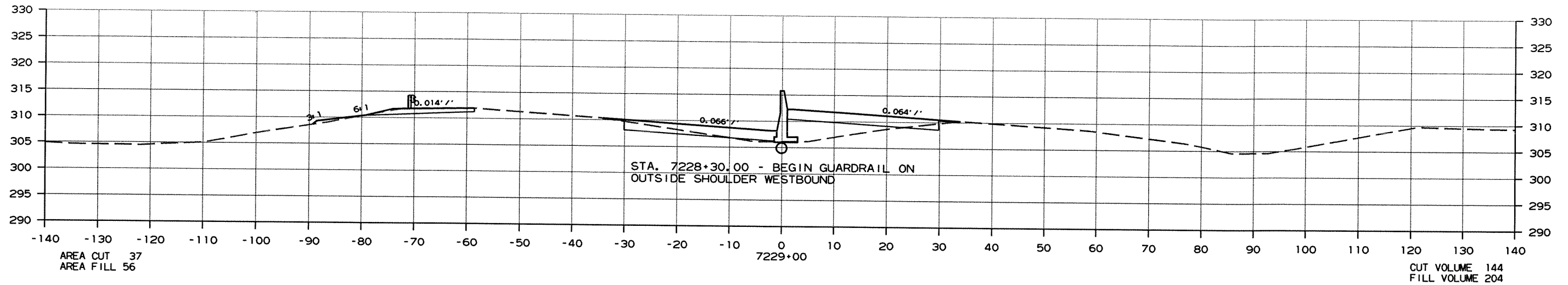


CROSS SECTION STA. 7224+00 TO STA. 7226+00

R080388.DGN 10/27/2011

DATE REVISED	DATE FILMED	DATE REVISED	DATE FILMED	FED. DIST. NO.	STATE	FED. AID PROJ. NO.	SHEET NO.	TOTAL SHEETS
				6	ARK.			
						JOB NO. 080388	344	452

2 CROSS SECTIONS

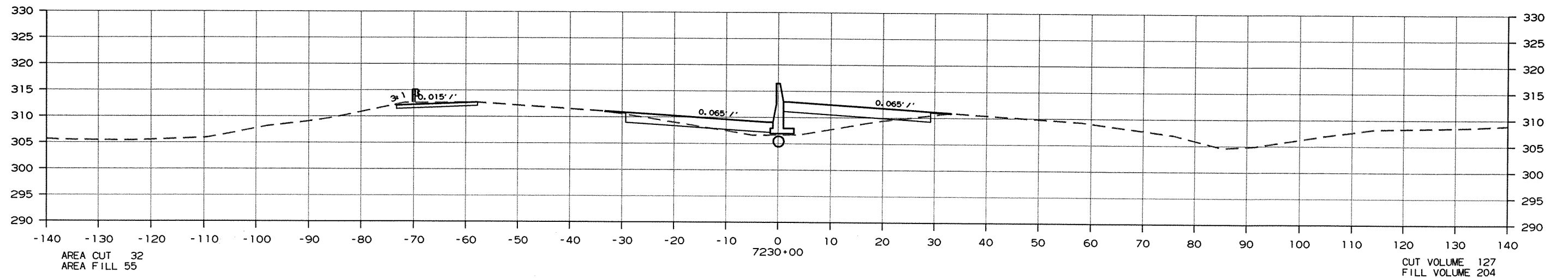
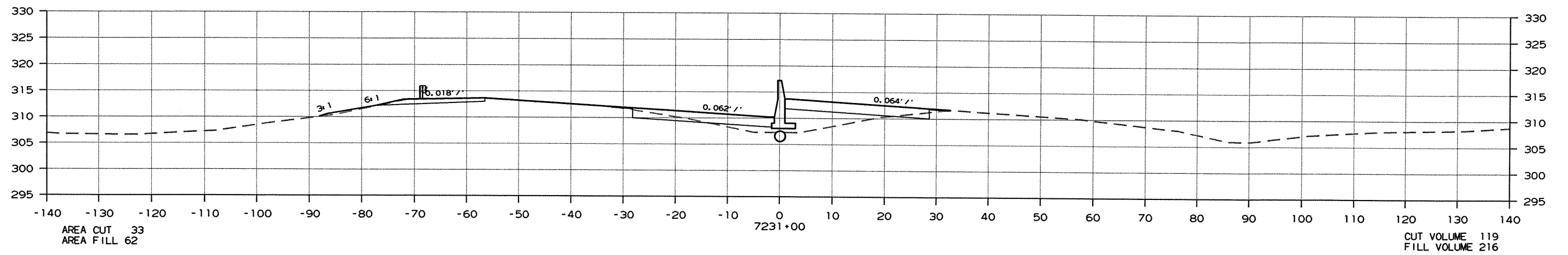
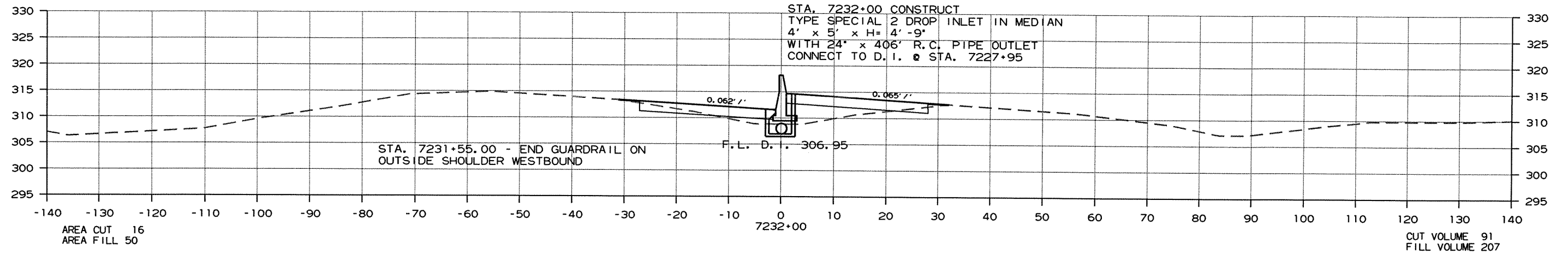


R080388.DGN 10/25/2011

CROSS SECTION STA. 7227+00 TO STA. 7229+00

DATE REVISED	DATE FILMED	DATE REVISED	DATE FILMED	FED. RD. DIST. NO.	STATE	FED. AID PROJ. NO.	SHEET NO.	TOTAL SHEETS
				6	ARK.			
JOB NO. 080388							345	452

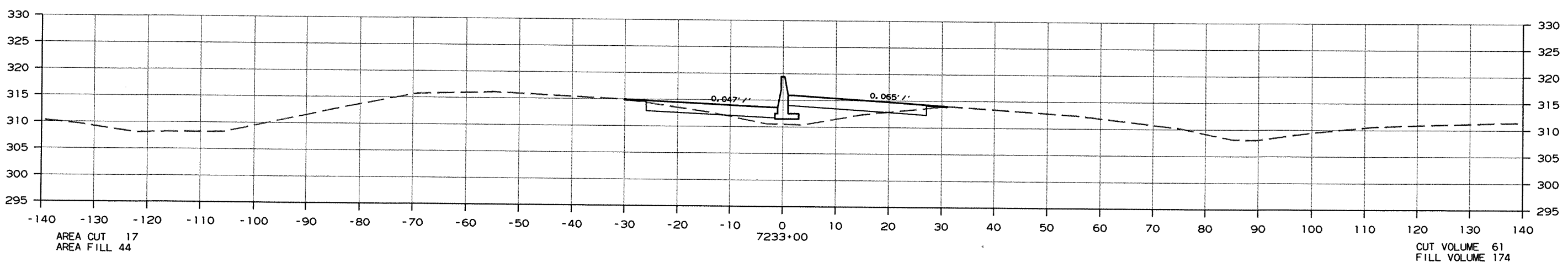
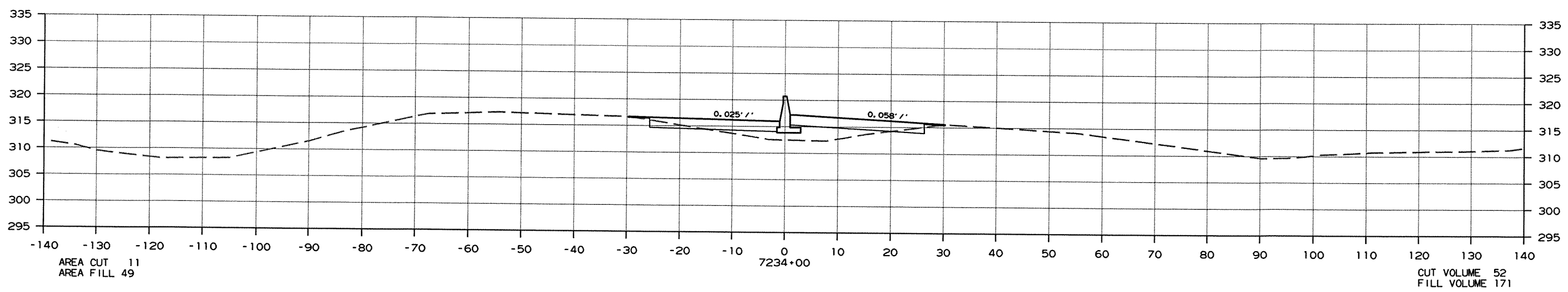
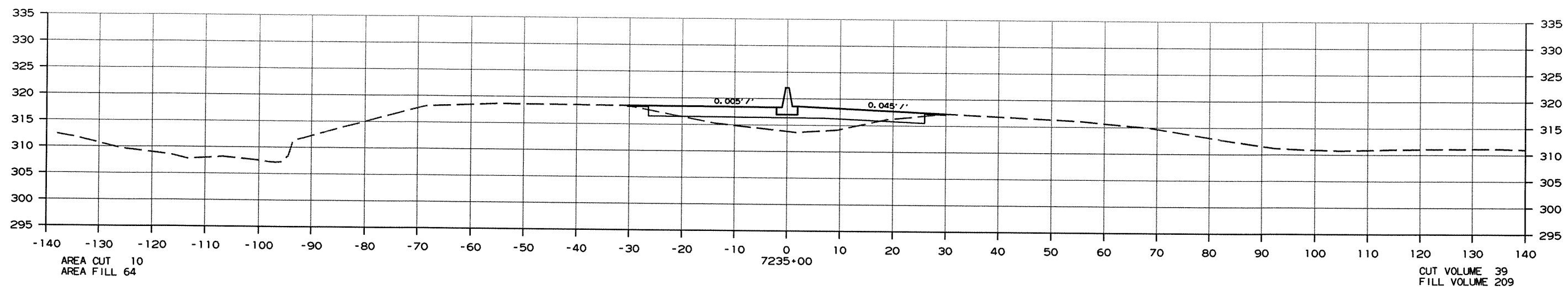
② CROSS SECTIONS



CROSS SECTION STA. 7230+00 TO STA. 7232+00

DATE REVISED	DATE FILMED	DATE REVISED	DATE FILMED	FED. RD. DIST. NO.	STATE	FED. AID PROJ. NO.	SHEET NO.	TOTAL SHEETS
				6	ARK.			
JOB NO.						080388	346	452

② CROSS SECTIONS

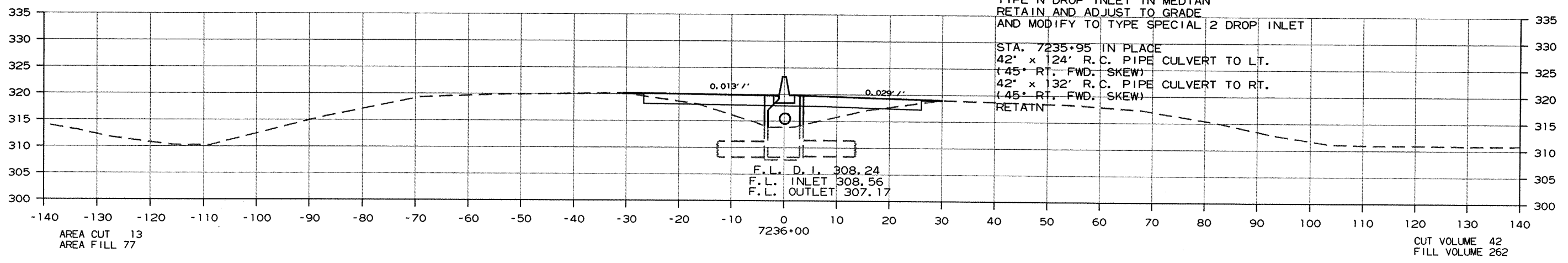
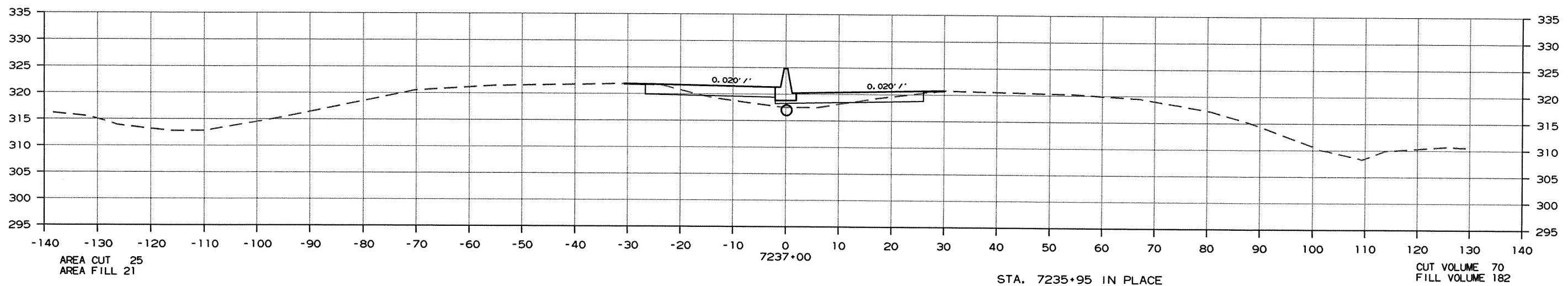
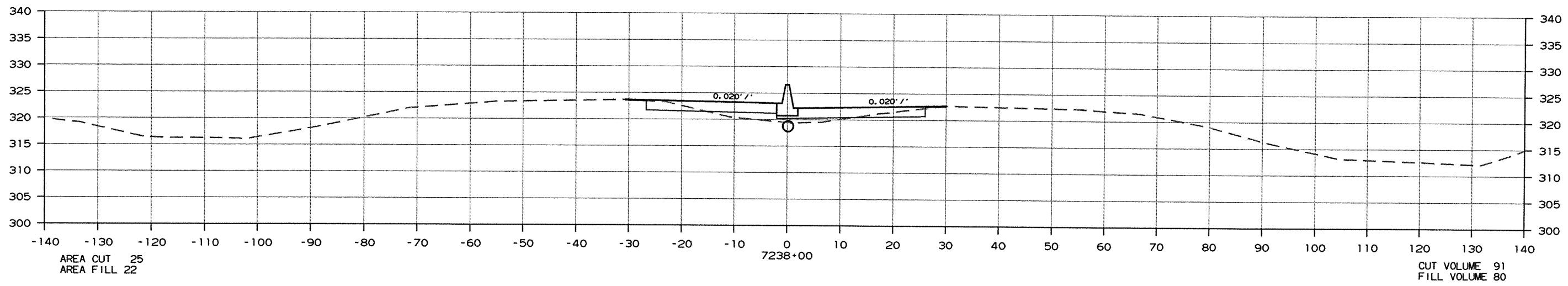


CROSS SECTION STA. 7233+00 TO STA. 7235+00

R080388.DGN 10/25/2011

DATE REVISED	DATE FILMED	DATE REVISED	DATE FILMED	FED. RD. DIST. NO.	STATE	FED. AID PROJ. NO.	SHEET NO.	TOTAL SHEETS
				6	ARK.			
						JOB NO. 080388	347	452

2 CROSS SECTIONS

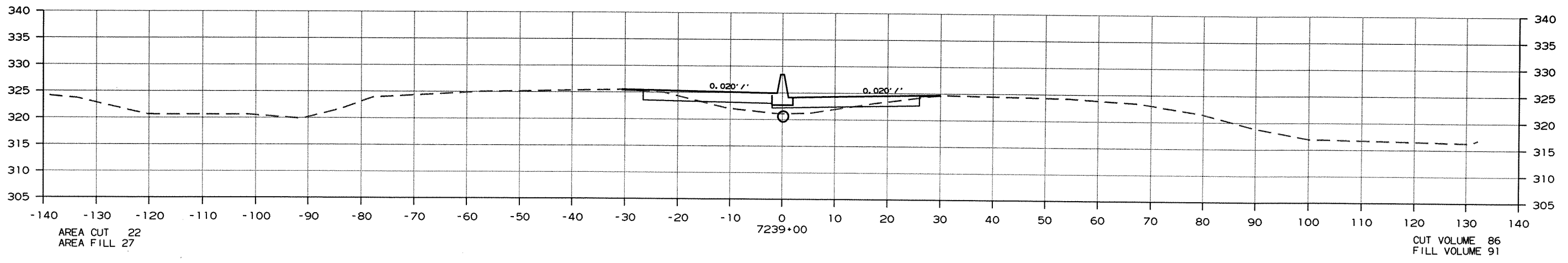
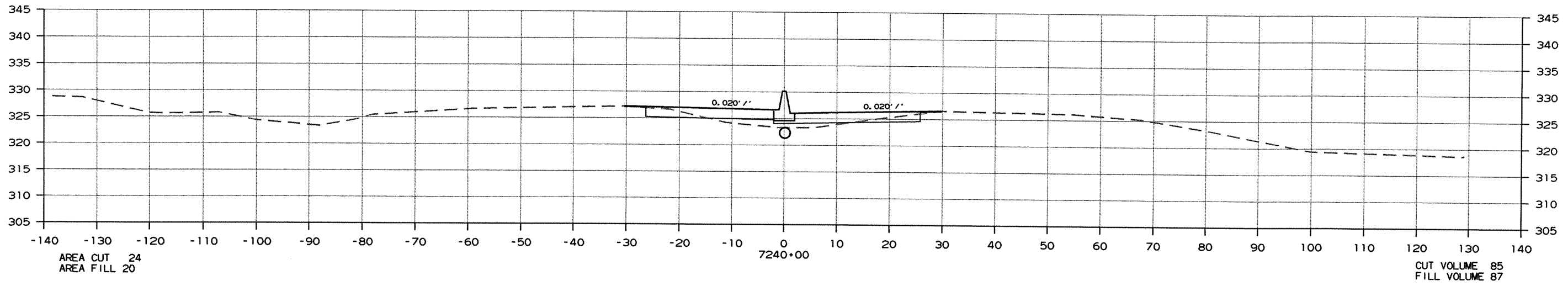
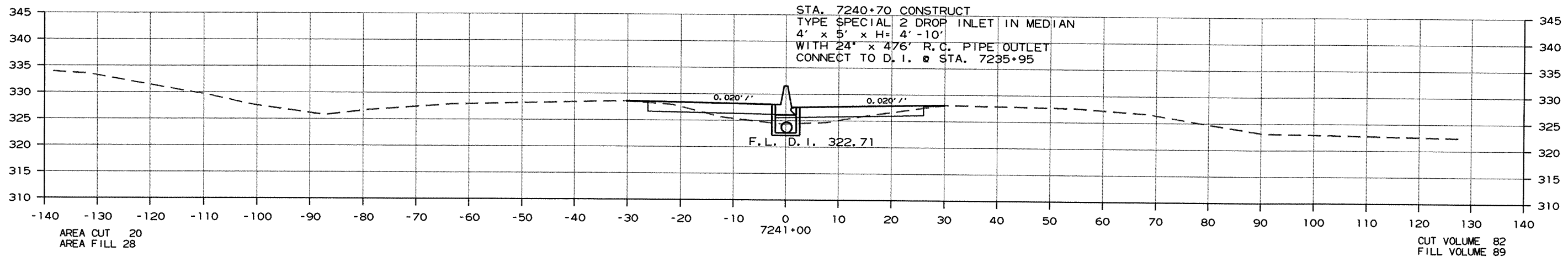


CROSS SECTION STA. 7236+00 TO STA. 7238+00

R080388.DGN 10/27/2011

DATE REVISED	DATE FILMED	DATE REVISED	DATE FILMED	FED. RD. DIST. NO.	STATE	FED. AID PROJ. NO.	SHEET NO.	TOTAL SHEETS
				6	ARK.			
						JOB NO. 080388	348	452

② CROSS SECTIONS

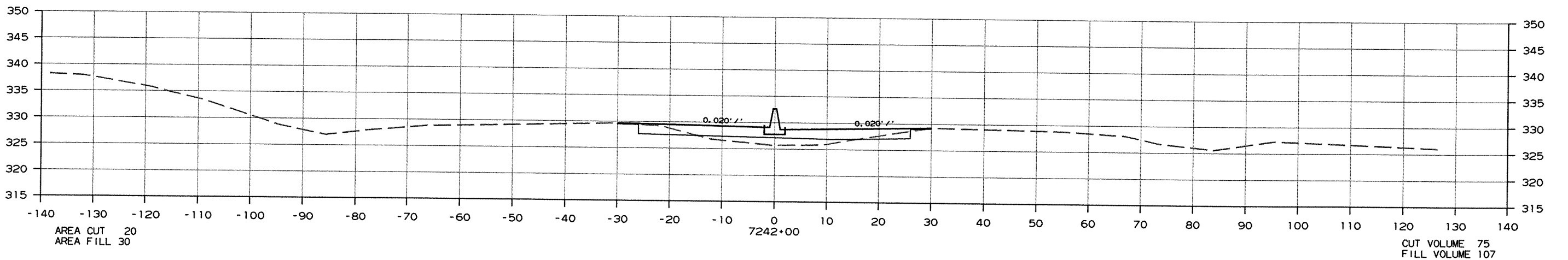
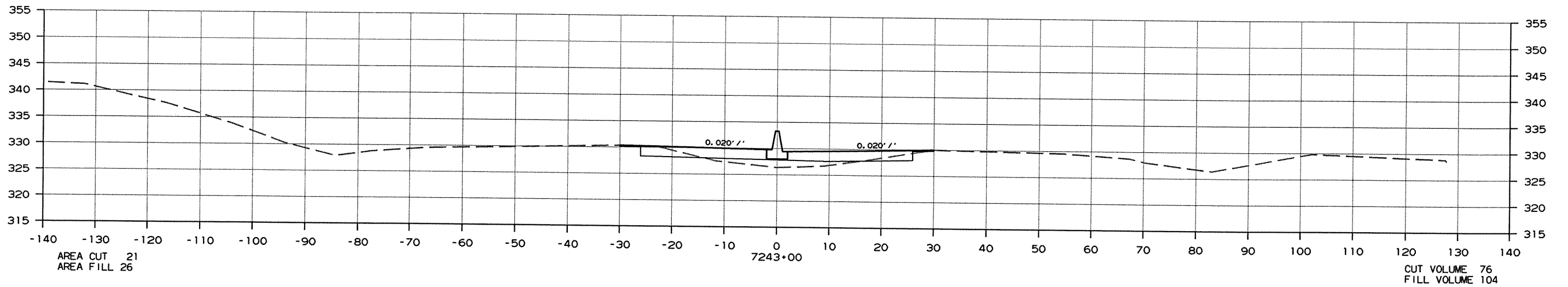
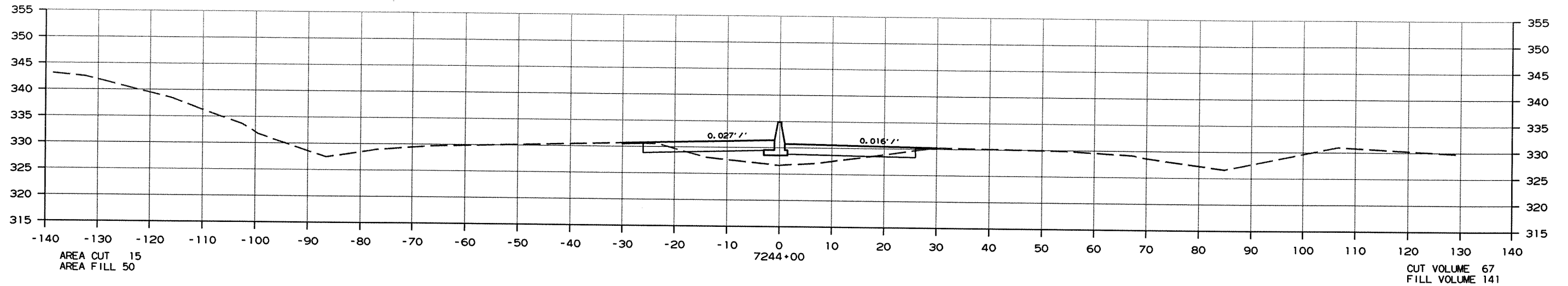


CROSS SECTION STA. 7239+00 TO STA. 7241+00

RO80388.DGN 10/27/2011

DATE REVISED	DATE FILMED	DATE REVISED	DATE FILMED	FED. RD. DIST. NO.	STATE	FED. AID PROJ. NO.	SHEET NO.	TOTAL SHEETS
				6	ARK.			
JOB NO.						080388	349	452

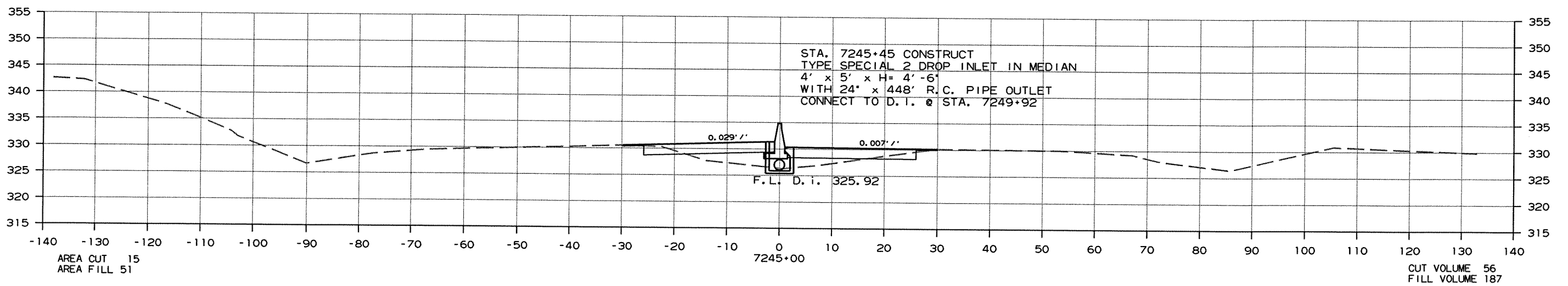
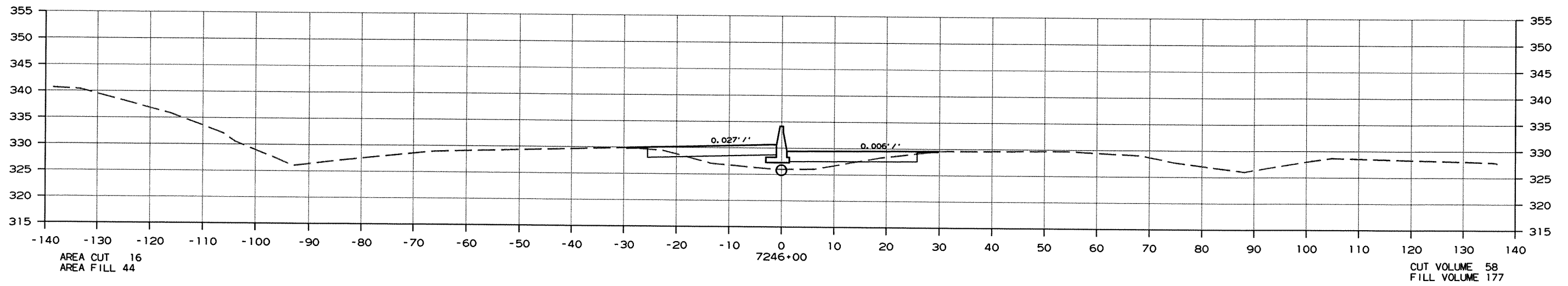
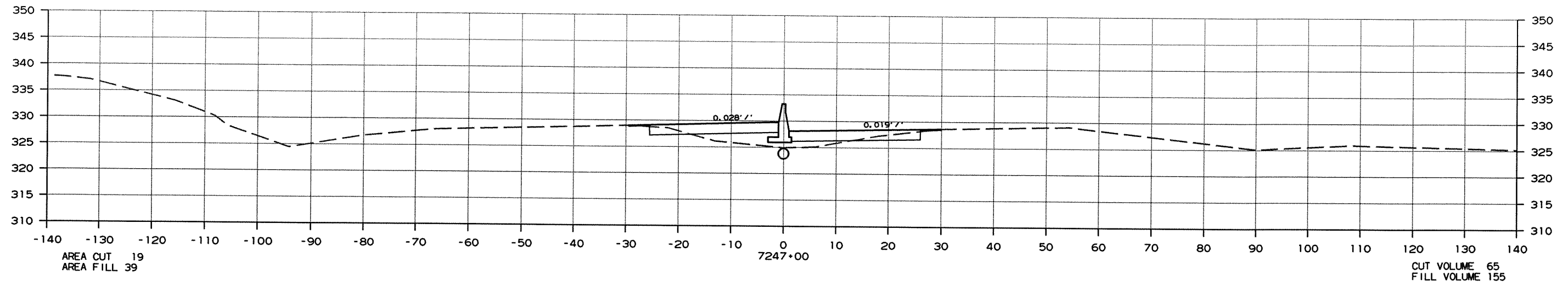
2 CROSS SECTIONS



CROSS SECTION STA. 7242+00 TO STA. 7244+00

DATE REVISED	DATE FILED	DATE REVISED	DATE FILED	FED. RD. DIST. NO.	STATE	FED. AID PROJ. NO.	SHEET NO.	TOTAL SHEETS
				6	ARK.			
						JOB NO. 080388	350	452

② CROSS SECTIONS

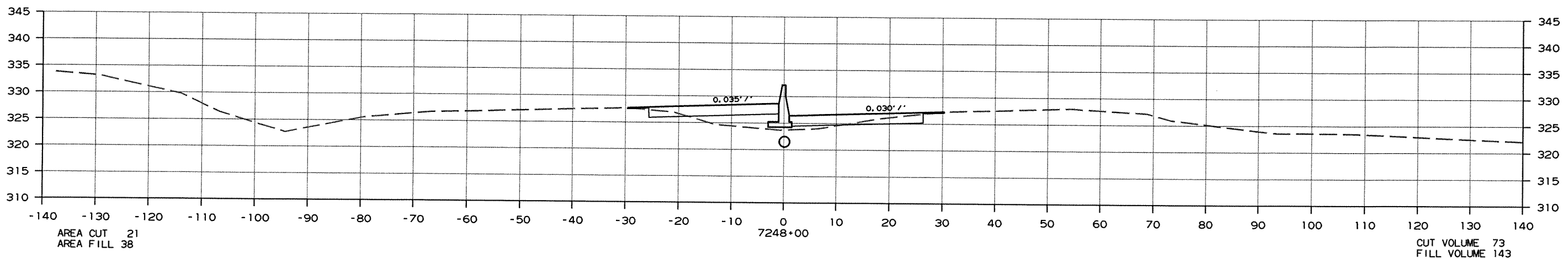
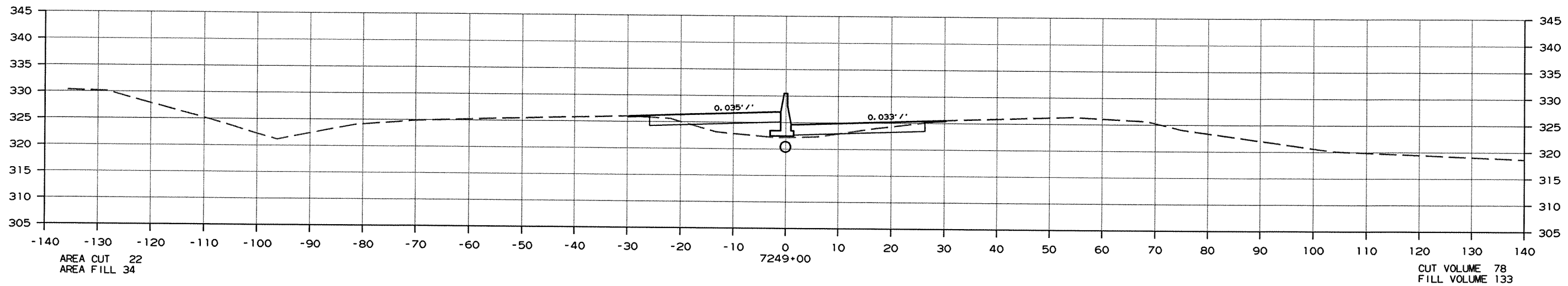
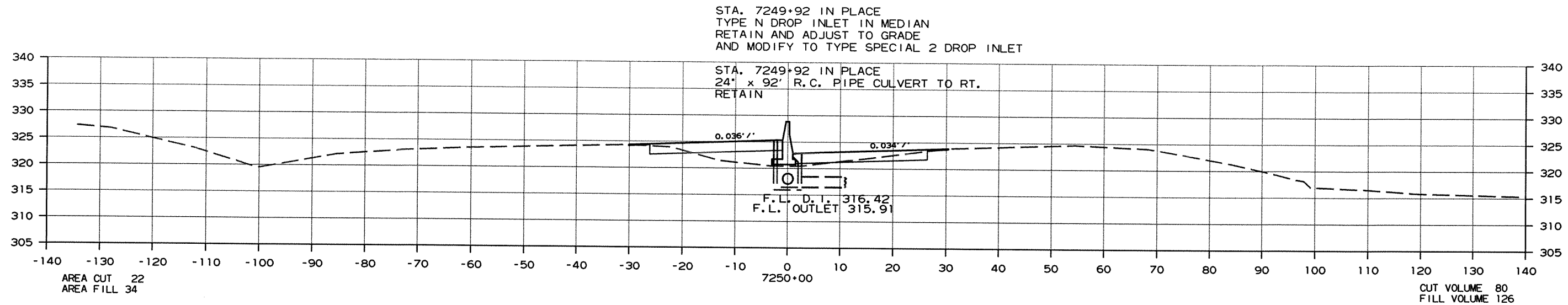


CROSS SECTION STA. 7245+00 TO STA. 7247+00

R080388.DGN 10/25/2011

DATE REVISED	DATE FILMED	DATE REVISED	DATE FILMED	FED. RD. DIST. NO.	STATE	FED. AID PROJ. NO.	SHEET NO.	TOTAL SHEETS
				6	ARK.			
						JOB NO. 080388	351	452

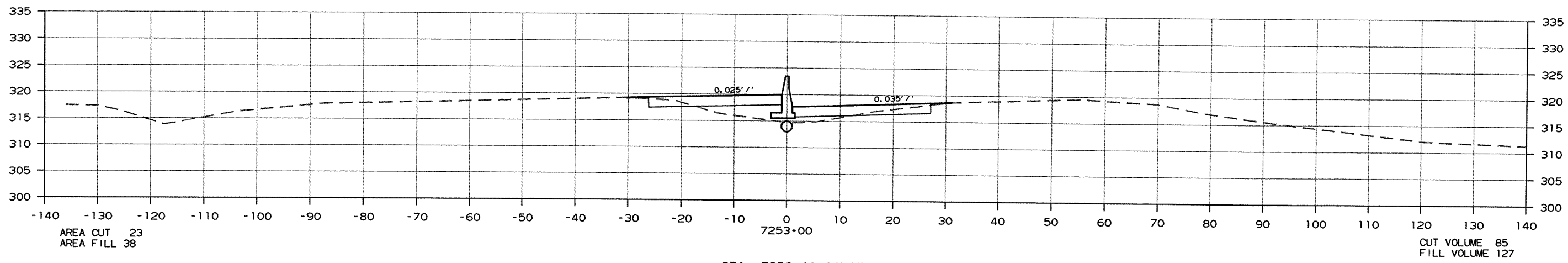
2 CROSS SECTIONS



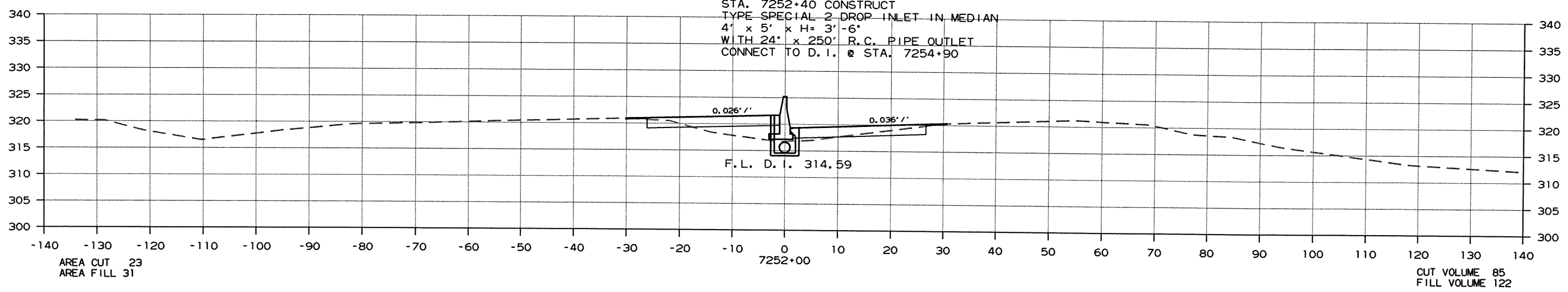
CROSS SECTION STA. 7248+00 TO STA. 7250+00

DATE REVISED	DATE FILMED	DATE REVISED	DATE FILMED	FED. RD. DIST. NO.	STATE	FED. AID PROJ. NO.	SHEET NO.	TOTAL SHEETS
				6	ARK.			
JOB NO. 080388							352	452

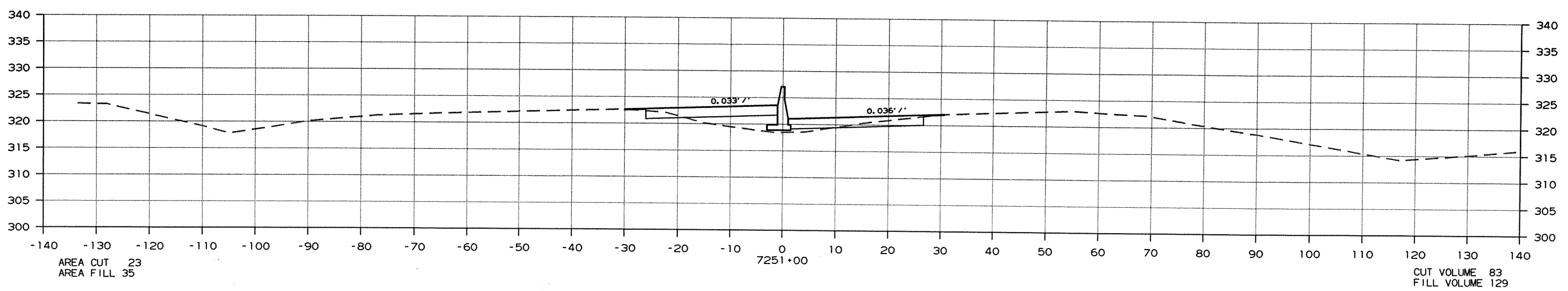
② CROSS SECTIONS



STA. 7252+40 CONSTRUCT
 TYPE SPECIAL 2 DROP INLET IN MEDIAN
 4' x 5' x H= 3'-6"
 WITH 24" x 250' R.C. PIPE OUTLET
 CONNECT TO D. I. @ STA. 7254+90



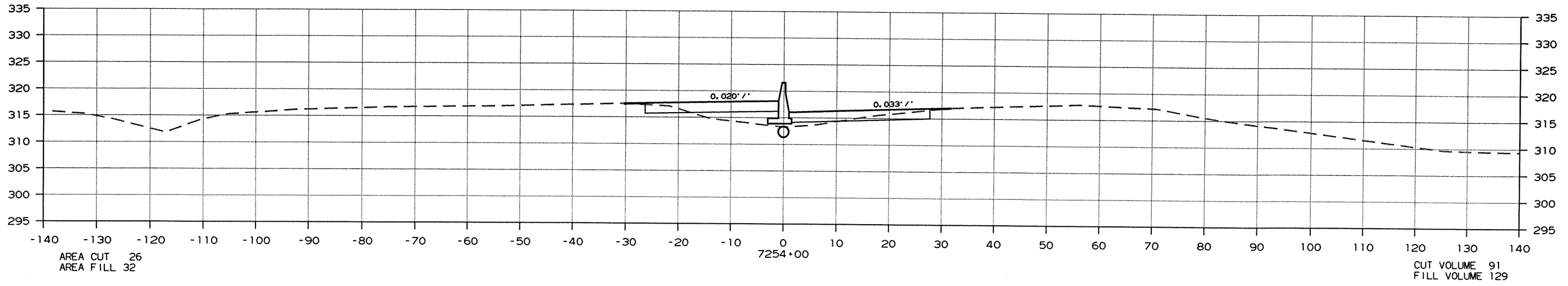
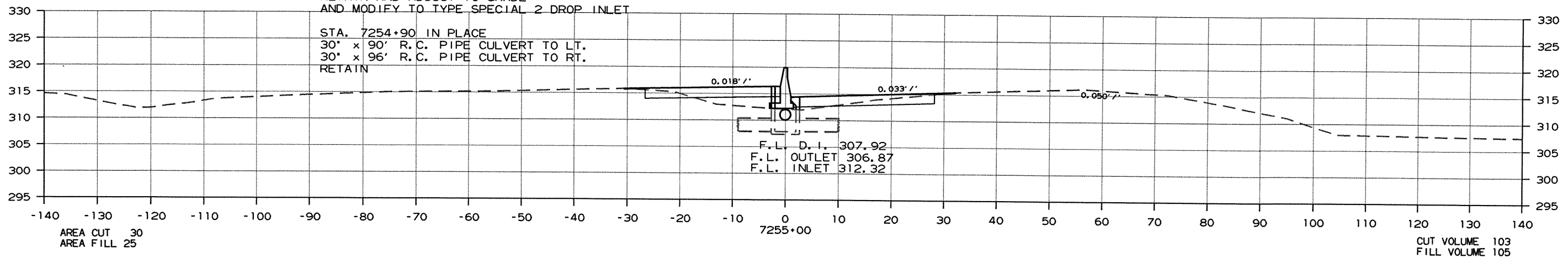
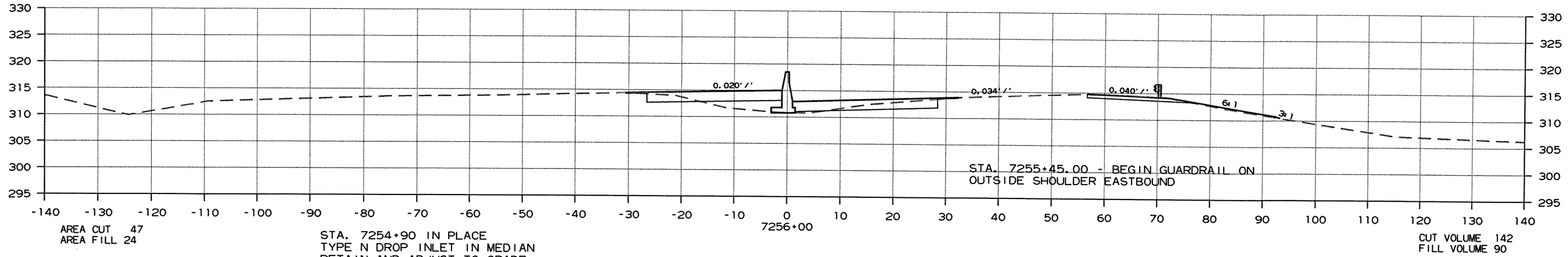
F.L. D. I. 314.59



CROSS SECTION STA. 7251+00 TO STA. 7253+00

DATE REVISED	DATE FILMED	DATE REVISED	DATE FILMED	FED. DIST. NO.	STATE	FED. AID PROJ. NO.	SHEET NO.	TOTAL SHEETS
				6	ARK.			
JOB NO. 080388							353	452

2 CROSS SECTIONS

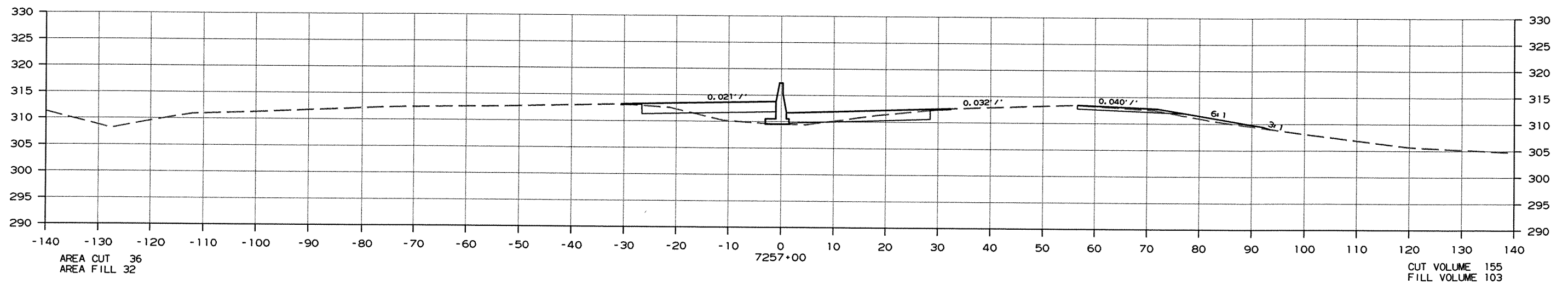
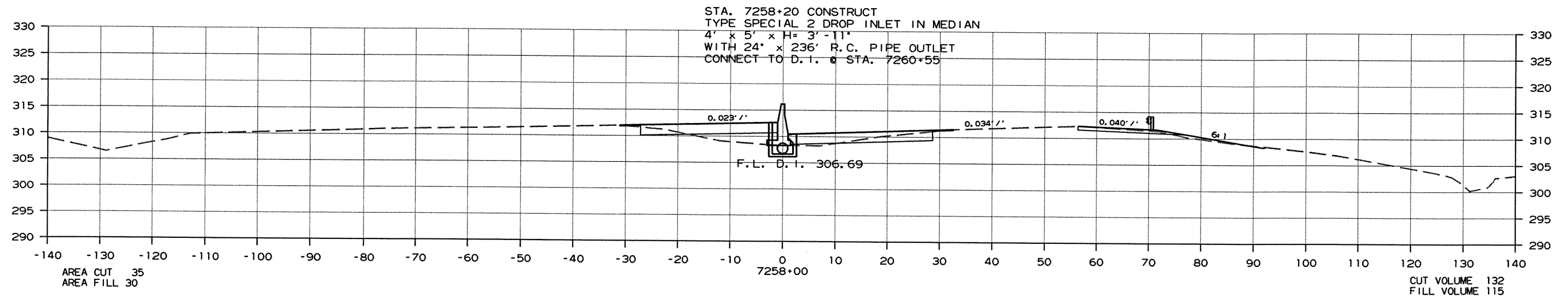


CROSS SECTION STA. 7254+00 TO STA. 7256+00

R080388.DGN 10/27/2011

DATE REVISED	DATE FILMED	DATE REVISED	DATE FILMED	FED. RD. DIST. NO.	STATE	FED. AID PROJ. NO.	SHEET NO.	TOTAL SHEETS
				6	ARK.			
JOB NO. 080388							354	452

2 CROSS SECTIONS

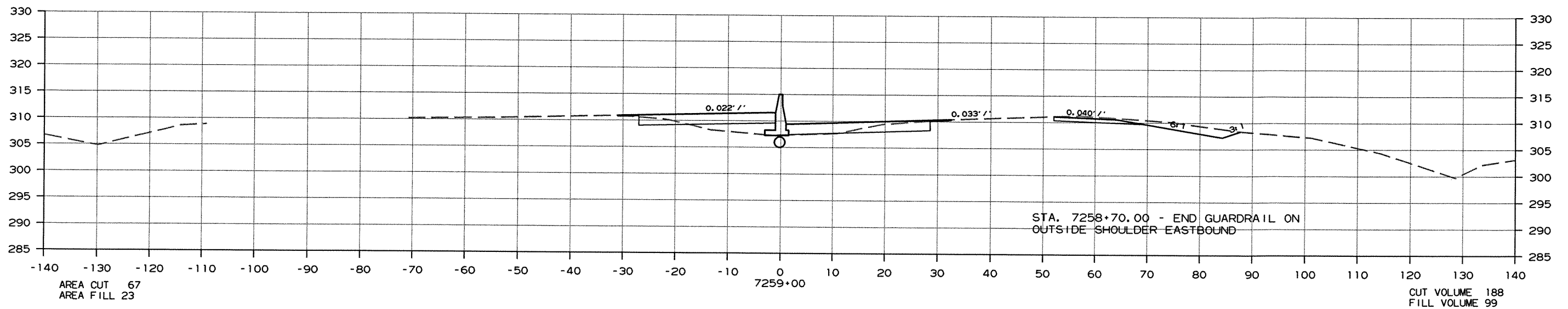
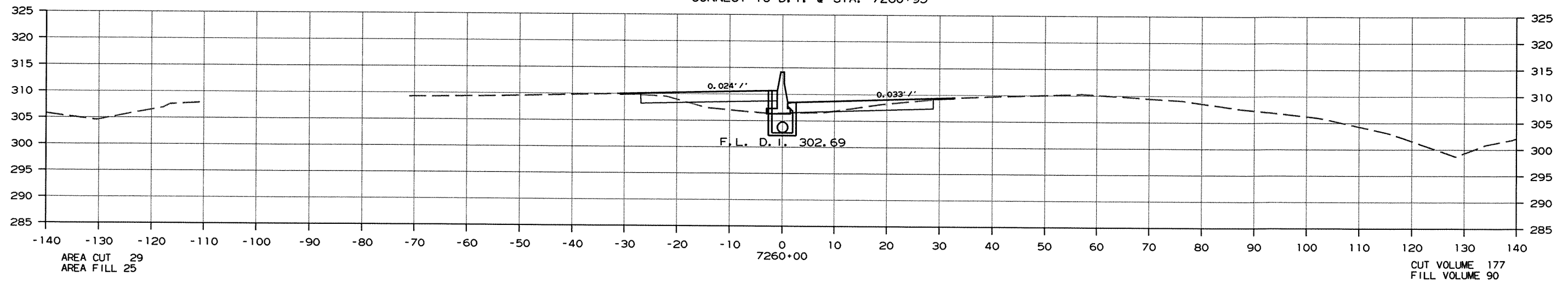


CROSS SECTION STA. 7257+00 TO STA. 7258+00

DATE REVISED	DATE FILMED	DATE REVISED	DATE FILMED	FED. RD. DIST. NO.	STATE	FED. AID PROJ. NO.	SHEET NO.	TOTAL SHEETS
				6	ARK.			
						JOB NO. 080388	355	452

② CROSS SECTIONS

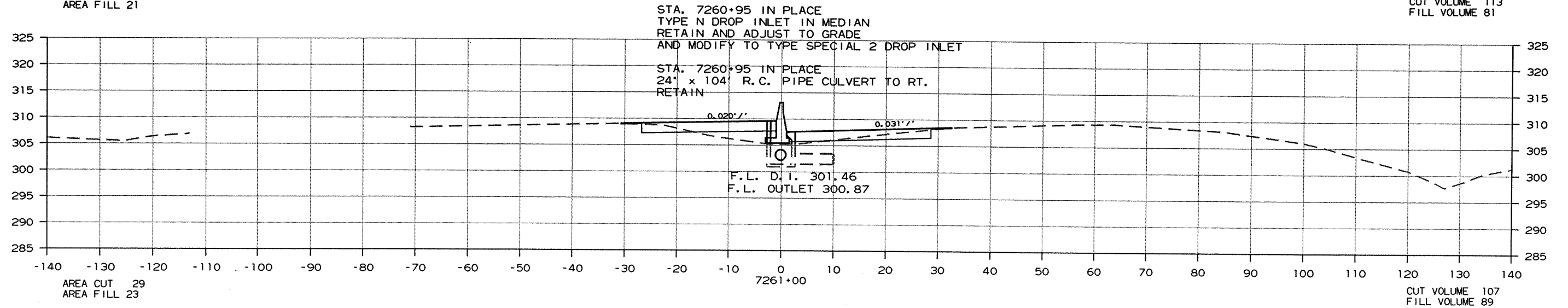
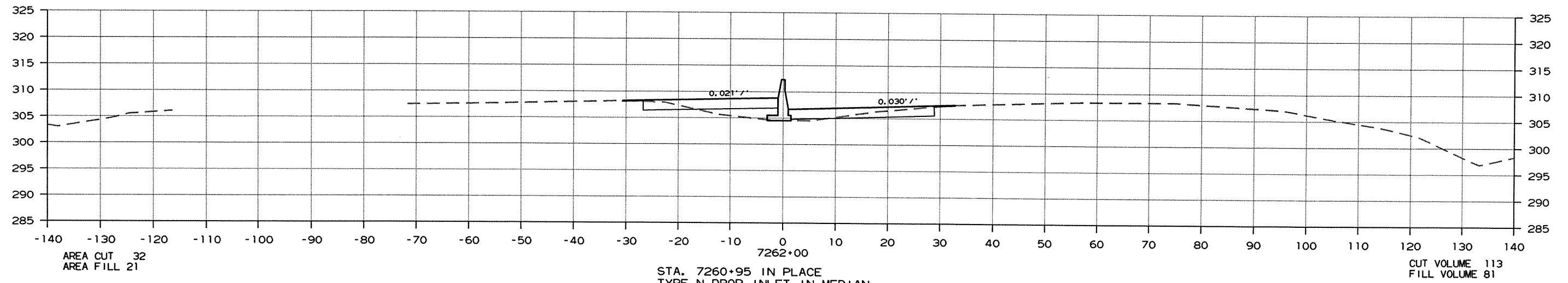
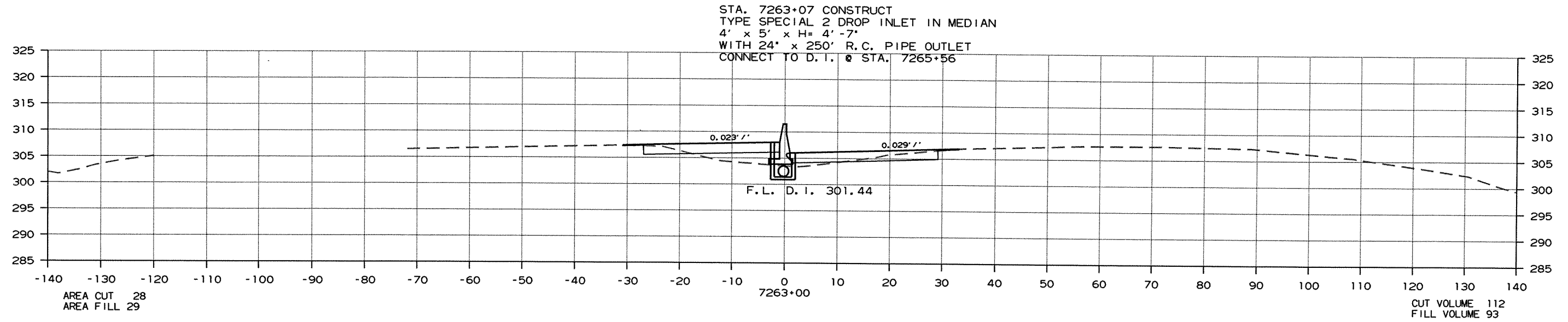
STA. 7260+55 CONSTRUCT
 TYPE SPECIAL 2 DROP INLET IN MEDIAN
 4' x 5' x H= 5'-9"
 WITH 24" x 40' R.C. PIPE OUTLET
 CONNECT TO D. I. @ STA. 7260+95



CROSS SECTION STA. 7259+00 TO STA. 7260+00

DATE REVISED	DATE FILMED	DATE REVISED	DATE FILMED	FED. RD. DIST. NO.	STATE	FED. AID PROJ. NO.	SHEET NO.	TOTAL SHEETS
				6	ARK.			
JOB NO. 080388							356	452

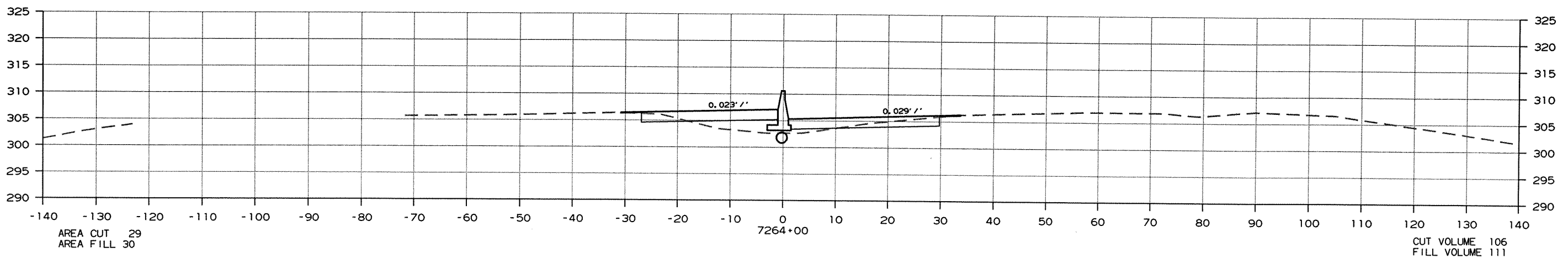
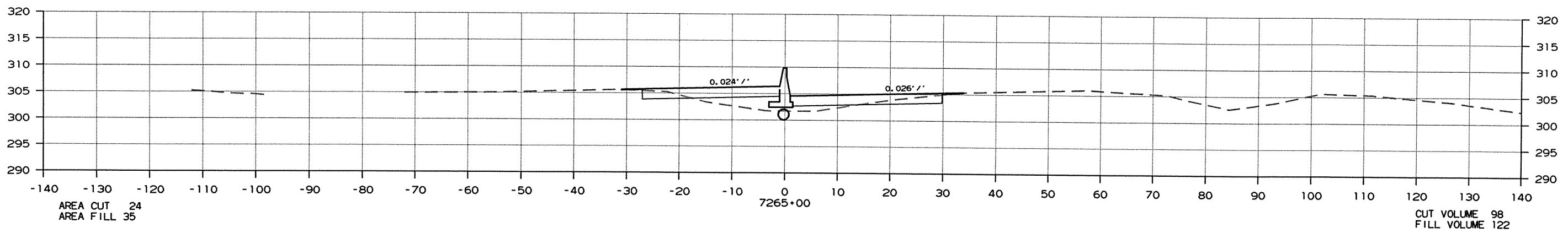
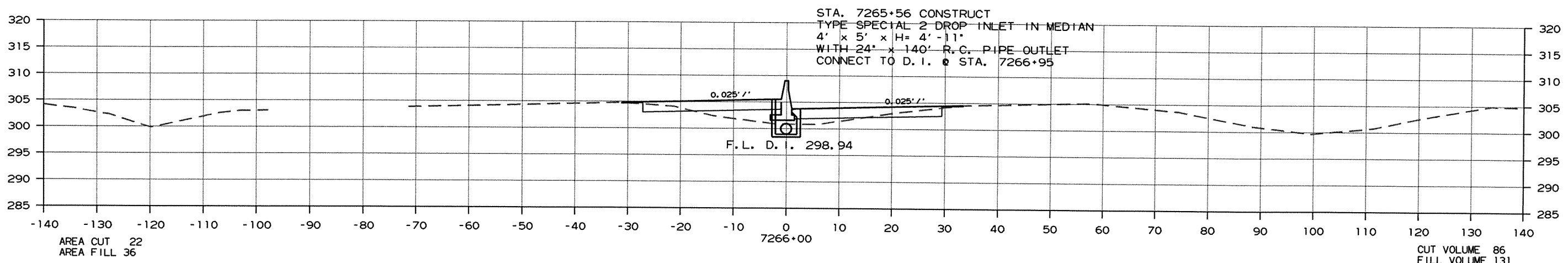
② CROSS SECTIONS



CROSS SECTION STA. 7261+00 TO STA. 7263+00

DATE REVISED	DATE FILMED	DATE REVISED	DATE FILMED	FED. RD. DIST. NO.	STATE	FED. AID PROJ. NO.	SHEET NO.	TOTAL SHEETS
				6	ARK.			
						JOB NO. 080388	357	452

2 CROSS SECTIONS

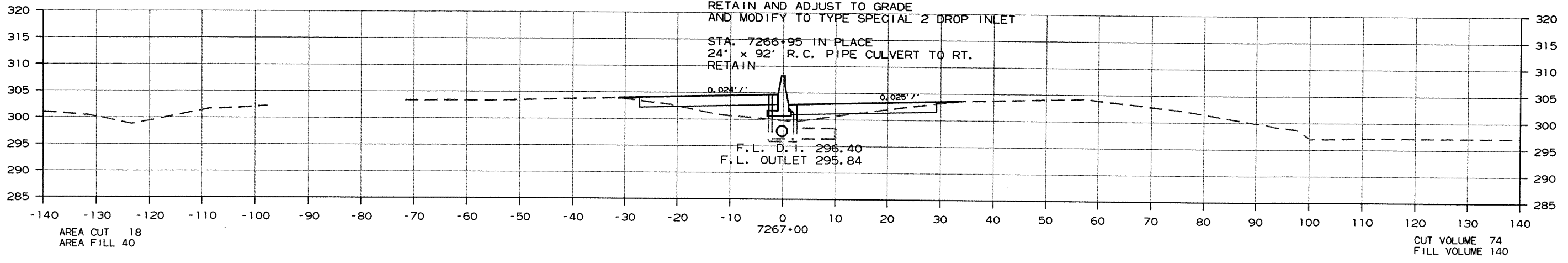
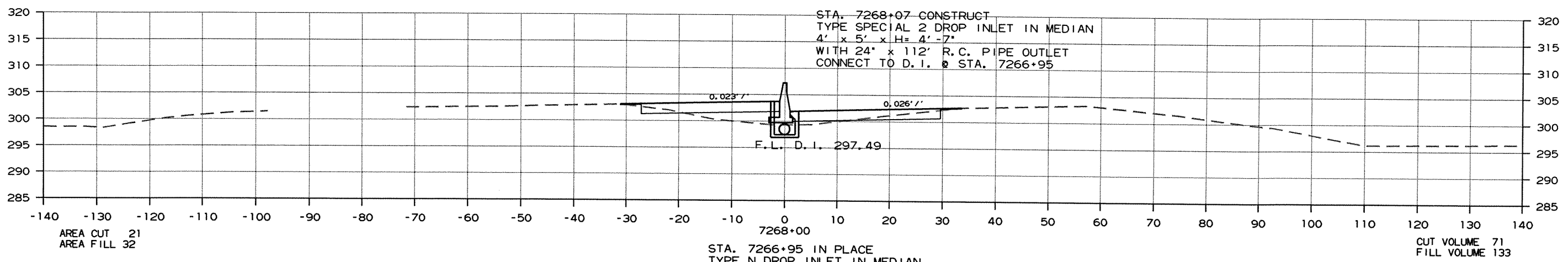
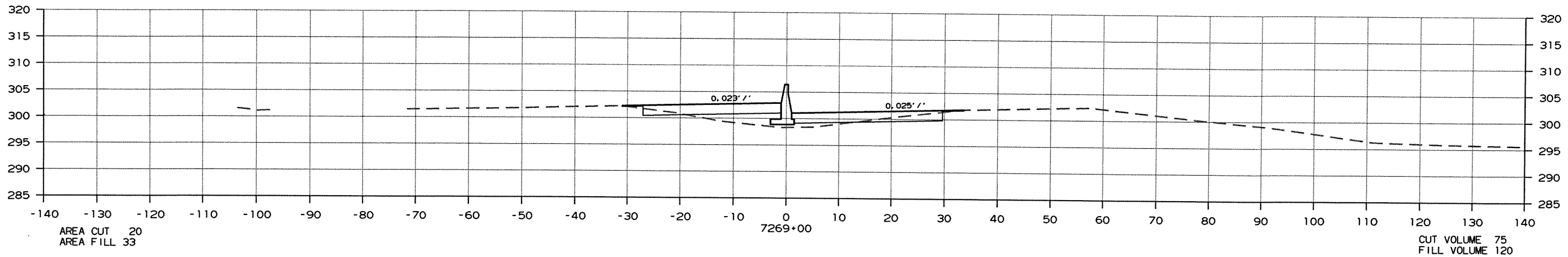


CROSS SECTION STA. 7264+00 TO STA. 7266+00

R080388.DGN 10/27/2011

DATE REVISED	DATE FILMED	DATE REVISED	DATE FILMED	FED. DIST. NO.	STATE	FED. AID PROJ. NO.	SHEET NO.	TOTAL SHEETS
				6	ARK.			
						JOB NO. 080388	358	452

② CROSS SECTIONS

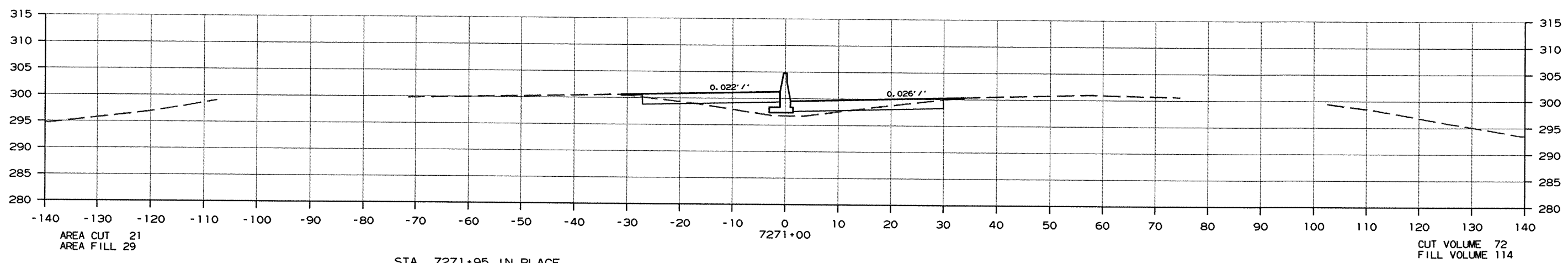
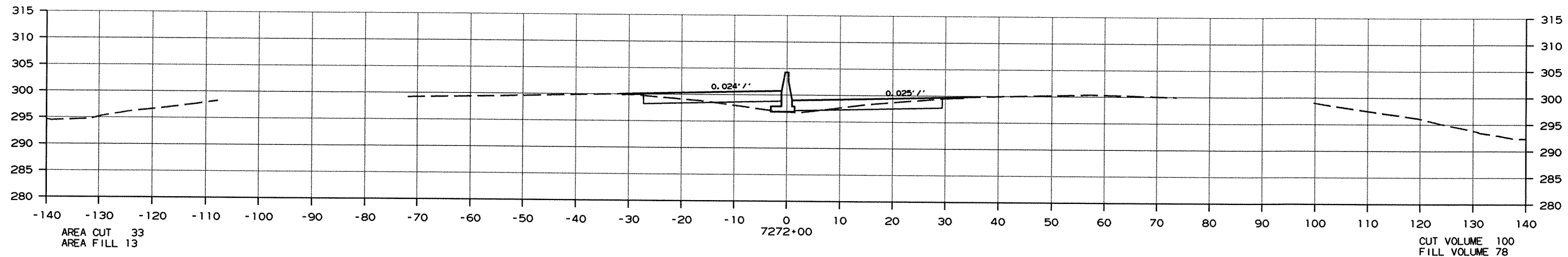


CROSS SECTION STA. 7267+00 TO STA. 7269+00

R080388.DGN 10/27/2011

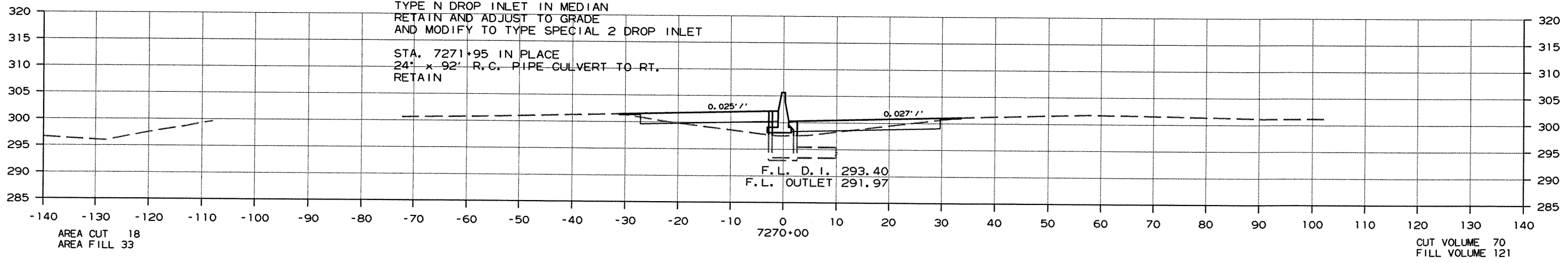
DATE REVISED	DATE FILMED	DATE REVISED	DATE FILMED	FED. RD. DIST. NO.	STATE	FED. AID PROJ. NO.	SHEET NO.	TOTAL SHEETS
				6	ARK.			
						JOB NO. 080388	359	452

② CROSS SECTIONS



STA. 7271+95 IN PLACE
TYPE N DROP INLET IN MEDIAN
RETAIN AND ADJUST TO GRADE
AND MODIFY TO TYPE SPECIAL 2 DROP INLET

STA. 7271+95 IN PLACE
24" x 92" R.C. PIPE CULVERT TO RT.
RETAIN

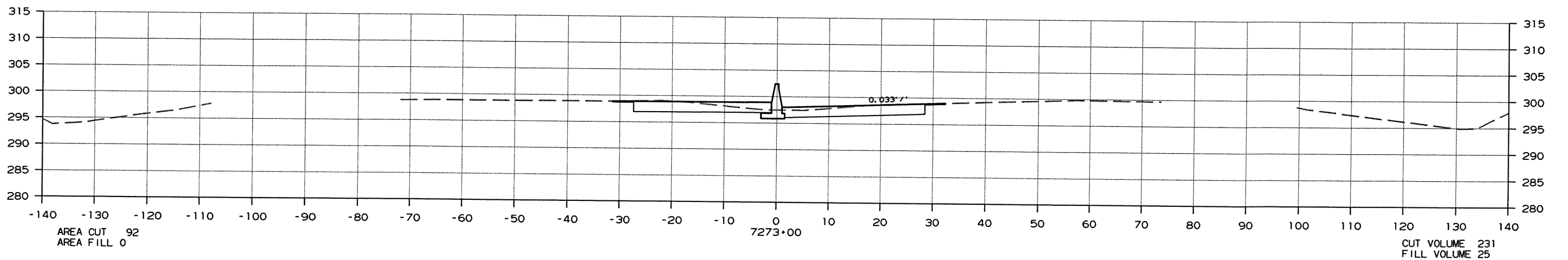
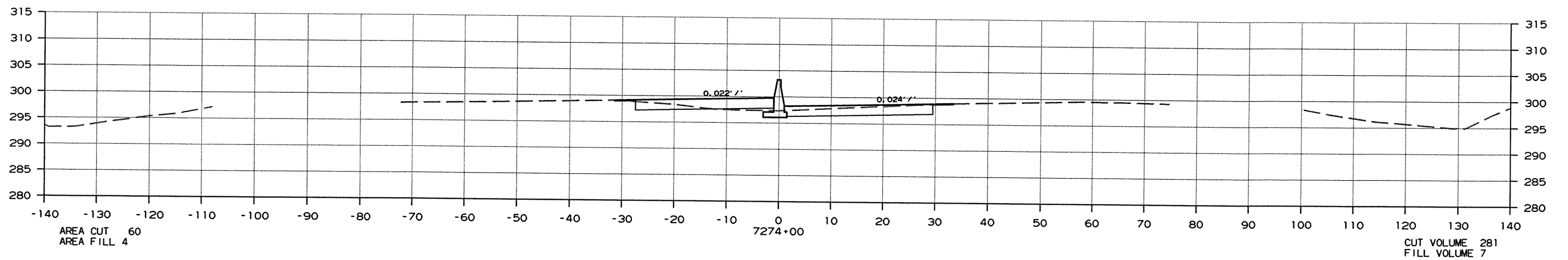
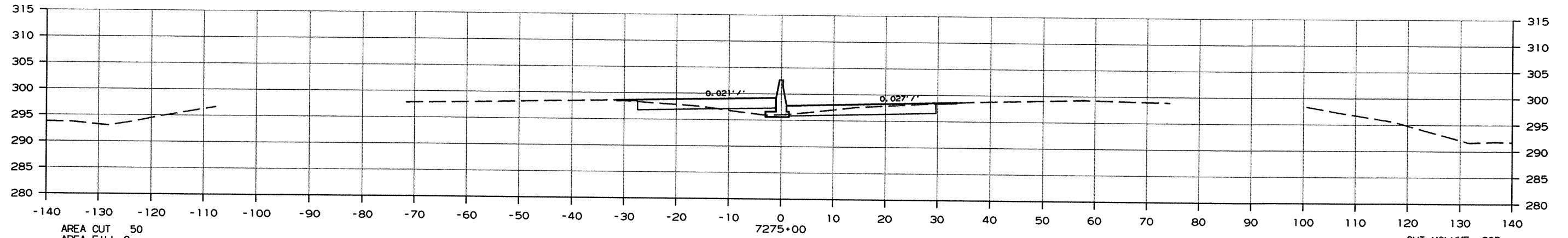


CROSS SECTION STA. 7270+00 TO STA. 7272+00

R080388.DGN 10/25/2011

DATE REVISED	DATE FILMED	DATE REVISED	DATE FILMED	FED. RD. DIST. NO.	STATE	FED. AID PROJ. NO.	SHEET NO.	TOTAL SHEETS
				6	ARK.			
						JOB NO. 080388	360	452

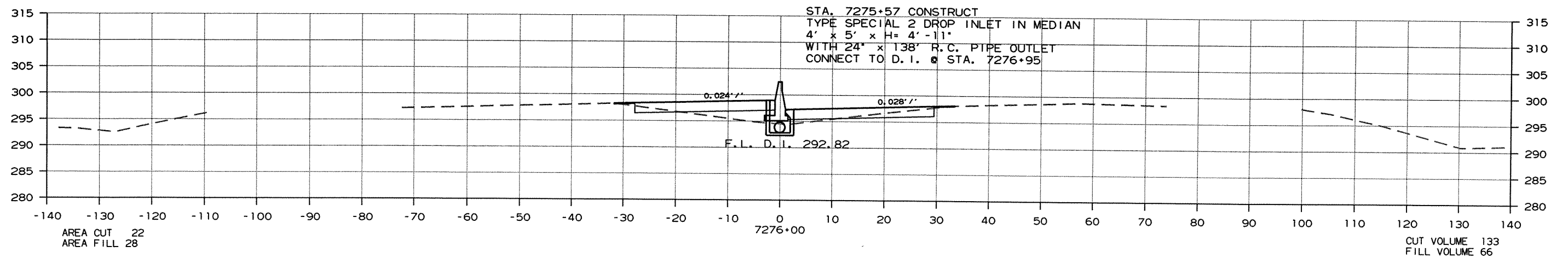
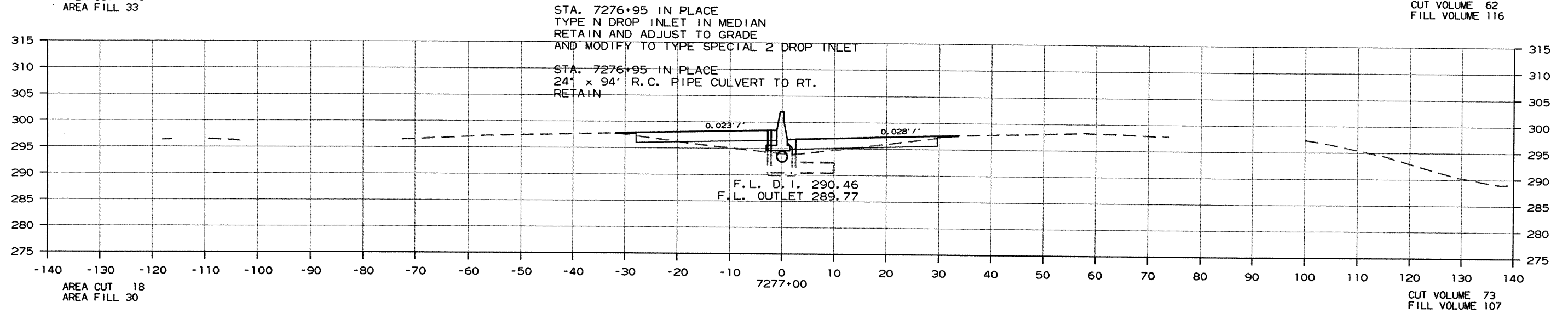
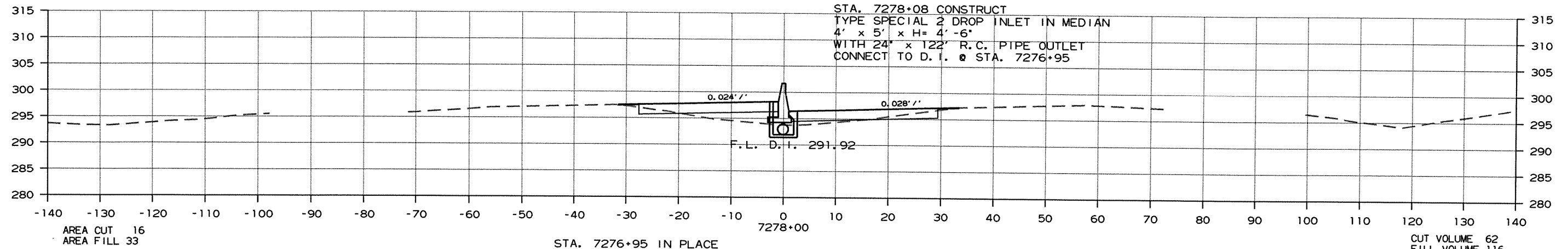
② CROSS SECTIONS



CROSS SECTION STA. 7273+00 TO STA. 7275+00

DATE REVISED	DATE FILMED	DATE REVISED	DATE FILMED	FED. RD. DIST. NO.	STATE	FED. AID PROJ. NO.	SHEET NO.	TOTAL SHEETS
				6	ARK.			
						JOB NO. 080388	361	452

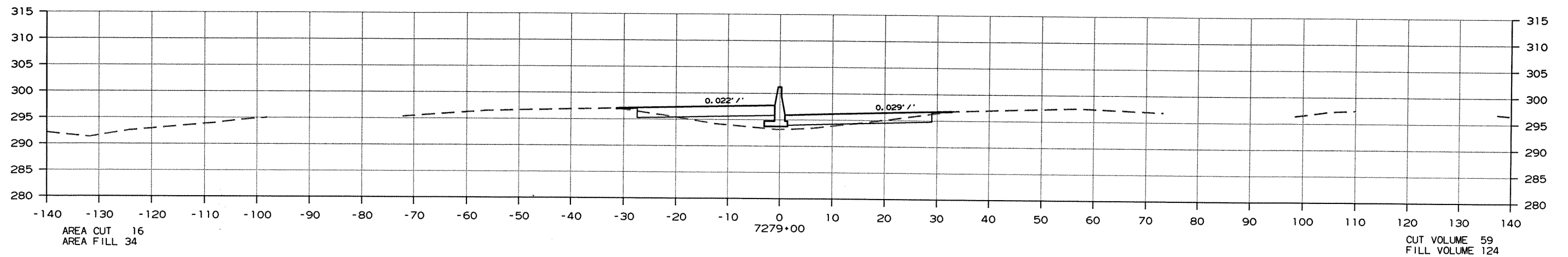
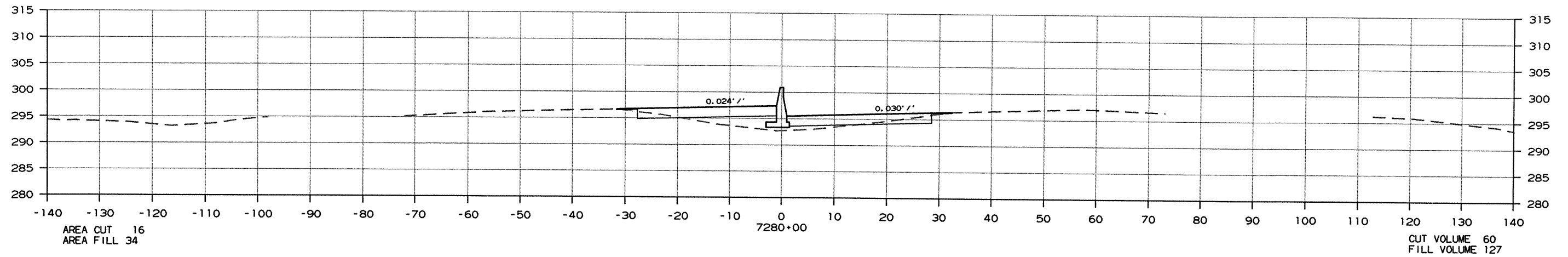
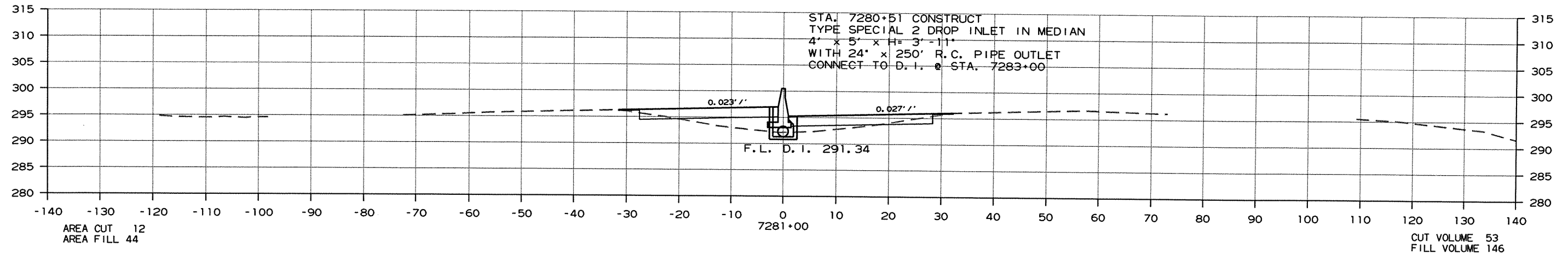
② CROSS SECTIONS



CROSS SECTION STA. 7276+00 TO STA. 7278+00

DATE REVISED	DATE FILMED	DATE REVISED	DATE FILMED	FED. RD. DIST. NO.	STATE	FED. AID PROJ. NO.	SHEET NO.	TOTAL SHEETS
				6	ARK.			
						JOB NO. 080388	362	452

② CROSS SECTIONS

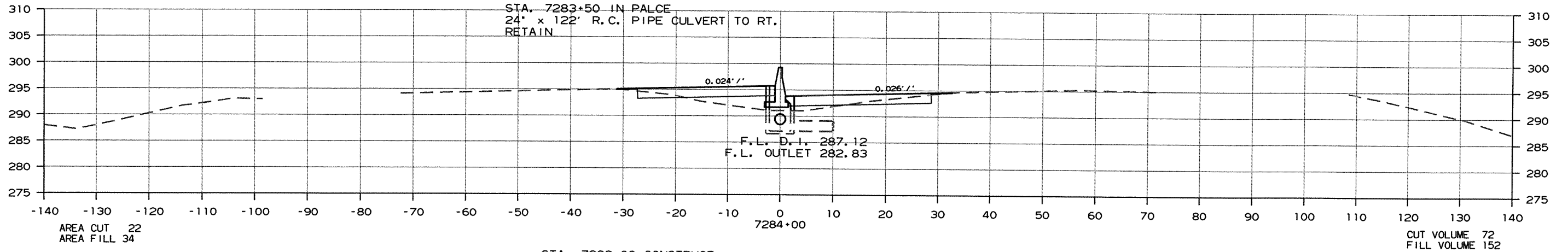


CROSS SECTION STA. 7279+00 TO STA. 7281+00

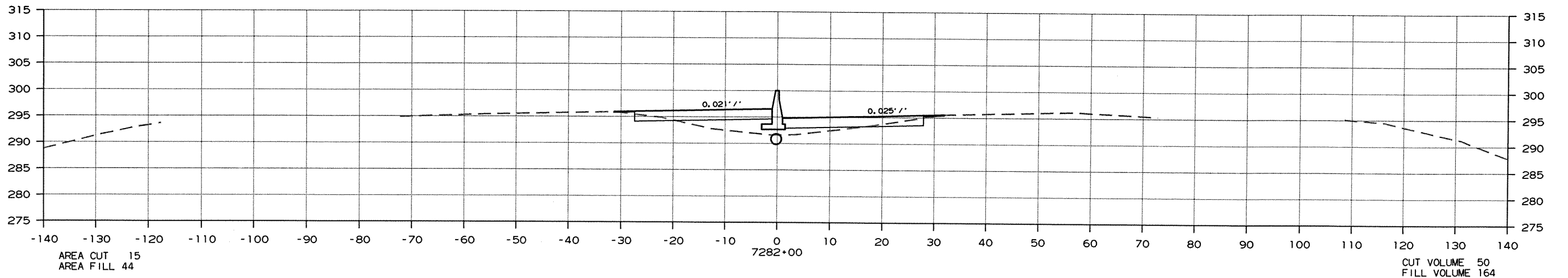
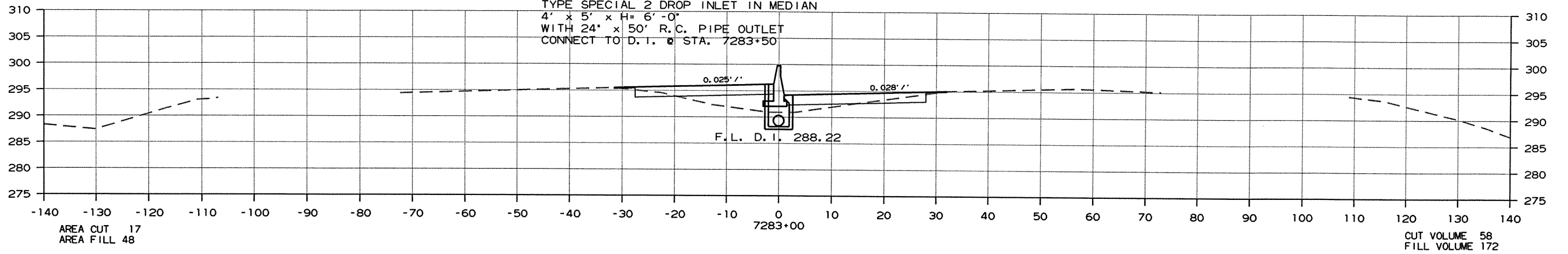
DATE REVISED	DATE FILMED	DATE REVISED	DATE FILMED	FED. DIST. NO.	STATE	FED. AID PROJ. NO.	SHEET NO.	TOTAL SHEETS
				6	ARK.			
JOB NO. 080388							363	452

2 CROSS SECTIONS

STA. 7283+50 IN PLACE
 TYPE N DROP INLET IN MEDIAN
 RETAIN AND ADJUST TO GRADE
 AND MODIFY TO TYPE SPECIAL 2 DROP INLET



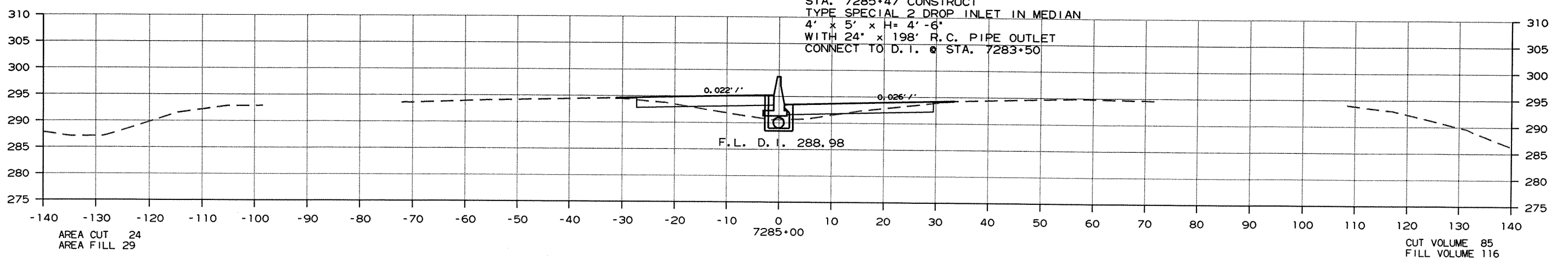
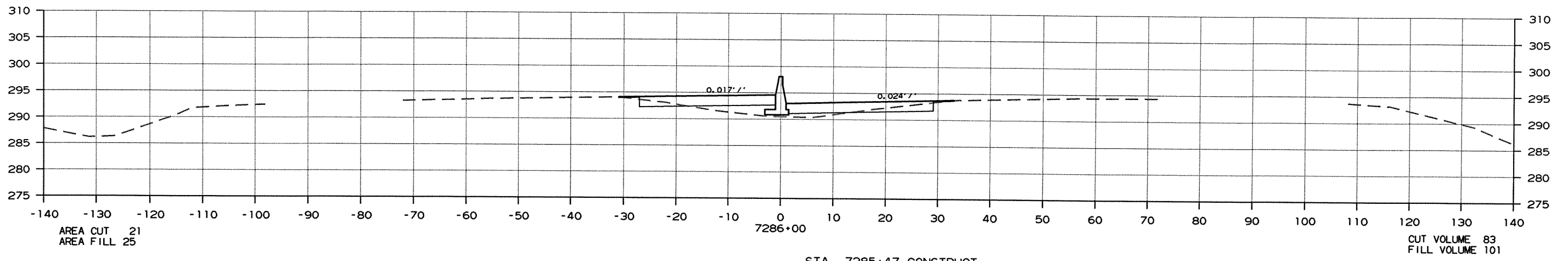
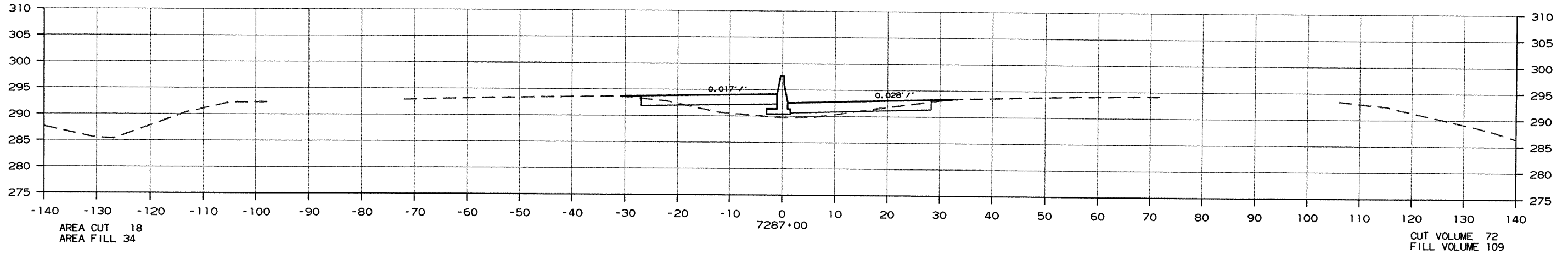
STA. 7283+00 CONSTRUCT
 TYPE SPECIAL 2 DROP INLET IN MEDIAN
 4' x 5' x H= 6'-0"
 WITH 24' x 50' R.C. PIPE OUTLET
 CONNECT TO D.I. @ STA. 7283+50



CROSS SECTION STA. 7282+00 TO STA. 7284+00

DATE REVISED	DATE FILMED	DATE REVISED	DATE FILMED	FED. RD. DIST. NO.	STATE	FED. AID PROJ. NO.	SHEET NO.	TOTAL SHEETS
				6	ARK.			
						080388	364	452

② CROSS SECTIONS

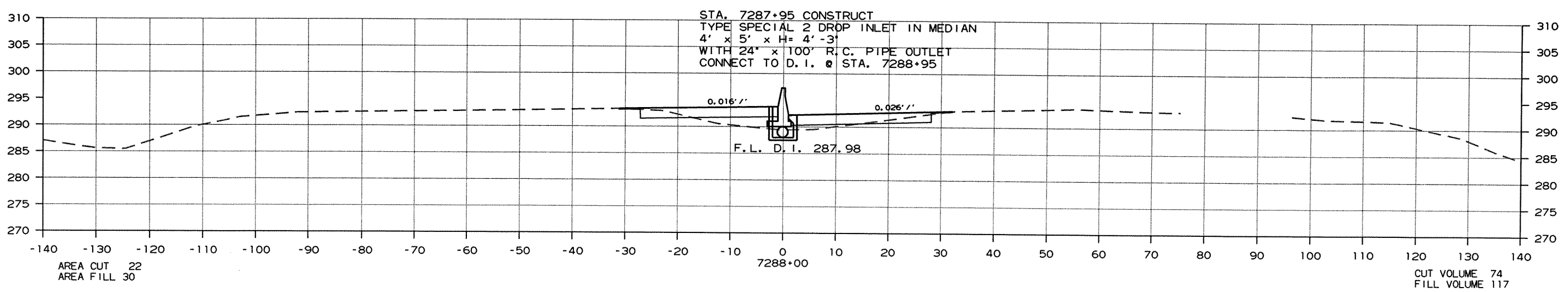
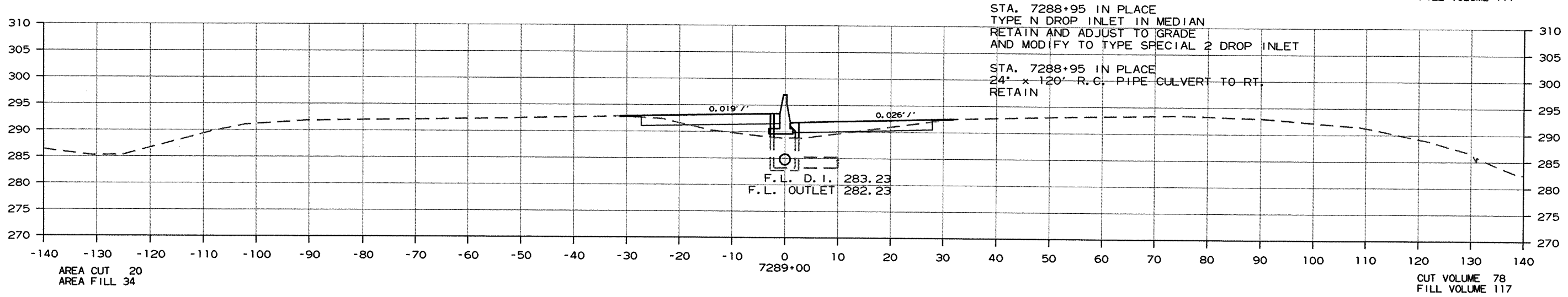
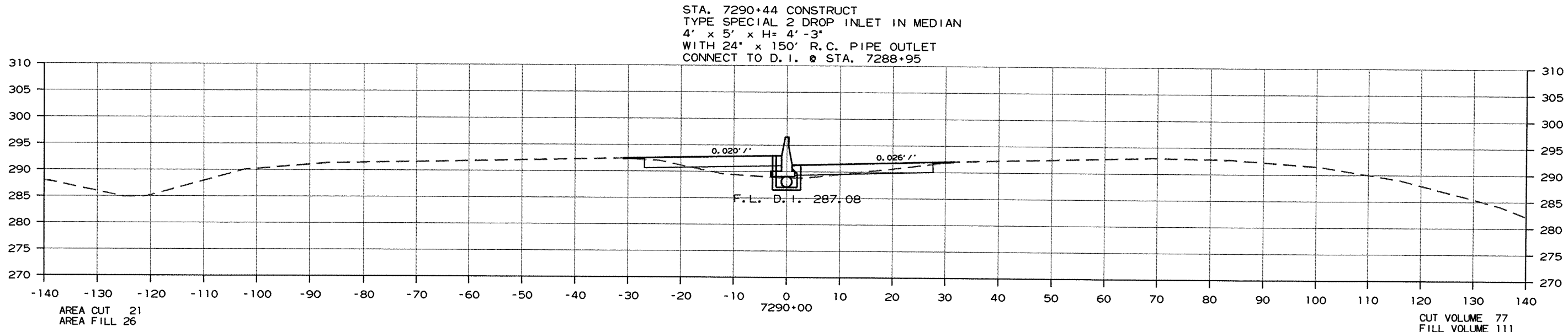


CROSS SECTION STA. 7285+00 TO STA. 7287+00

R080388.DCN 10/27/2011

DATE REVISED	DATE FILMED	DATE REVISED	DATE FILMED	FED. DIST. NO.	STATE	FED. AID PROJ. NO.	SHEET NO.	TOTAL SHEETS
				6	ARK.			
JOB NO. 080388							365	452

2 CROSS SECTIONS

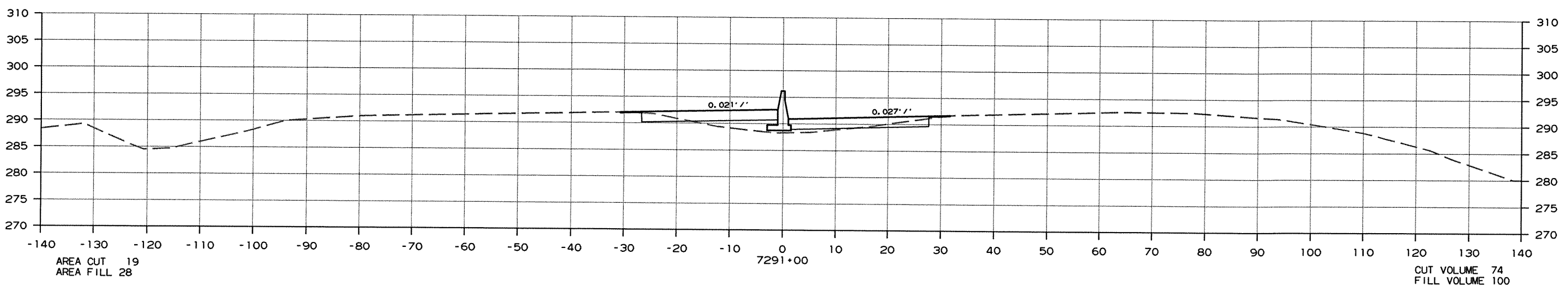
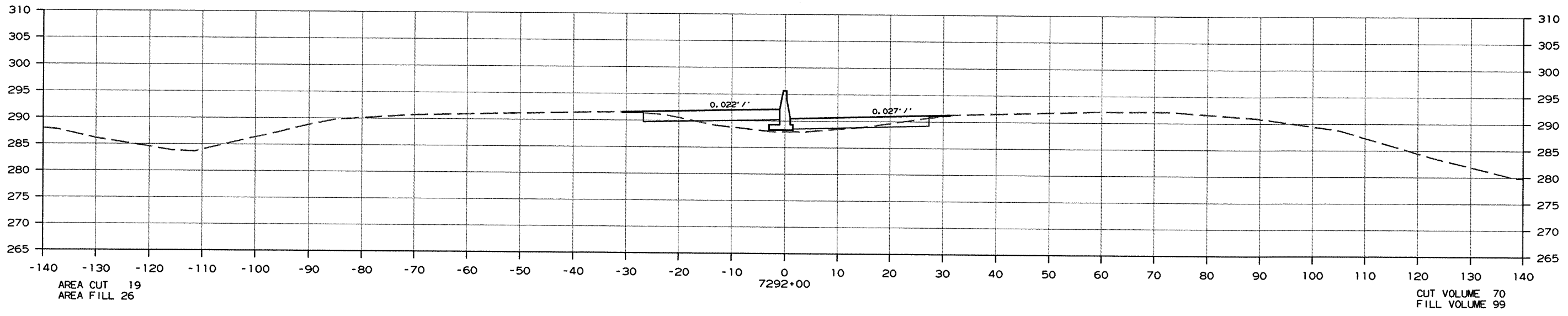


CROSS SECTION STA. 7288+00 TO STA. 7290+00

R080388.DGN 10/27/2011

DATE REVISED	DATE FILMED	DATE REVISED	DATE FILMED	FED. RD. DIST. NO.	STATE	FED. AID PROJ. NO.	SHEET NO.	TOTAL SHEETS
				6	ARK.			
JOB NO. 080388							366	452

② CROSS SECTIONS

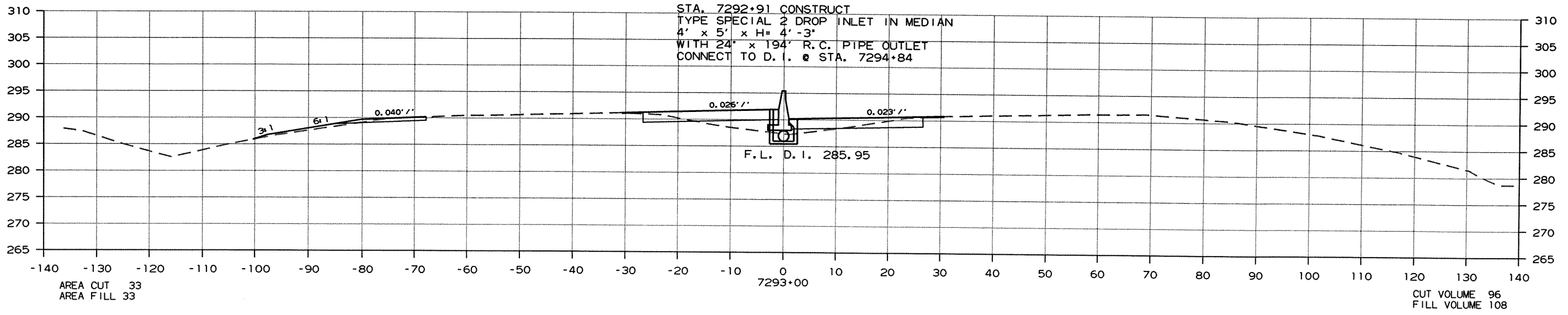
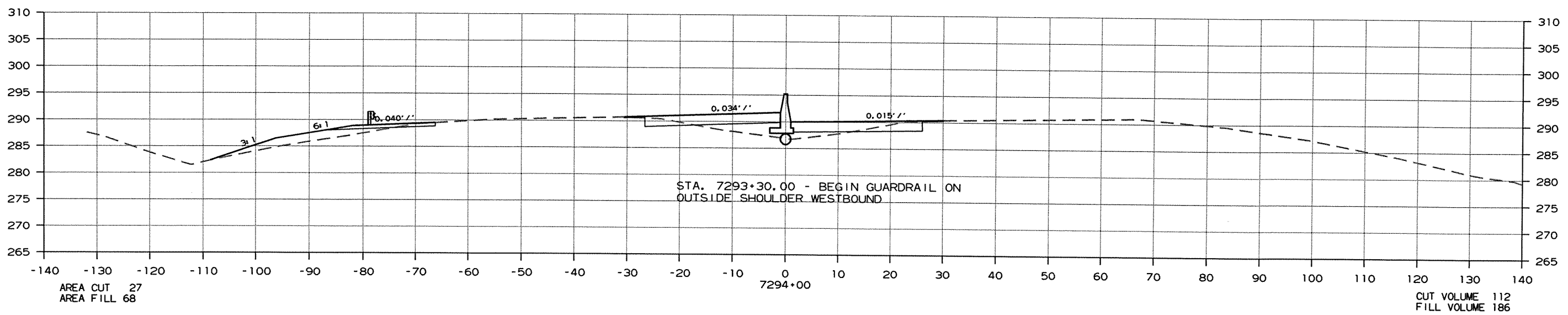


CROSS SECTION STA. 7291+00 TO STA. 7292+00

RO80388.DGN 10/25/2011

DATE REVISED	DATE FILMED	DATE REVISED	DATE FILMED	FED. RD. DIST. NO.	STATE	FED. AID PROJ. NO.	SHEET NO.	TOTAL SHEETS
				6	ARK.			
						JOB NO. 080388	367	452

2 CROSS SECTIONS

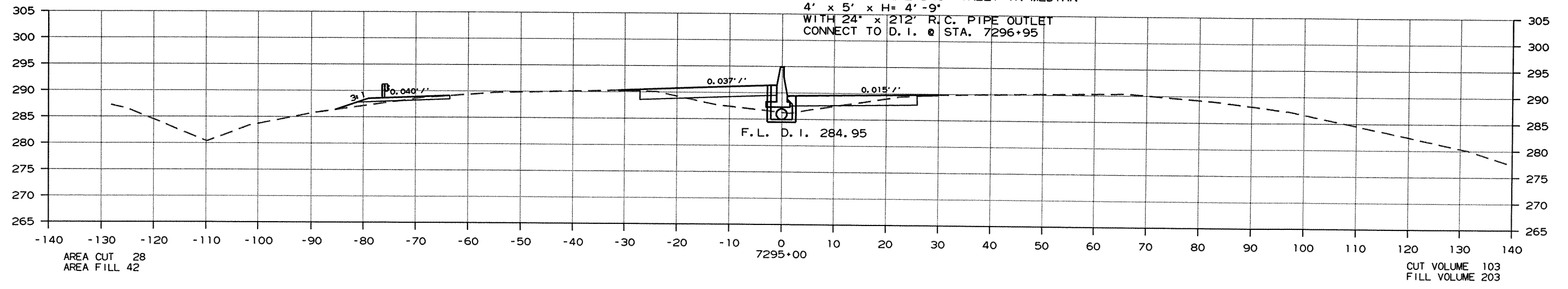
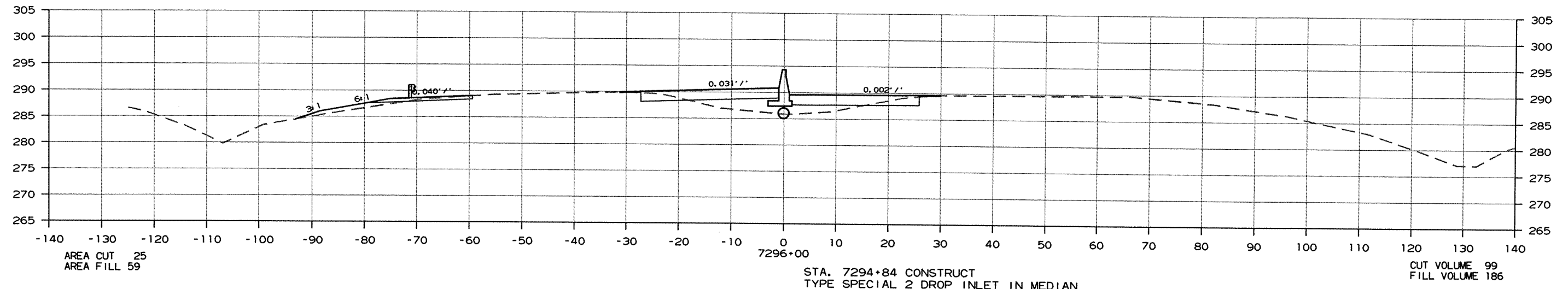
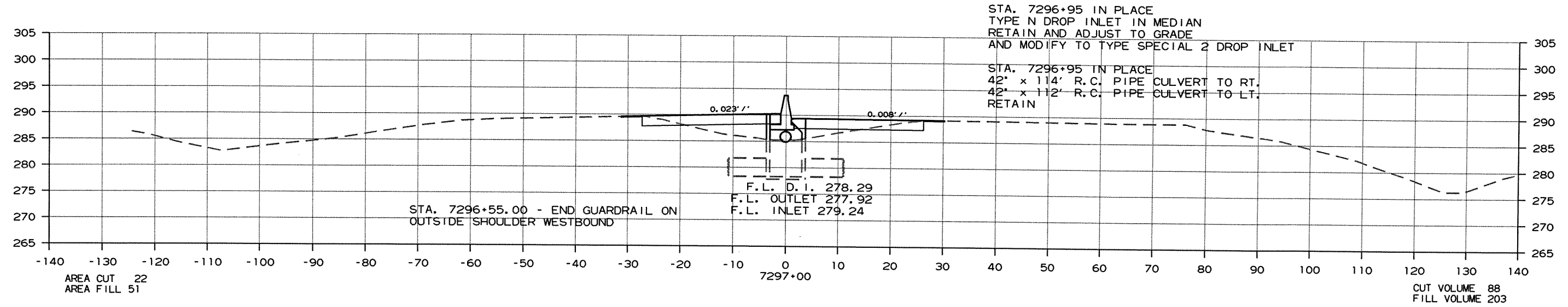


CROSS SECTION STA. 7293+00 TO STA. 7294+00

R080388.DGN 10/27/2011

DATE REVISED	DATE FILMED	DATE REVISED	DATE FILMED	FED. RD. DIST. NO.	STATE	FED. AID PROJ. NO.	SHEET NO.	TOTAL SHEETS
				6	ARK.			
JOB NO. 080388							368	452

2 CROSS SECTIONS

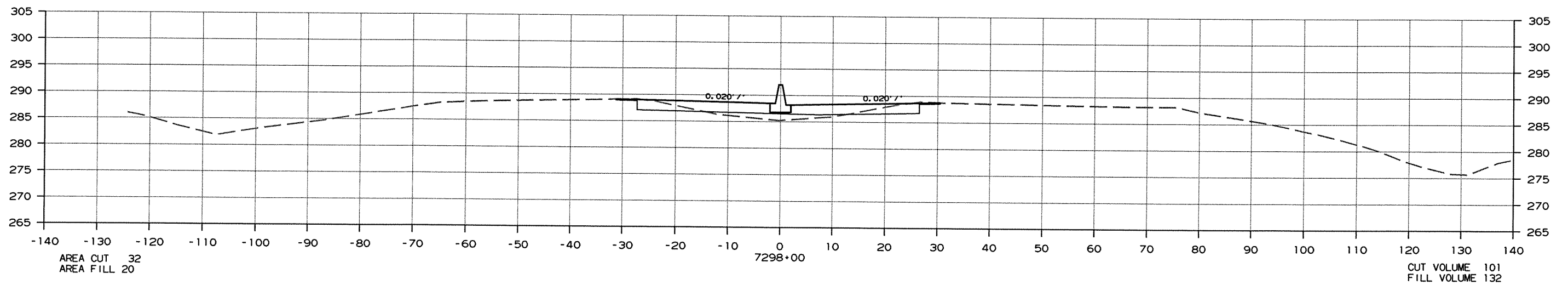
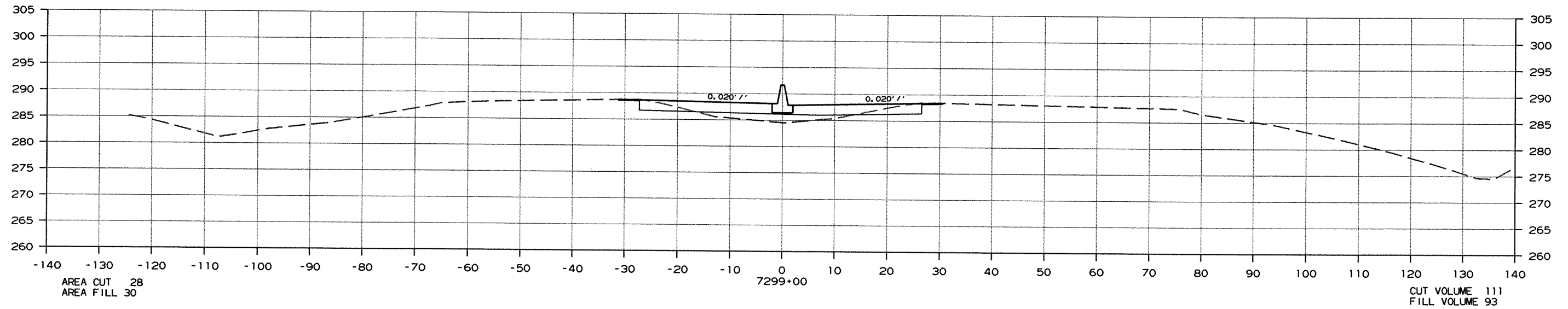


CROSS SECTION STA. 7295+00 TO STA. 7297+00

R080388.DGN 10/27/2011

DATE REVISED	DATE FILMED	DATE REVISED	DATE FILMED	FED. RD. DIST. NO.	STATE	FED. AID PROJ. NO.	SHEET NO.	TOTAL SHEETS
				6	ARK.			
				JOB NO. 080388			369	452

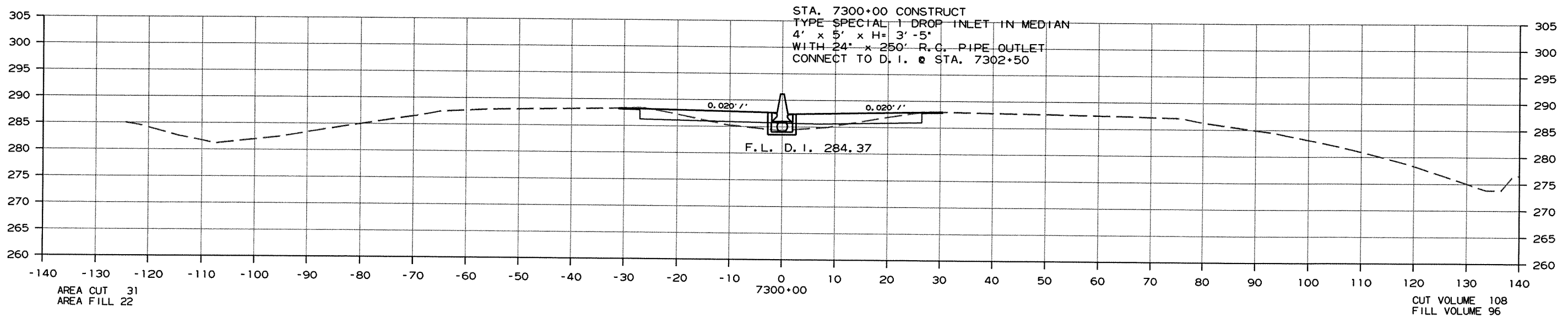
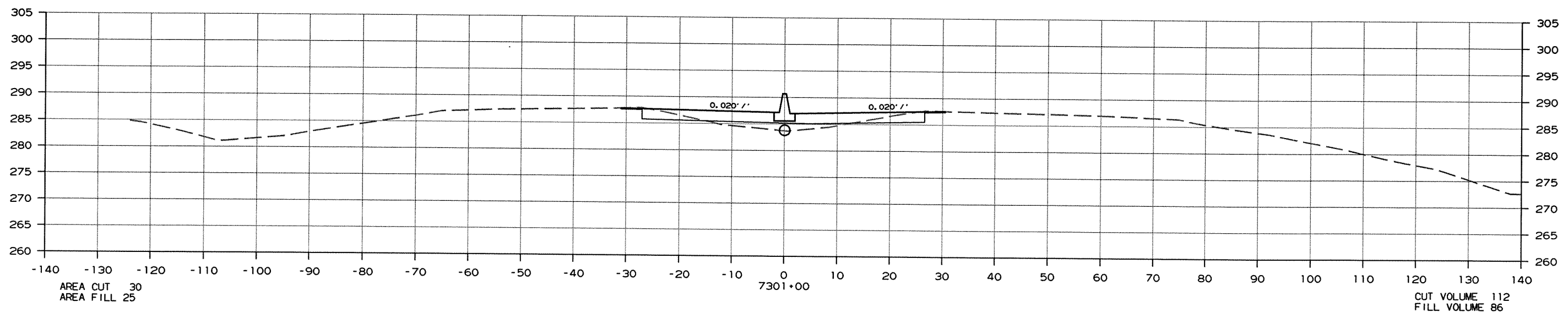
② CROSS SECTIONS



CROSS SECTION STA. 7298+00 TO STA. 7299+00

DATE REVISED	DATE FILMED	DATE REVISED	DATE FILMED	FED. RD. DIST. NO.	STATE	FED. AID PROJ. NO.	SHEET NO.	TOTAL SHEETS
				6	ARK.			
						JOB NO. 080388	370	452

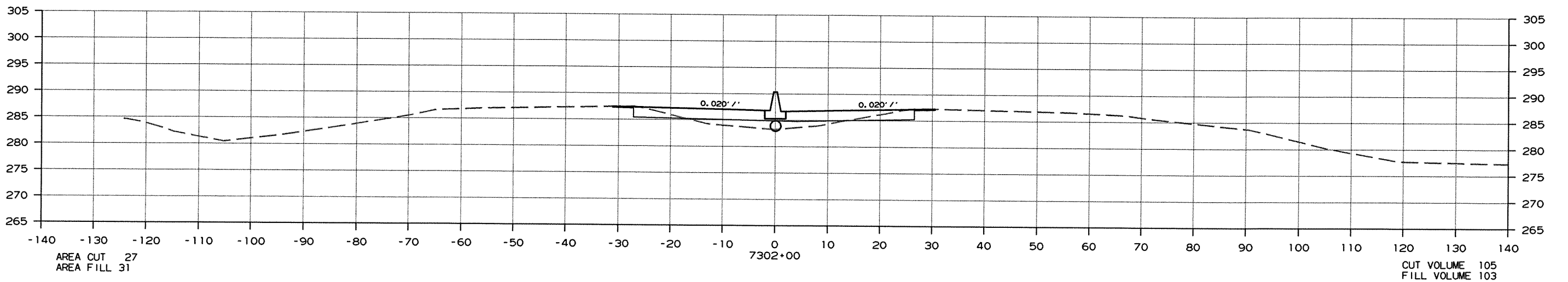
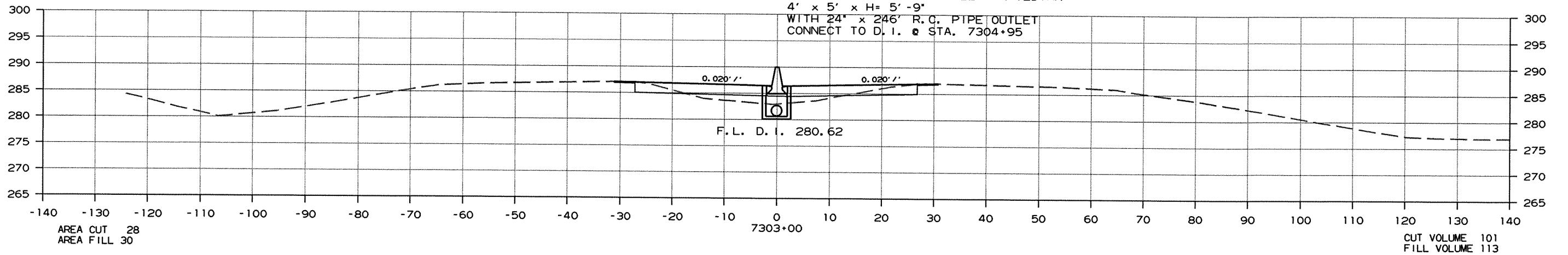
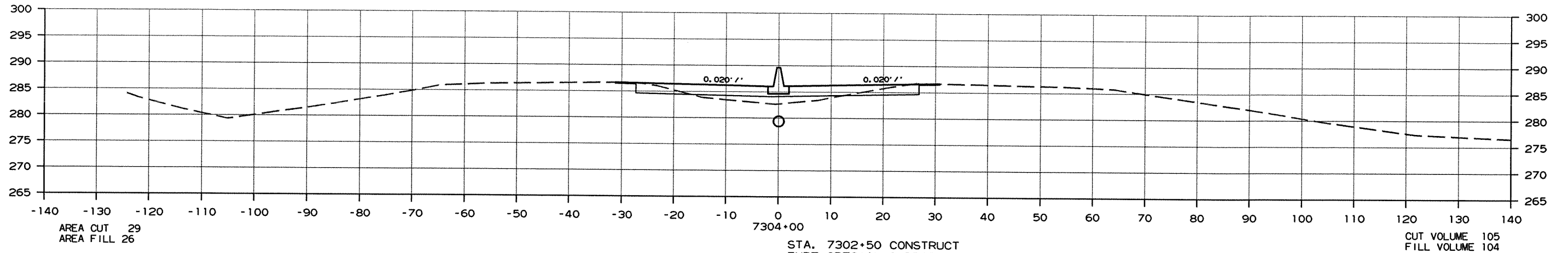
2 CROSS SECTIONS



CROSS SECTION STA. 7300+00 TO STA. 7301+00

DATE REVISED	DATE FILMED	DATE REVISED	DATE FILMED	FED. RD. DIST. NO.	STATE	FED. AID PROJ. NO.	SHEET NO.	TOTAL SHEETS
				6	ARK.			
						JOB NO. 080388	371	452

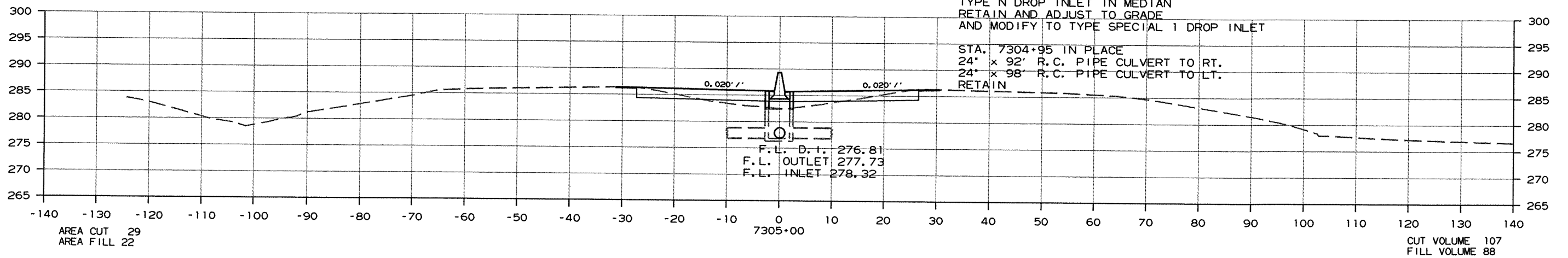
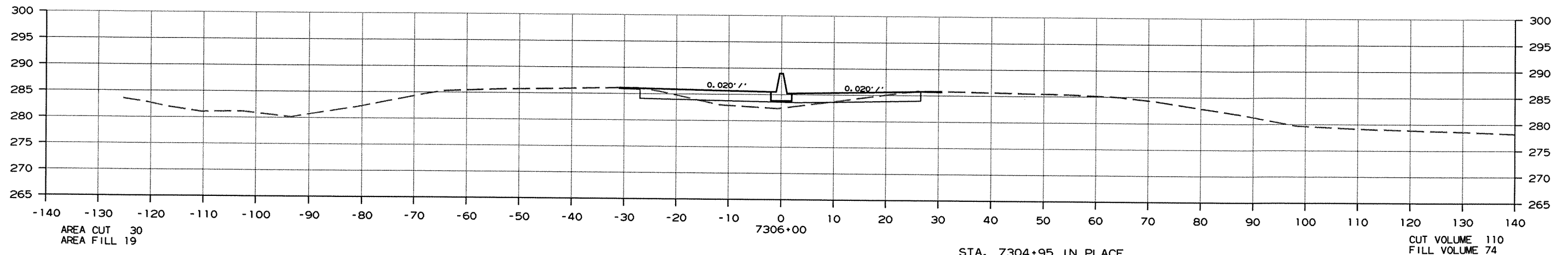
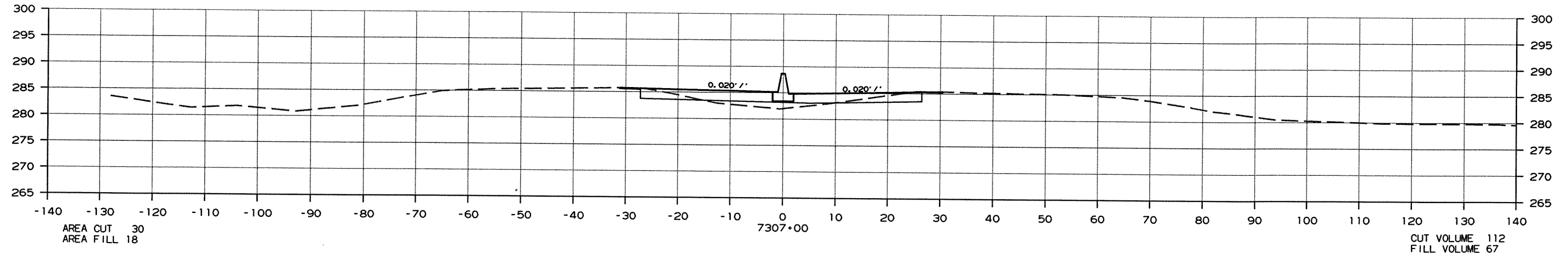
2 CROSS SECTIONS



CROSS SECTION STA. 7302+00 TO STA. 7304+00

DATE REVISED	DATE FILED	DATE REVISED	DATE FILED	FED. RD. DIST. NO.	STATE	FED. AID PROJ. NO.	SHEET NO.	TOTAL SHEETS
				6	ARK.			
						JOB NO. 080388	372	452

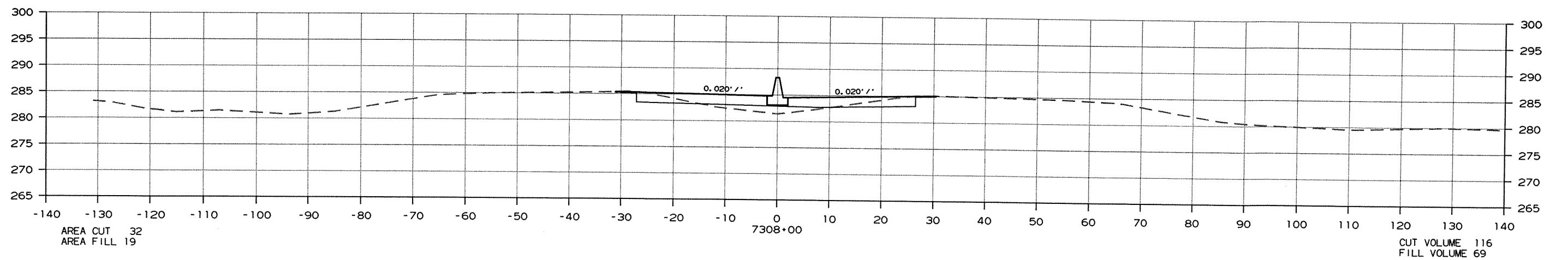
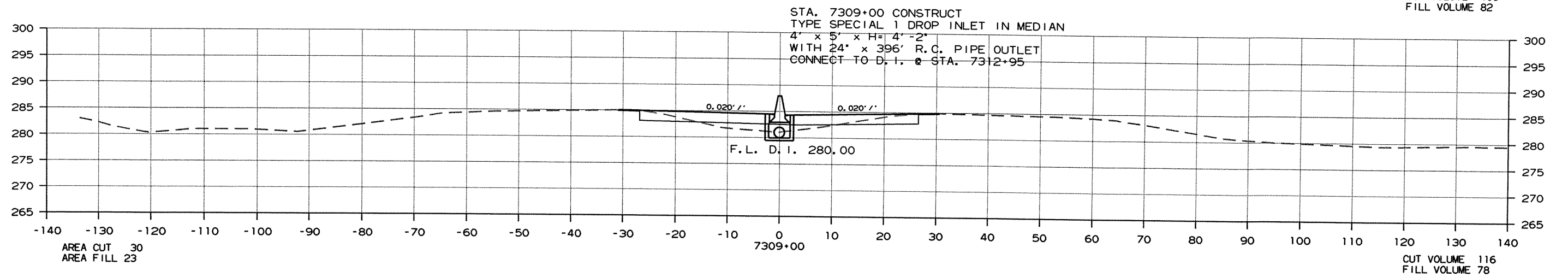
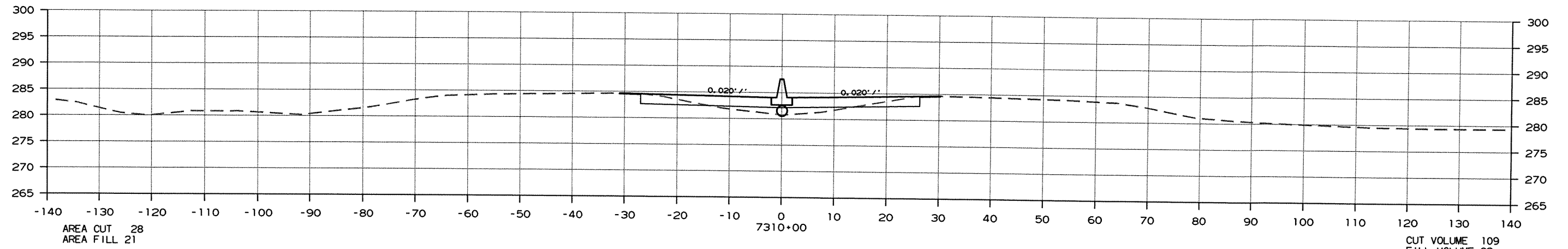
2 CROSS SECTIONS



CROSS SECTION STA. 7305+00 TO STA. 7307+00

DATE REVISED	DATE FILMED	DATE REVISED	DATE FILMED	FED. RD. DIST. NO.	STATE	FED. AID PROJ. NO.	SHEET NO.	TOTAL SHEETS
				6	ARK.			
						JOB NO. 080388	373	452

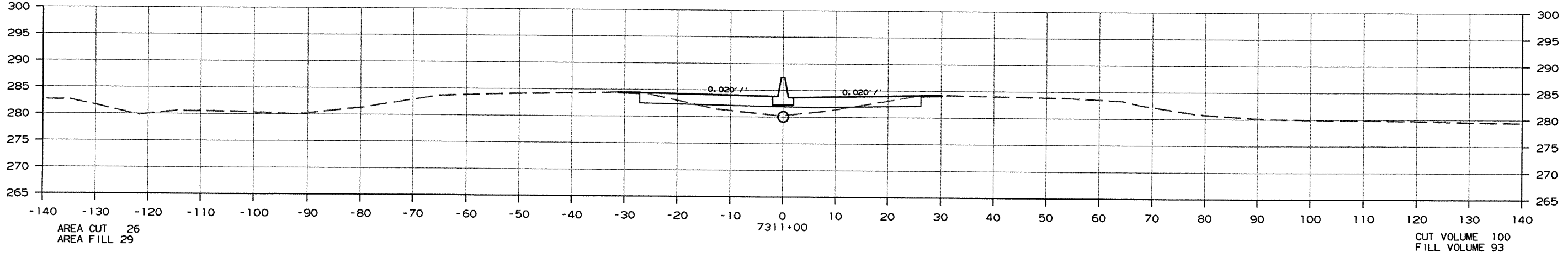
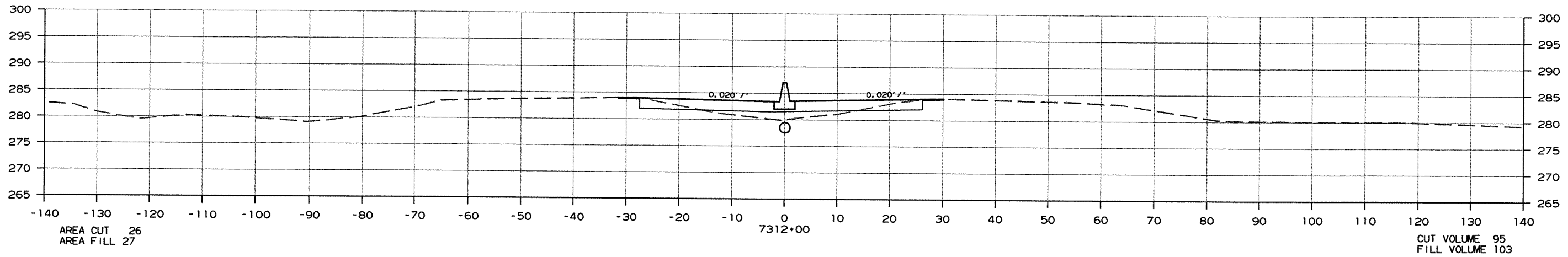
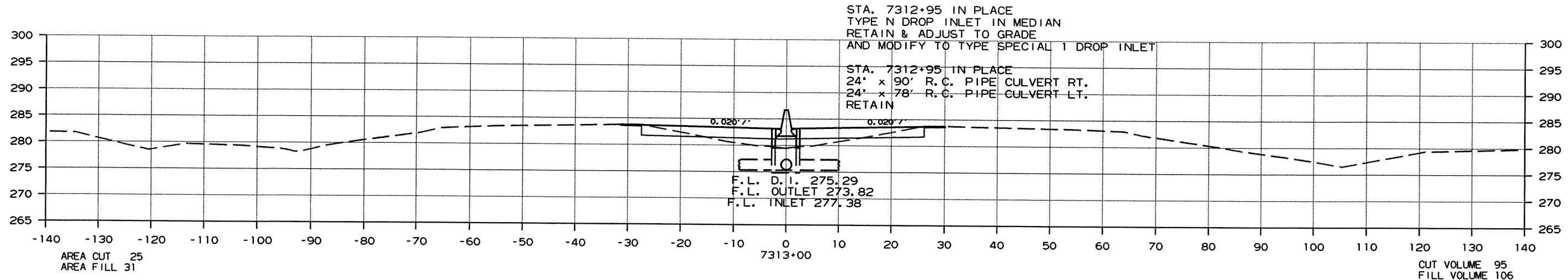
2 CROSS SECTIONS



CROSS SECTION STA. 7308+00 TO STA. 7310+00

DATE REVISED	DATE FILMED	DATE REVISED	DATE FILMED	FED. RD. DIST. NO.	STATE	FED. AID PROJ. NO.	SHEET NO.	TOTAL SHEETS
				6	ARK.			
						JOB NO. 080388	374	452

2 CROSS SECTIONS

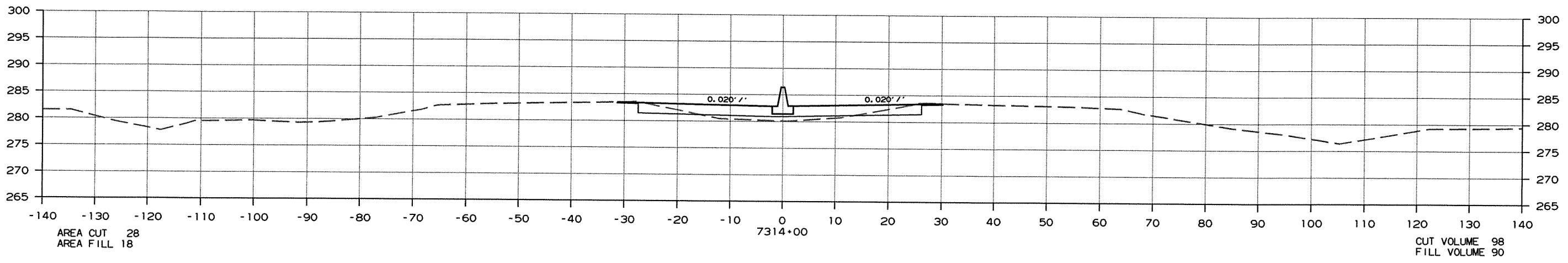
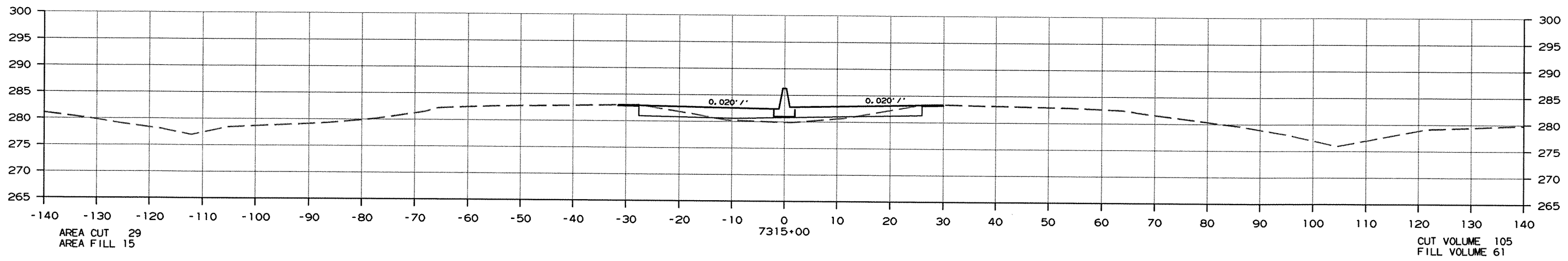
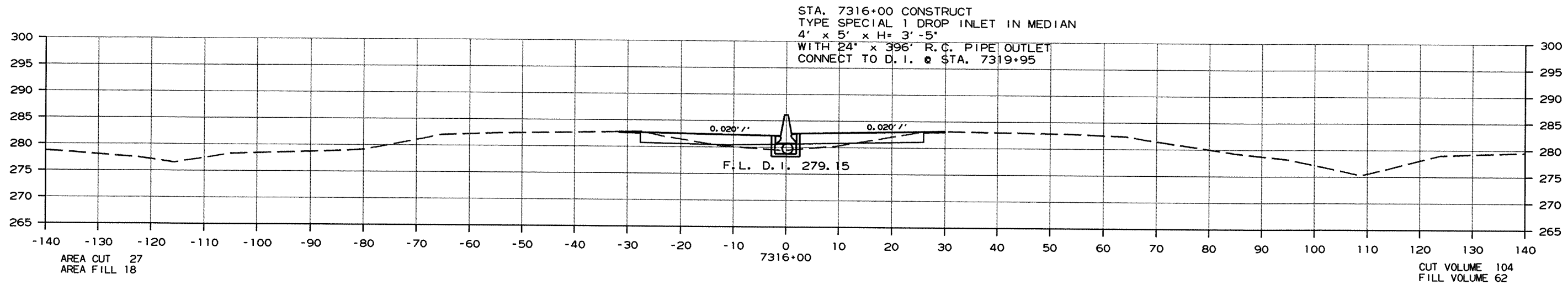


CROSS SECTION STA. 7311+00 TO STA. 7313+00

RO80388.DGN 10/25/2011

DATE REVISED	DATE FILMED	DATE REVISED	DATE FILMED	FED. RD. DIST. NO.	STATE	FED. AID PROJ. NO.	SHEET NO.	TOTAL SHEETS
				6	ARK.			
						JOB NO. 080388	375	452

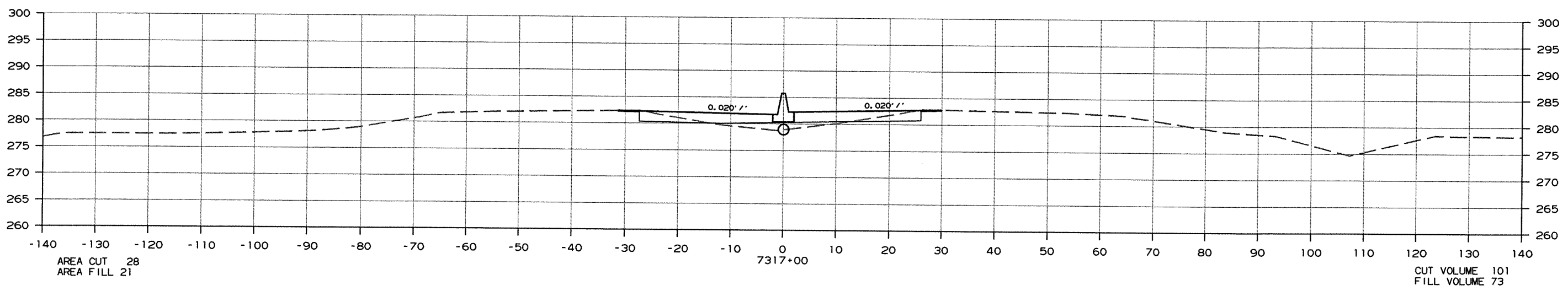
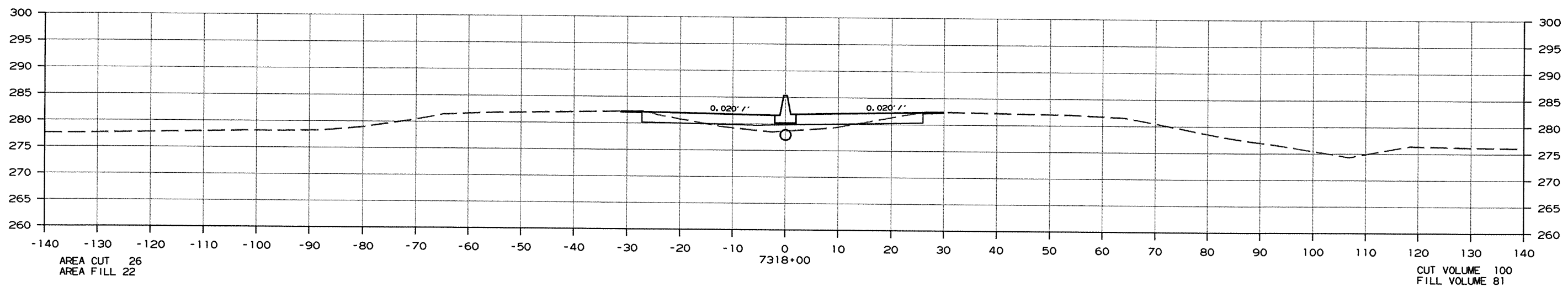
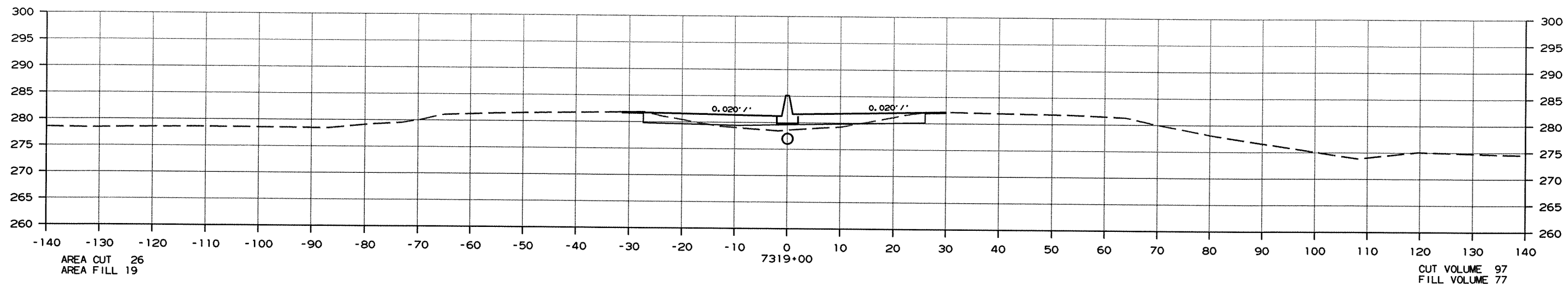
② CROSS SECTIONS



CROSS SECTION STA. 7314+00 TO STA. 7316+00

DATE REVISED	DATE FILMED	DATE REVISED	DATE FILMED	FED. RD. DIST. NO.	STATE	FED. AID PROJ. NO.	SHEET NO.	TOTAL SHEETS
				6	ARK.			
						JOB NO. 080388	376	452

② CROSS SECTIONS

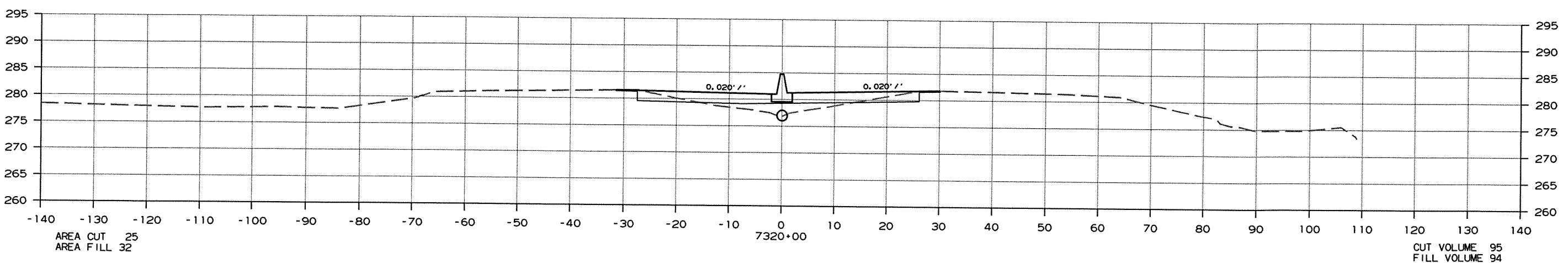
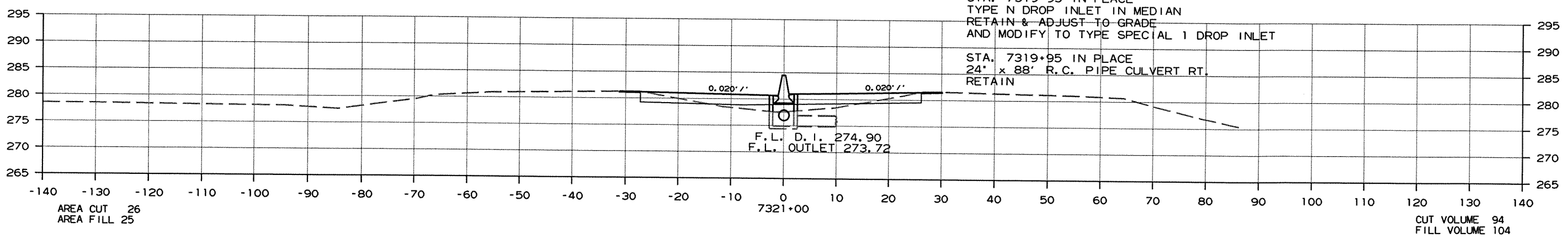
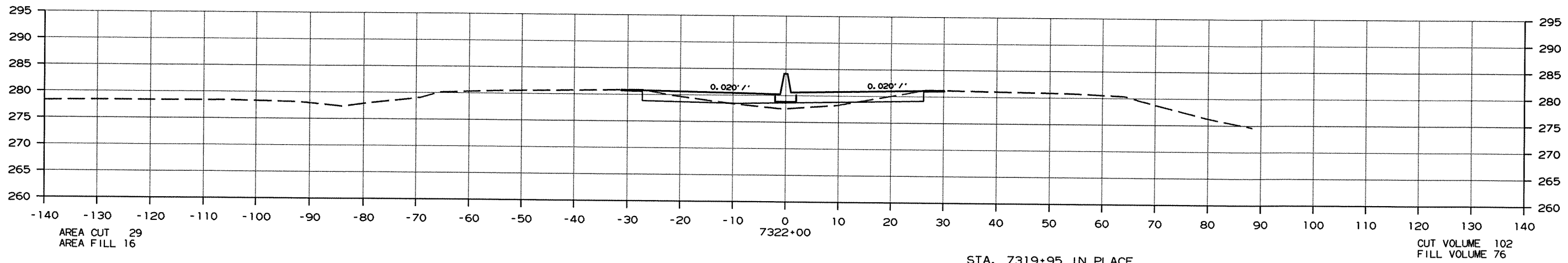


CROSS SECTION STA. 7317+00 TO STA. 7319+00

RO80388.DGN 10/25/2011

DATE REVISED	DATE FILMED	DATE REVISED	DATE FILMED	FED. RD. DIST. NO.	STATE	FED. AID PROJ. NO.	SHEET NO.	TOTAL SHEETS
				6	ARK.			
						JOB NO. 080388	377	452

2 CROSS SECTIONS

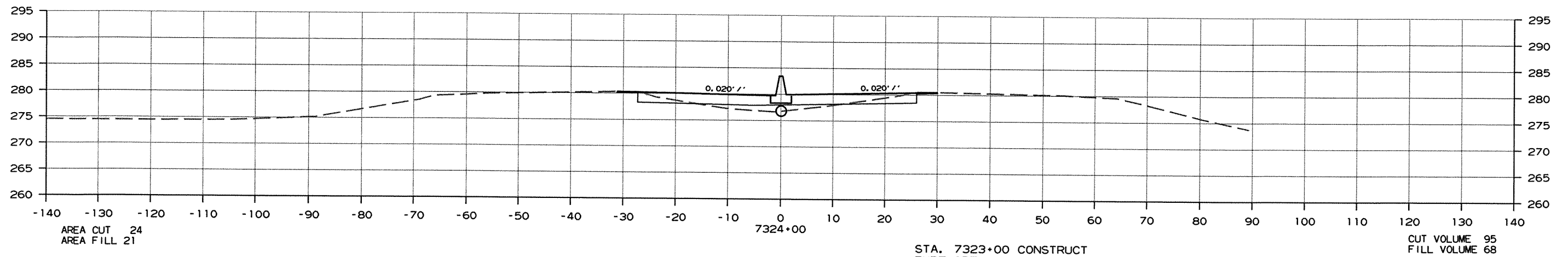
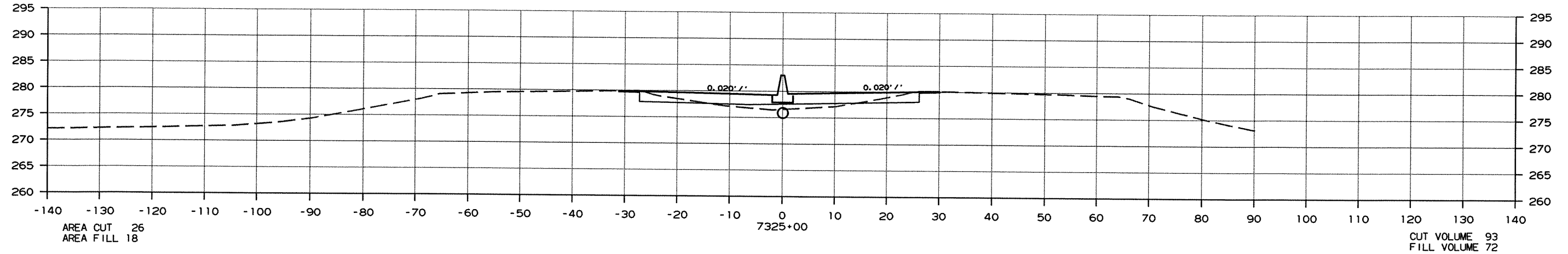


CROSS SECTION STA. 7320+00 TO STA. 7322+00

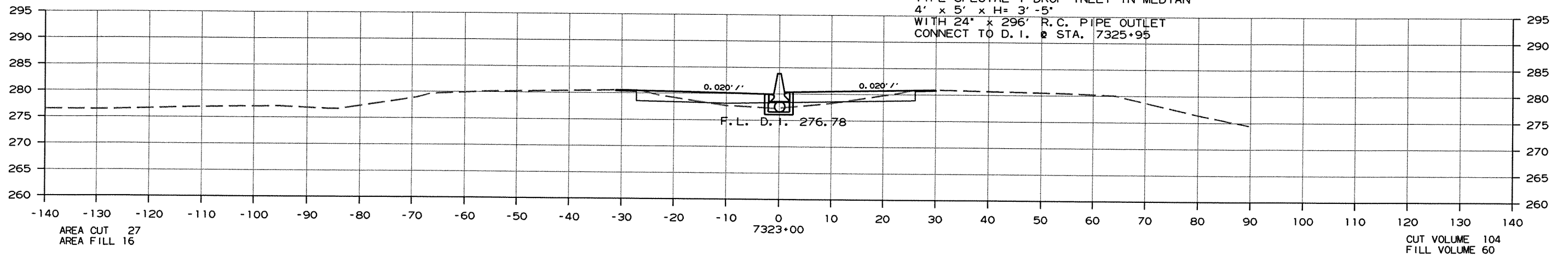
RO80388.DGN 10/25/2011

DATE REVISED	DATE FILMED	DATE REVISED	DATE FILMED	FED. RD. DIST. NO.	STATE	FED. AID PROJ. NO.	SHEET NO.	TOTAL SHEETS
				6	ARK.			
						JOB NO. 080388	378	452

2 CROSS SECTIONS



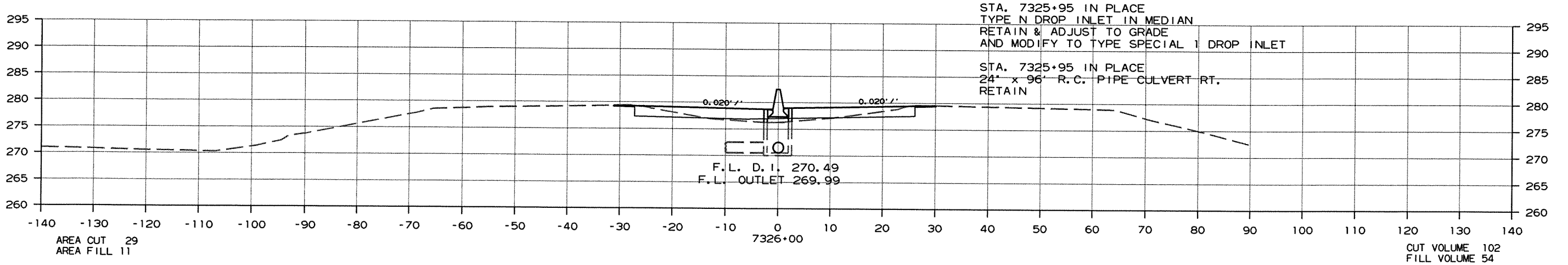
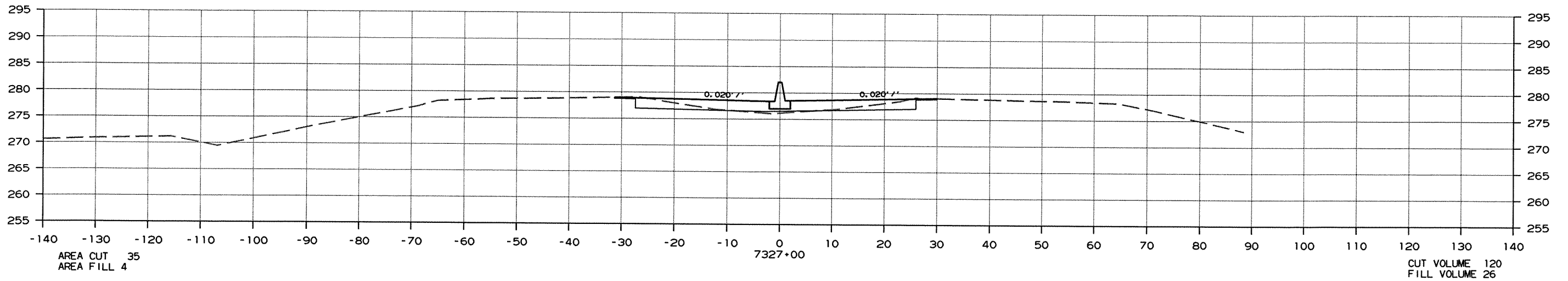
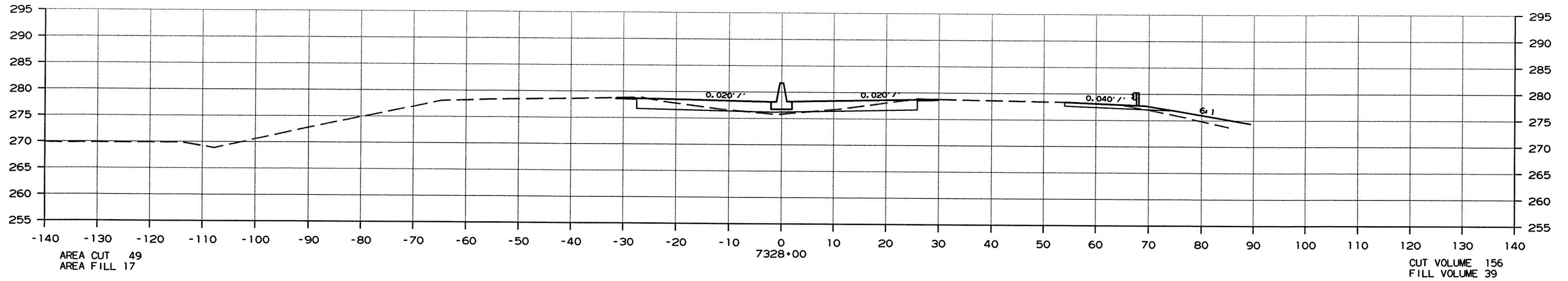
STA. 7323+00 CONSTRUCT
 TYPE SPECIAL 1 DROP INLET IN MEDIAN
 4' x 5' x H= 3'-5"
 WITH 24" x 296' R.C. PIPE OUTLET
 CONNECT TO D.I. @ STA. 7325+95



CROSS SECTION STA. 7323+00 TO STA. 7325+00

DATE REVISED	DATE FILMED	DATE REVISED	DATE FILMED	FED. RD. DIST. NO.	STATE	FED. AID PROJ. NO.	SHEET NO.	TOTAL SHEETS
				6	ARK.			
				JOB NO.	080388		379	452

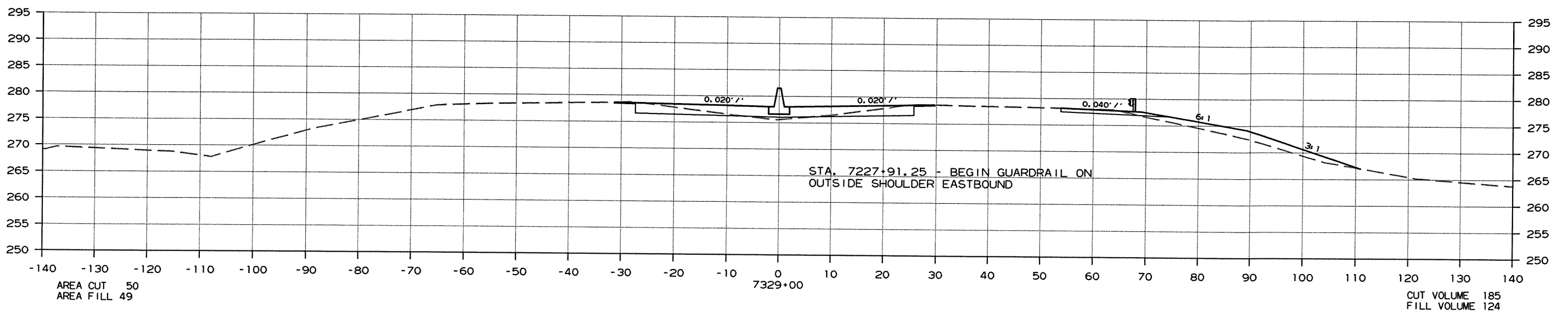
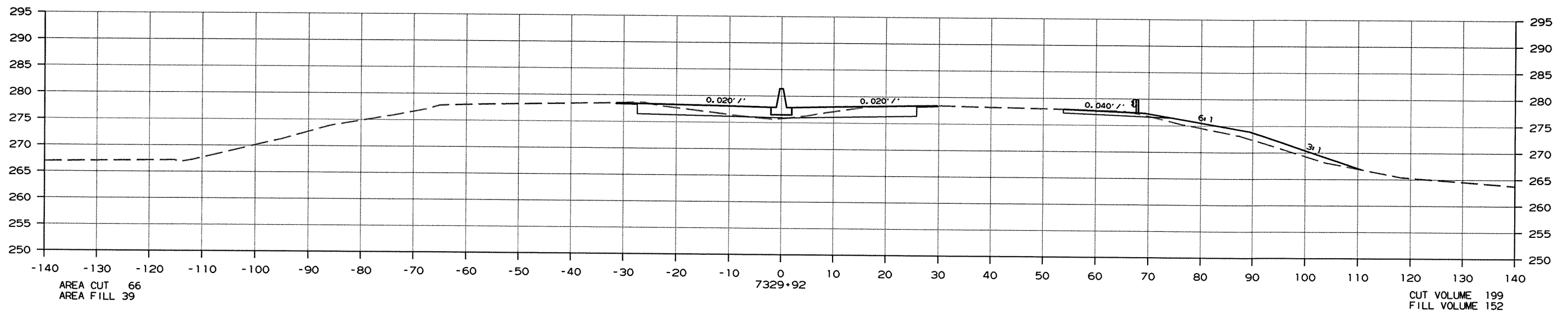
② CROSS SECTIONS



CROSS SECTION STA. 7326+00 TO STA. 7328+00

DATE REVISED	DATE FILMED	DATE REVISED	DATE FILMED	FED. RD. DIST. NO.	STATE	FED. AID PROJ. NO.	SHEET NO.	TOTAL SHEETS
				6	ARK.			
						JOB NO. 080388	380	452

② CROSS SECTIONS

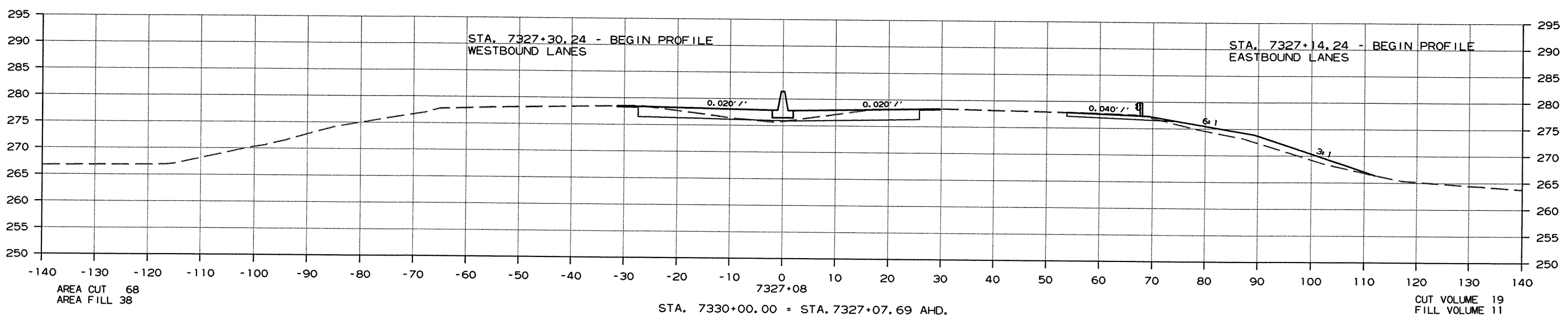
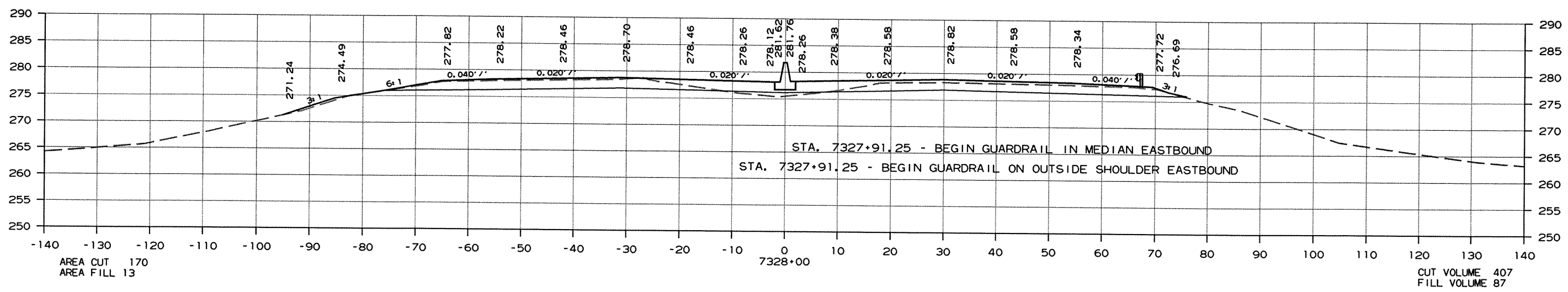


CROSS SECTION STA. 7329+00 TO STA. 7329+92

R080388.DGN 10/25/2011

DATE REVISED	DATE FILMED	DATE REVISED	DATE FILMED	FED. RD. DIST. NO.	STATE	FED. AID PROJ. NO.	SHEET NO.	TOTAL SHEETS
				6	ARK.			
						JOB NO. 080388	381	452

2 CROSS SECTIONS

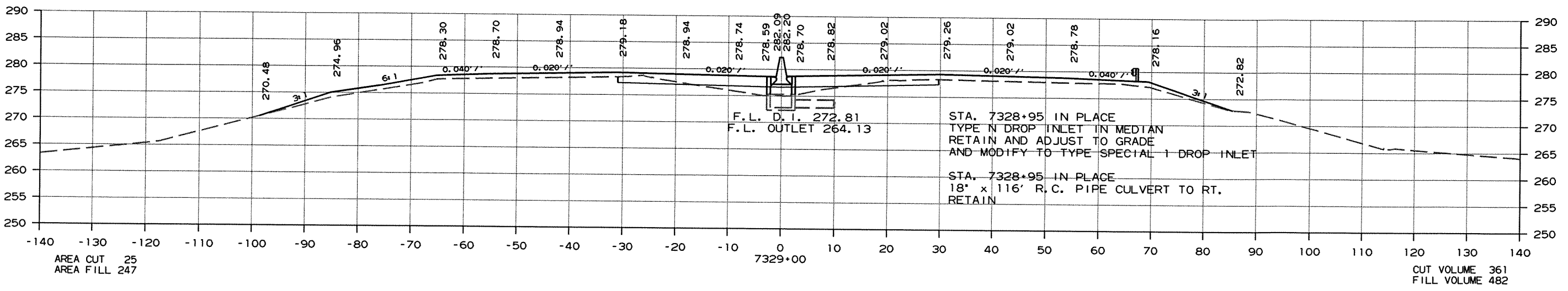
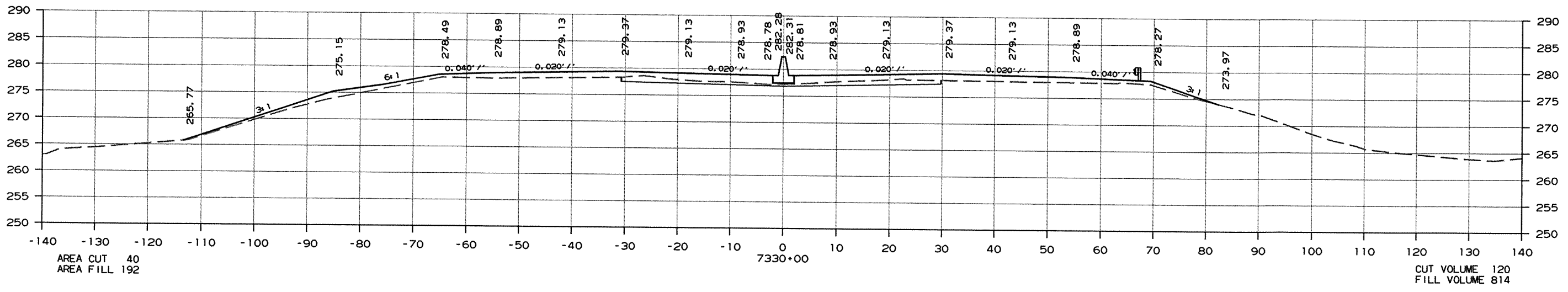
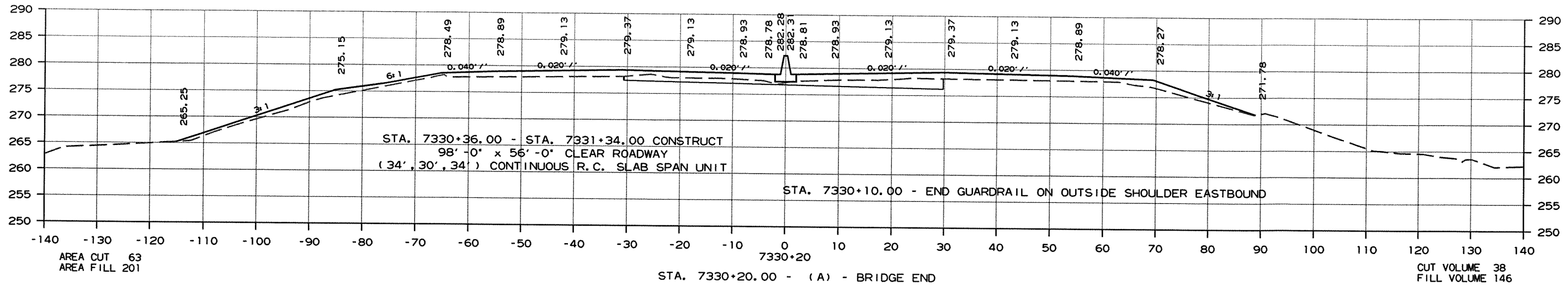


CROSS SECTION STA. 7327+08 TO STA. 7328+00

R080388.DGN 10/25/2011

DATE REVISED	DATE FILMED	DATE REVISED	DATE FILMED	FED. RD. DIST. NO.	STATE	FED. AID PROJ. NO.	SHEET NO.	TOTAL SHEETS
				6	ARK.			
JOB NO. 080388							382	452

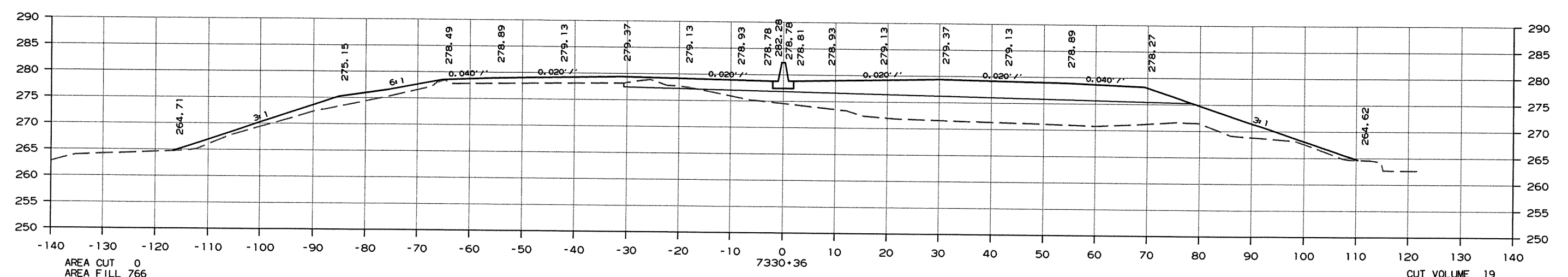
2 CROSS SECTIONS



R080388.DGN 10/25/2011

DATE REVISED	DATE FILMED	DATE REVISED	DATE FILMED	FED. RD. DIST. NO.	STATE	FED. AID PROJ. NO.	SHEET NO.	TOTAL SHEETS
				6	ARK.			
						JOB NO. 080388	383	452

② CROSS SECTIONS



AREA CUT 0
AREA FILL 766

CUT VOLUME 19
FILL VOLUME 287

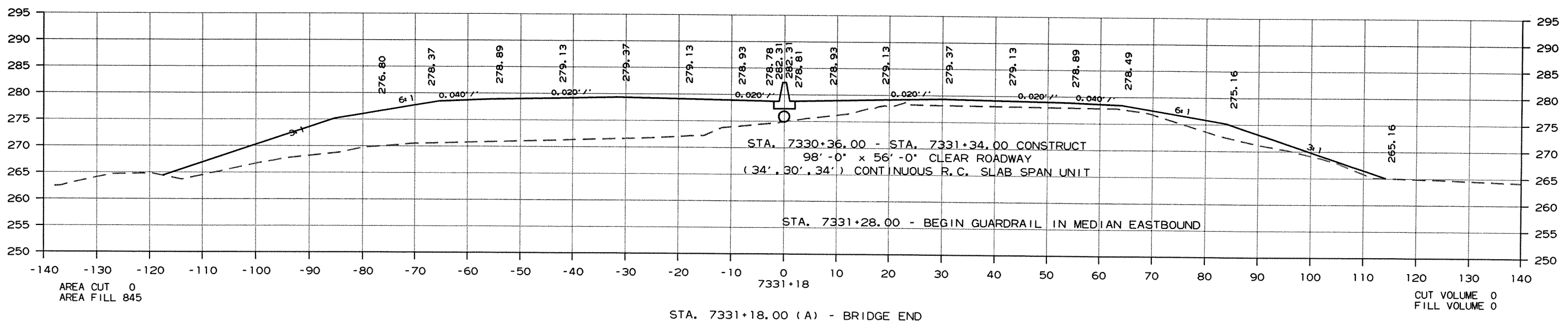
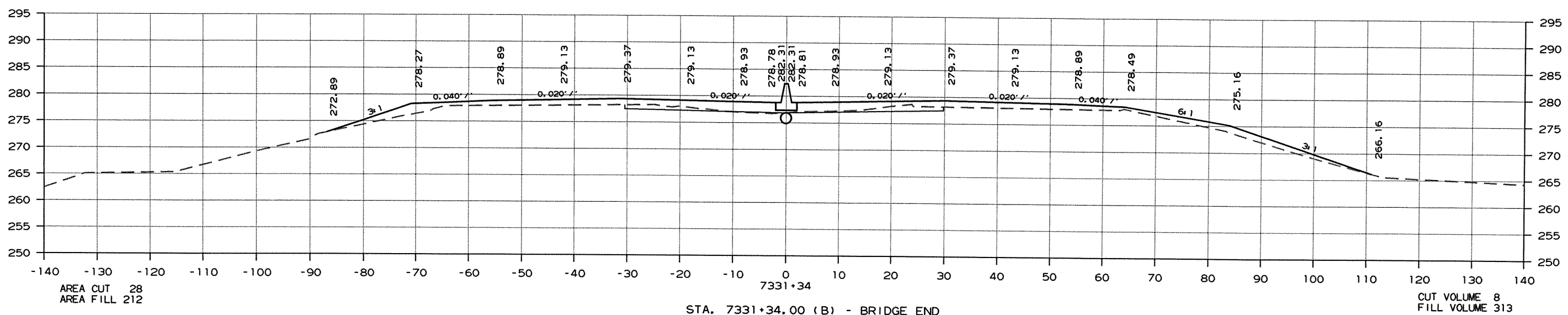
STA. 7330+36.00 - (B) - BRIDGE END

CROSS SECTION STA. 7330+36 TO STA. 7330+36

R080388.DGN 10/25/2011

DATE REVISED	DATE FILMED	DATE REVISED	DATE FILMED	FED. RD. DIST. NO.	STATE	FED. AID PROJ. NO.	SHEET NO.	TOTAL SHEETS
				6	ARK.			
				JOB NO.	080388		384	452

2 CROSS SECTIONS

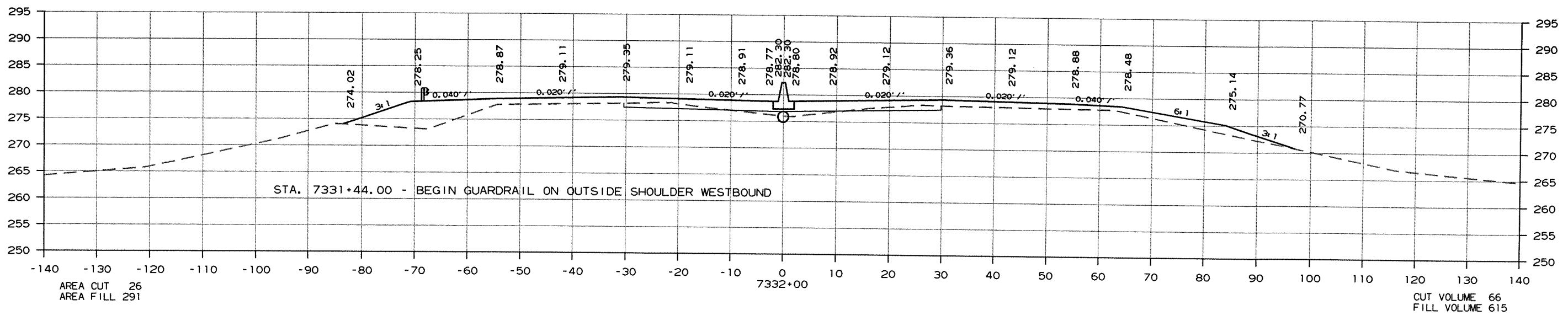
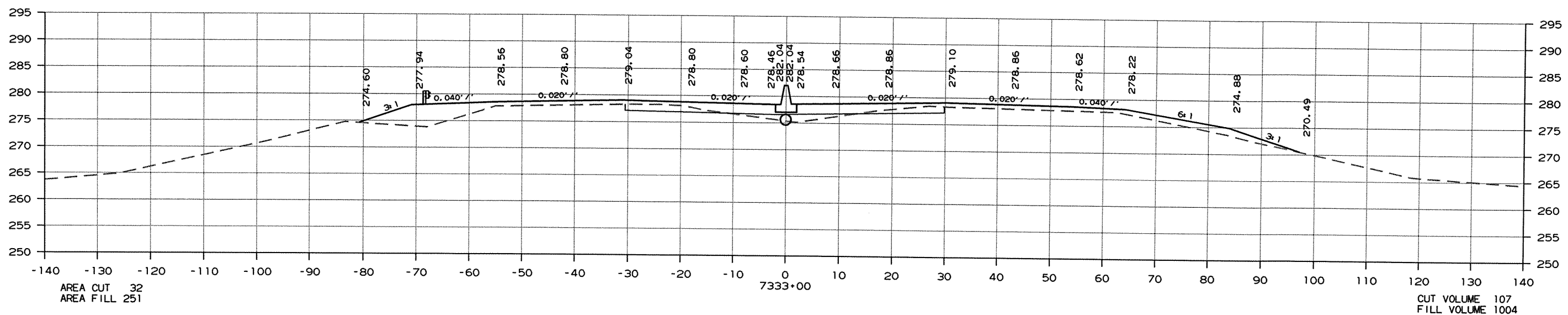


CROSS SECTION STA. 7331+18 TO STA. 7331+34

R080388.DGN 10/27/2011

DATE REVISED	DATE FILMED	DATE REVISED	DATE FILMED	FED. RD. DIST. NO.	STATE	FED. AID PROJ. NO.	SHEET NO.	TOTAL SHEETS
				6	ARK.			
						JOB NO. 080388	385	452

2 CROSS SECTIONS

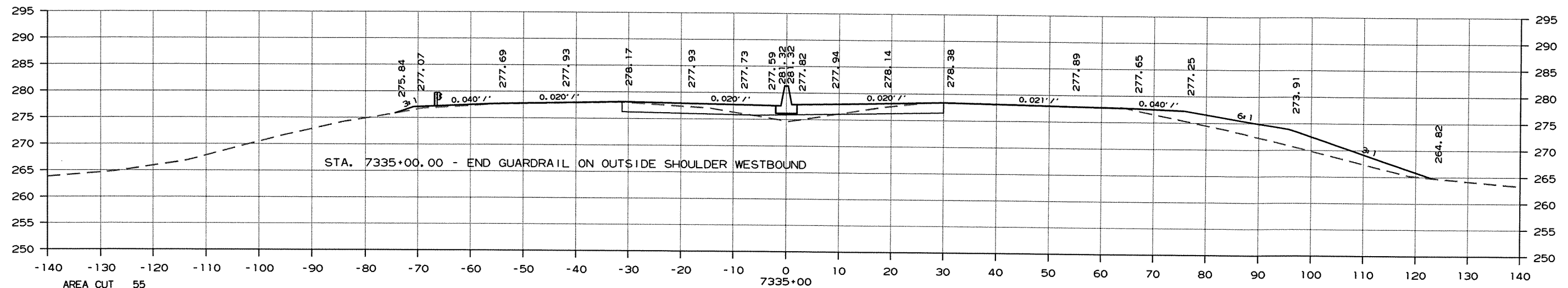


STA. 7331+44.00 - BEGIN GUARDRAIL ON OUTSIDE SHOULDER WESTBOUND

CROSS SECTION STA. 7332+00 TO STA. 7333+00

DATE REVISED	DATE FILMED	DATE REVISED	DATE FILMED	FED. RD. DIST. NO.	STATE	FED. AID PROJ. NO.	SHEET NO.	TOTAL SHEETS
				6	ARK.			
						JOB NO. 080388	386	452

2 CROSS SECTIONS

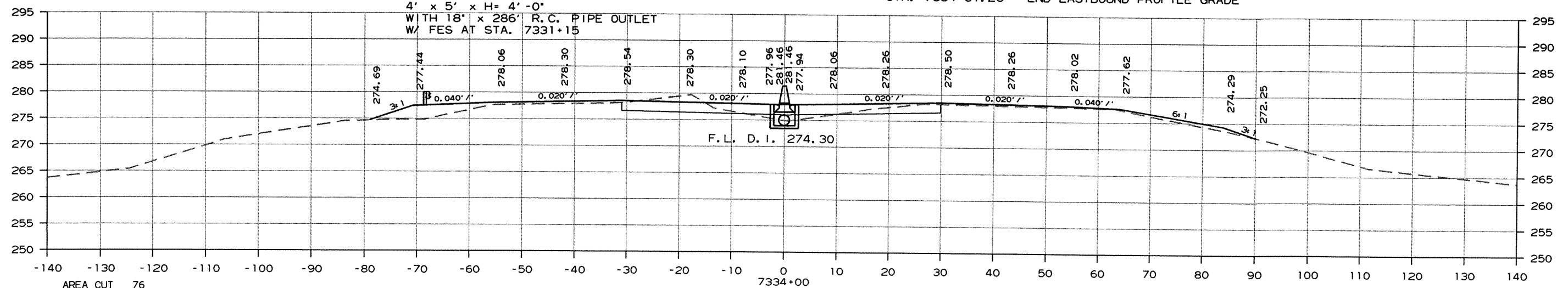


AREA CUT 55
AREA FILL 122

STA. 7334+00 CONSTRUCT
TYPE SPECIAL 1 DROP INLET
4' x 5' x H= 4'-0"
WITH 18" x 286' R.C. PIPE OUTLET
W/ FES AT STA. 7331+15

STA. 7334+61.26 - END EASTBOUND PROFILE GRADE

CUT VOLUME 243
FILL VOLUME 467



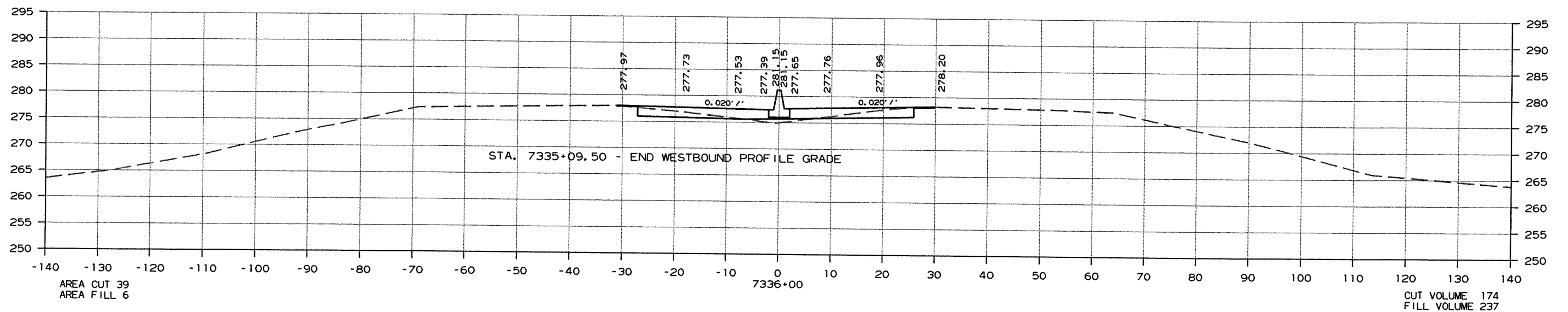
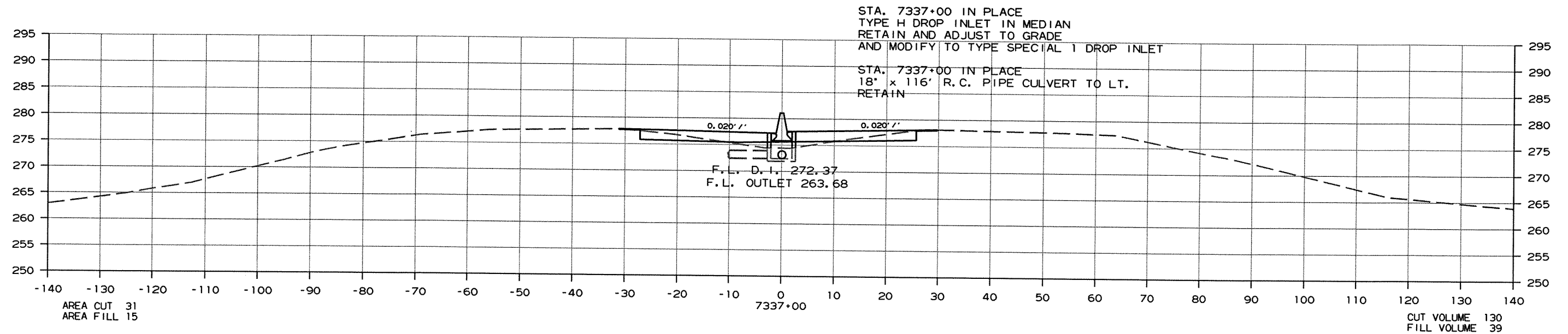
AREA CUT 76
AREA FILL 130

CUT VOLUME 200
FILL VOLUME 706

CROSS SECTION STA. 7334+00 TO STA. 7335+00

DATE REVISED	DATE FILMED	DATE REVISED	DATE FILMED	FED. RD. DIST. NO.	STATE	FED. AID PROJ. NO.	SHEET NO.	TOTAL SHEETS
				6	ARK.			
						JOB NO. 080388	387	452

2 CROSS SECTIONS

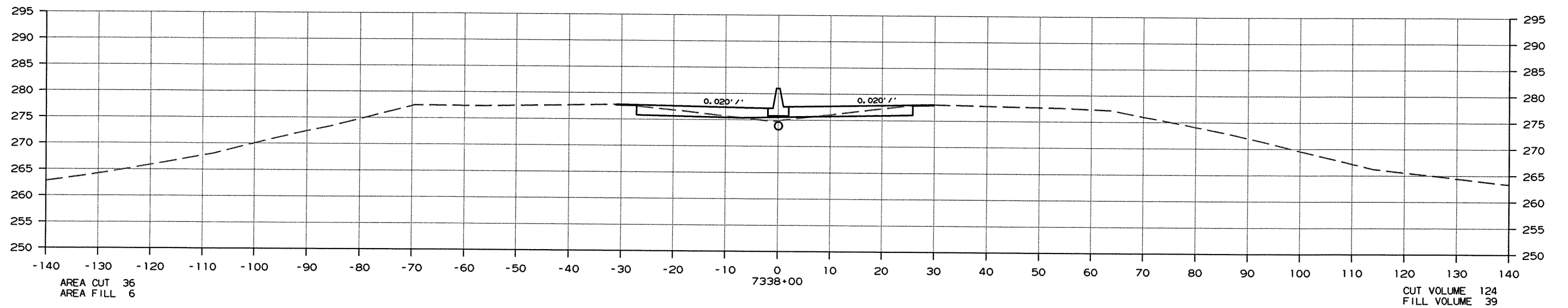
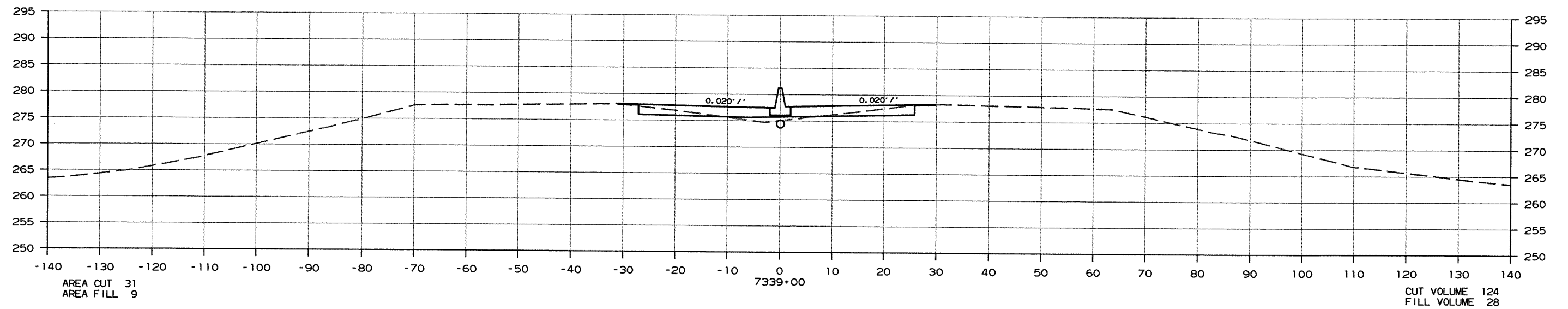


CROSS SECTION STA. 7336+00 TO STA. 7337+00

10/26/2011
FIX.DGN

DATE REVISED	DATE FILMED	DATE REVISED	DATE FILMED	FED. RD. DIST. NO.	STATE	FED. AID PROJ. NO.	SHEET NO.	TOTAL SHEETS
				6	ARK.			
						JOB NO. 080388	388	452

2 CROSS SECTIONS

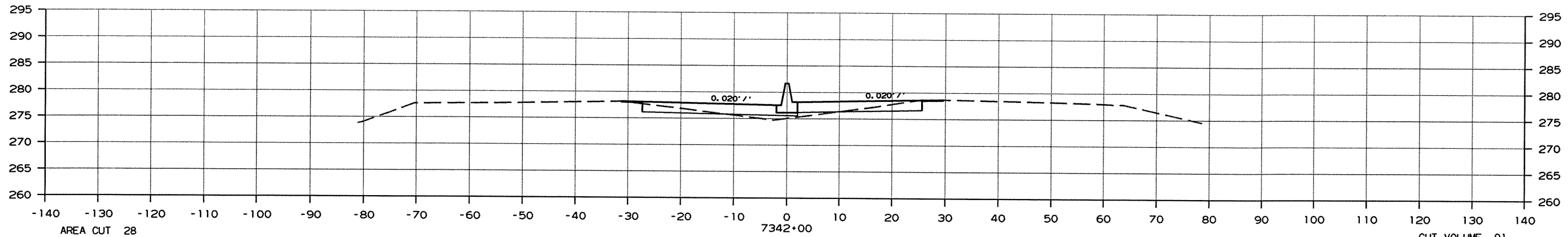


CROSS SECTION STA. 7338+00 TO STA. 7339+00

10/26/2011
FIX.DGN

DATE REVISED	DATE FILMED	DATE REVISED	DATE FILMED	FED. RD. DIST. NO.	STATE	FED. AID PROJ. NO.	SHEET NO.	TOTAL SHEETS
				6	ARK.			
						JOB NO. 080388	389	452

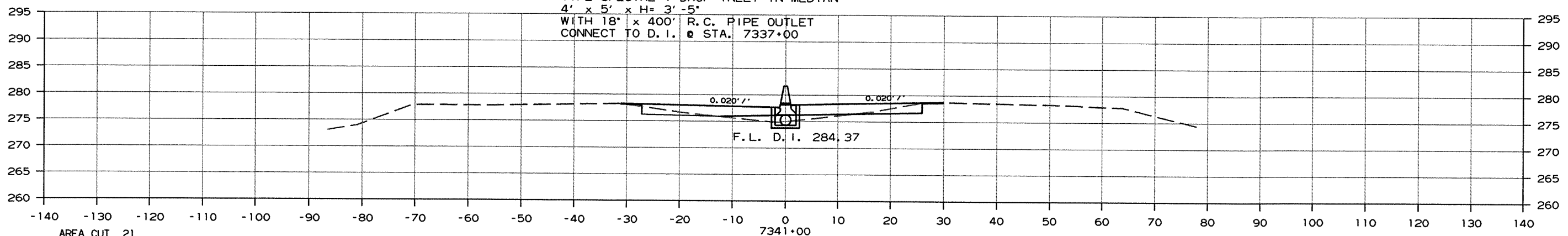
2 CROSS SECTIONS



AREA CUT 28
AREA FILL 11

CUT VOLUME 91
FILL VOLUME 54

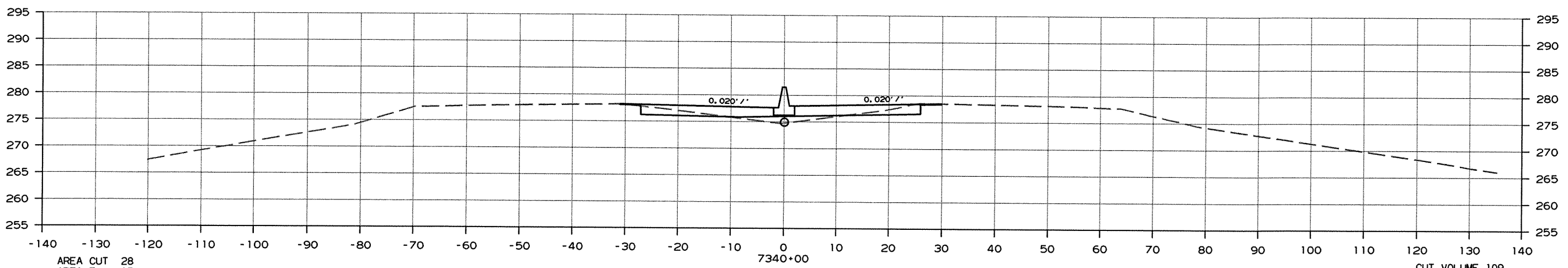
STA. 7341+00 CONSTRUCT
TYPE SPECIAL 1 DROP INLET IN MEDIAN
4' x 5' x H= 3'-5"
WITH 18" x 400' R.C. PIPE OUTLET
CONNECT TO D. I. @ STA. 7337+00



AREA CUT 21
AREA FILL 18

CUT VOLUME 91
FILL VOLUME 61

F.L. D. I. 284.37



AREA CUT 28
AREA FILL 15

CUT VOLUME 109
FILL VOLUME 44

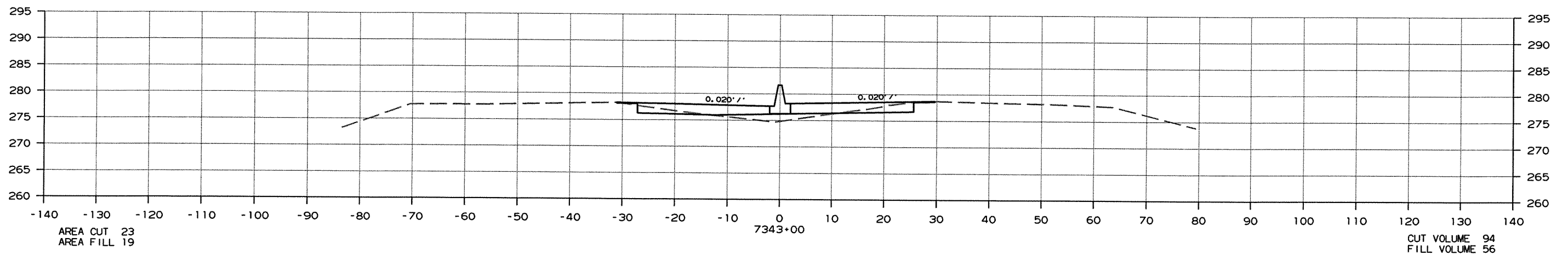
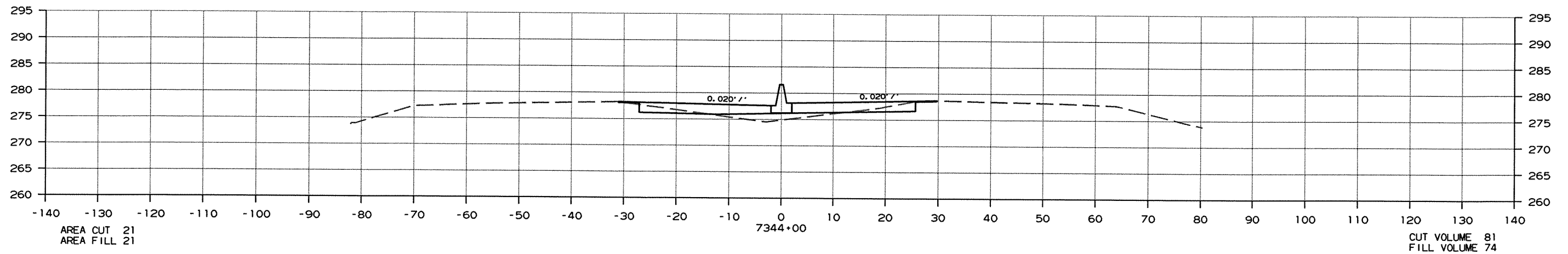
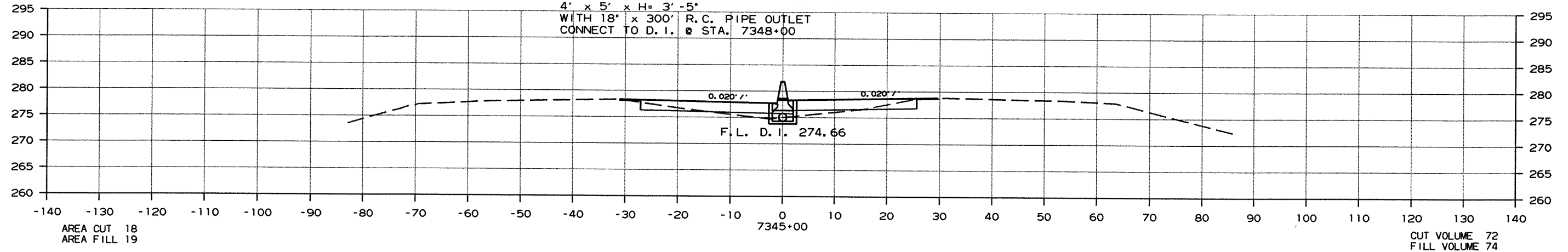
CROSS SECTION STA. 7340+00 TO STA. 7342+00

10/26/2011
FIX.DGN

DATE REVISED	DATE FILMED	DATE REVISED	DATE FILMED	FED. DIST. NO.	STATE	FED. AID PROJ. NO.	SHEET NO.	TOTAL SHEETS
				6	ARK.			
JOB NO. 080388							390	452

② CROSS SECTIONS

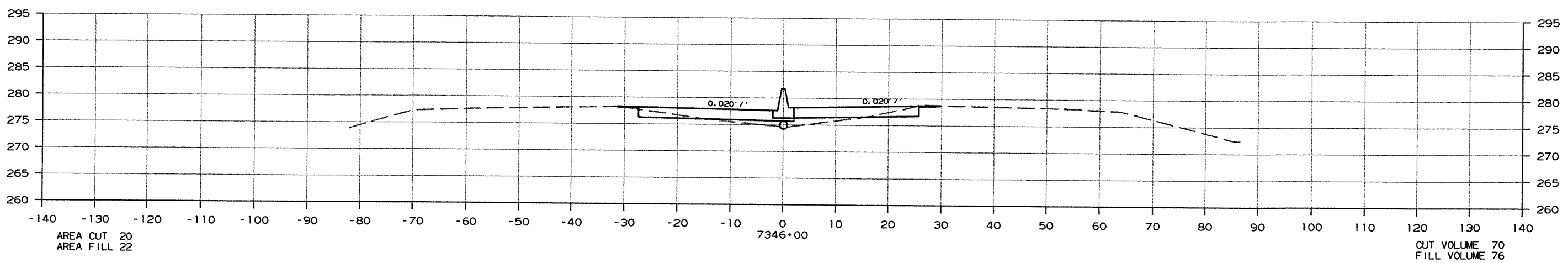
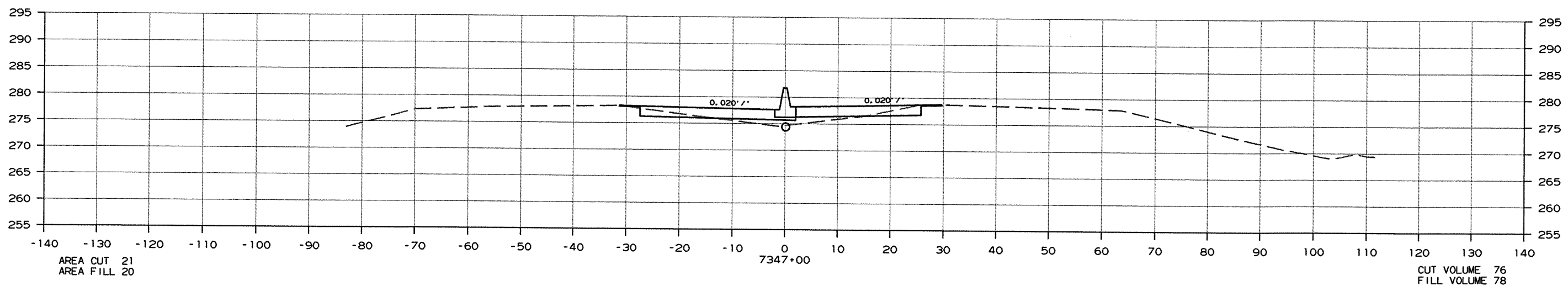
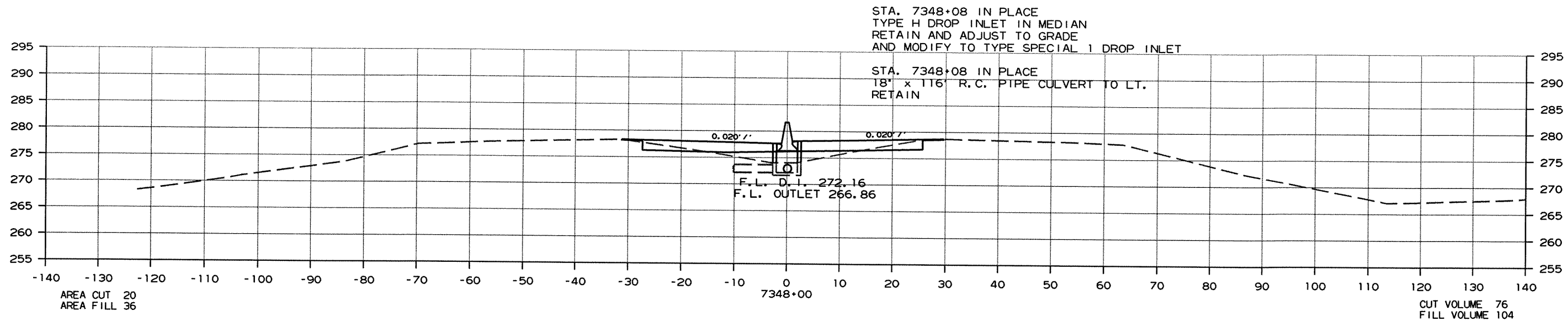
STA. 7345+00 CONSTRUCT
 TYPE SPECIAL 1 DROP INLET IN MEDIAN
 4' x 5' x H= 3'-5"
 WITH 18" x 300' R.C. PIPE OUTLET
 CONNECT TO D. I. @ STA. 7348+00



CROSS SECTION STA. 7343+00 TO STA. 7345+00

DATE REVISED	DATE FILED	DATE REVISED	DATE FILED	FED. RD. DIST. NO.	STATE	FED. AID PROJ. NO.	SHEET NO.	TOTAL SHEETS
				6	ARK.			
						JOB NO. 080388	391	452

② CROSS SECTIONS

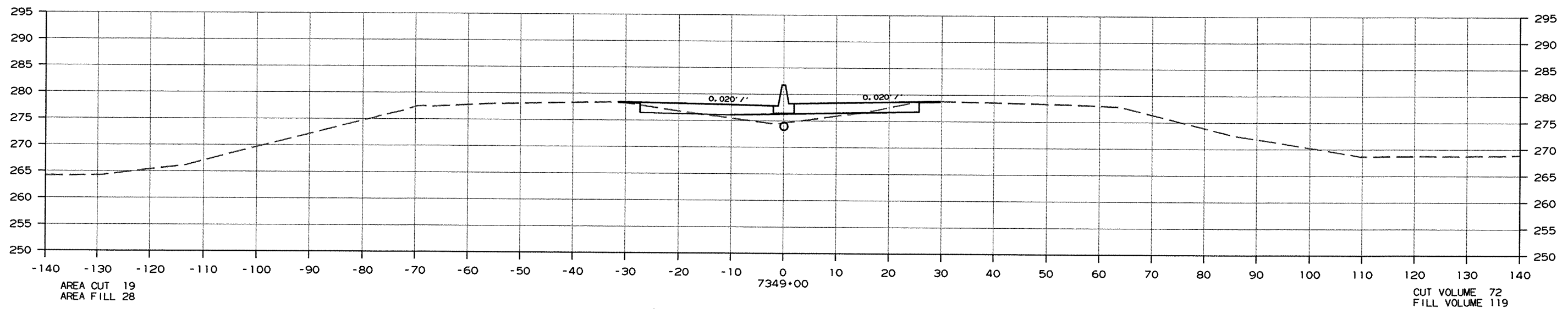
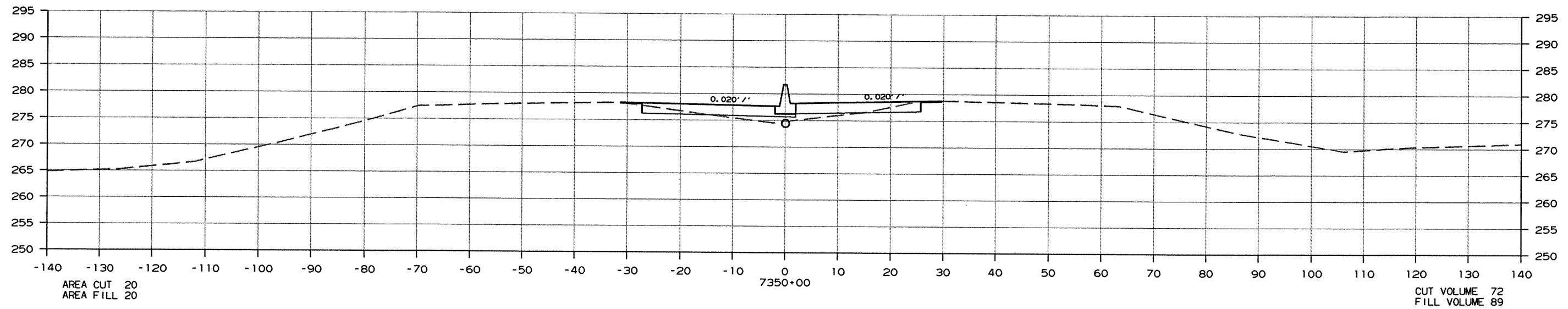


CROSS SECTION STA. 7346+00 TO STA. 7348+00

10/26/2011
FIX.DGN

DATE REVISED	DATE FILMED	DATE REVISED	DATE FILMED	FED. RD. DIST. NO.	STATE	FED. AID PROJ. NO.	SHEET NO.	TOTAL SHEETS
				6	ARK.			
JOB NO.						080388	392	452

② CROSS SECTIONS

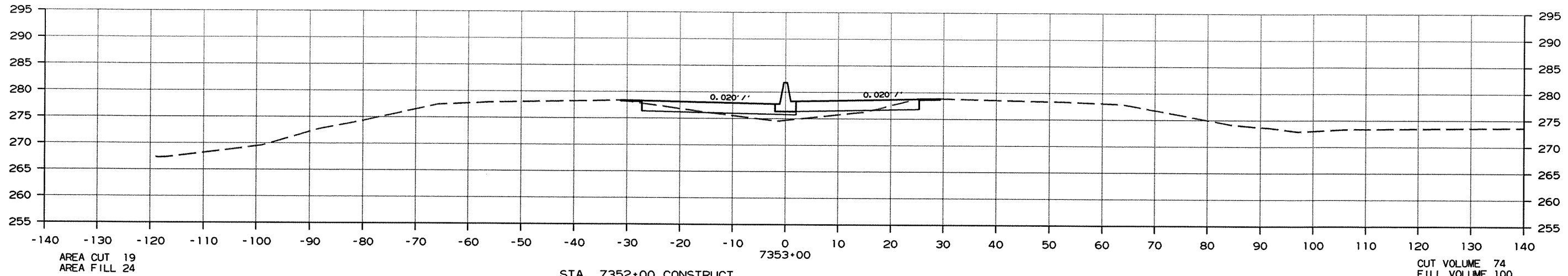


CROSS SECTION STA. 7349+00 TO STA. 7350+00

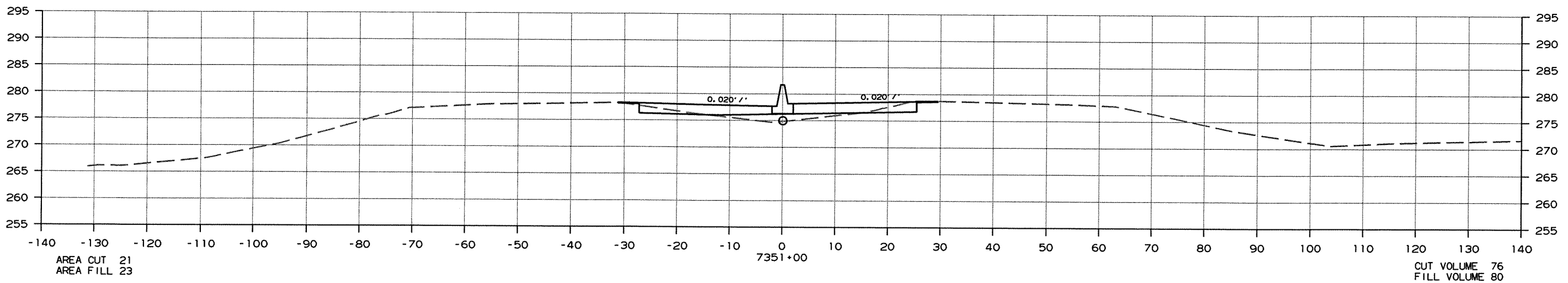
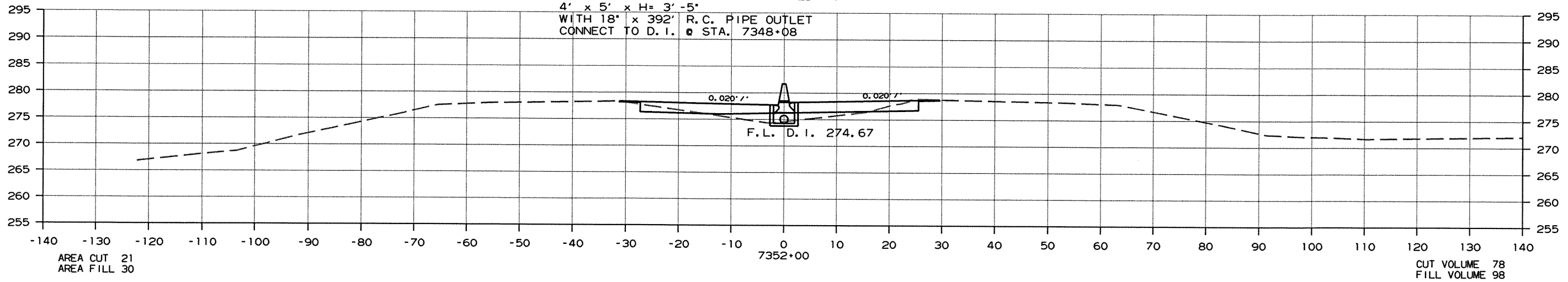
FIX.DGN 10/26/2011

DATE REVISED	DATE FILMED	DATE REVISED	DATE FILMED	FED. RD. DIST. NO.	STATE	FED. AID PROJ. NO.	SHEET NO.	TOTAL SHEETS
				6	ARK.			
				JOB NO.	080388		393	452

② CROSS SECTIONS



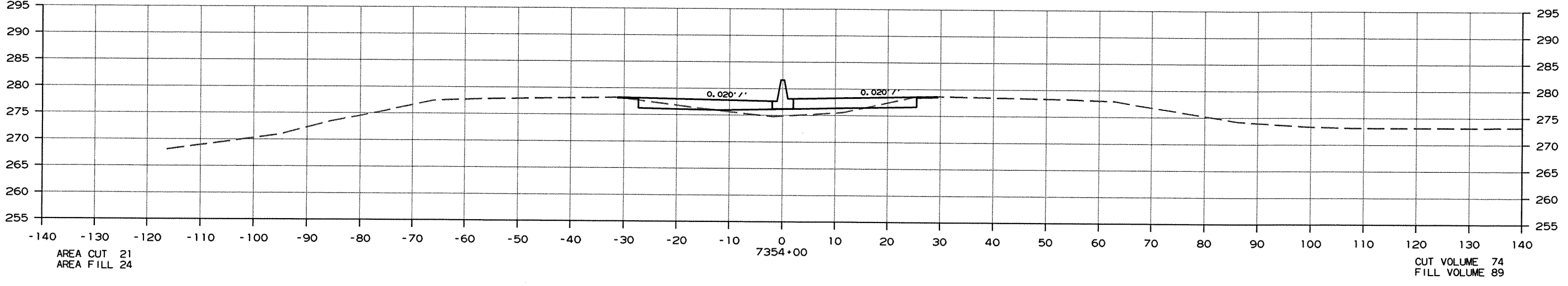
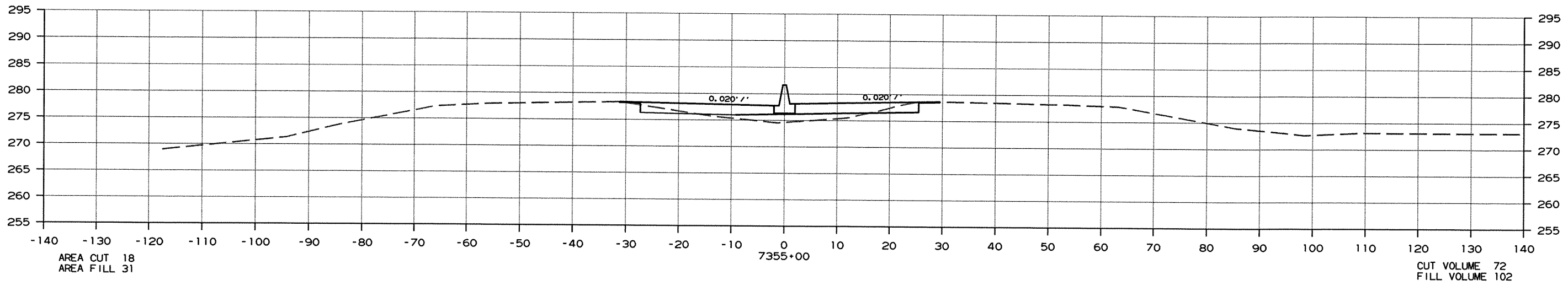
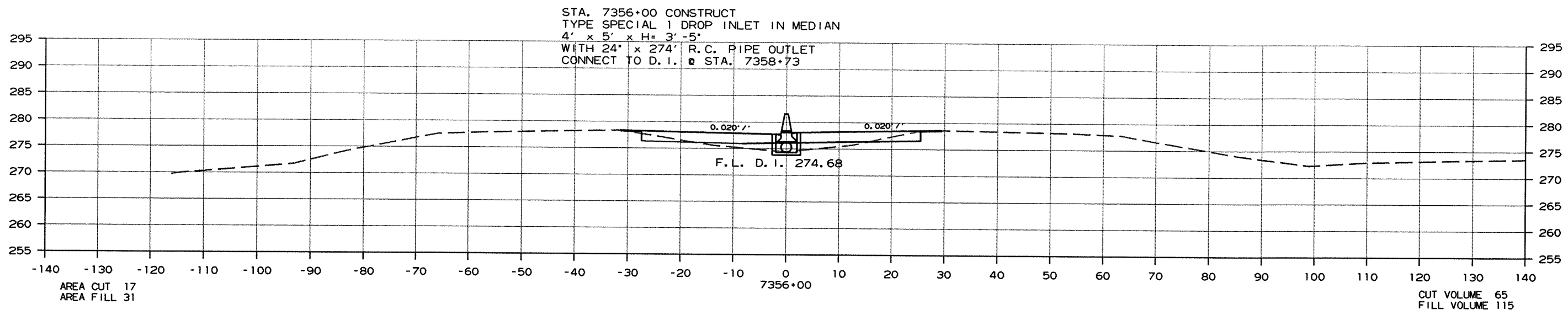
STA. 7352+00 CONSTRUCT
TYPE SPECIAL 1 DROP INLET IN MEDIAN
4' x 5' x H= 3' -5"
WITH 18" x 392' R.C. PIPE OUTLET
CONNECT TO D. I. @ STA. 7348+08



CROSS SECTION STA. 7351+00 TO STA. 7353+00

DATE REVISED	DATE FILMED	DATE REVISED	DATE FILMED	FED. RD. DIST. NO.	STATE	FED. AID PROJ. NO.	SHEET NO.	TOTAL SHEETS
				6	ARK.			
						JOB NO. 080388	394	452

② CROSS SECTIONS

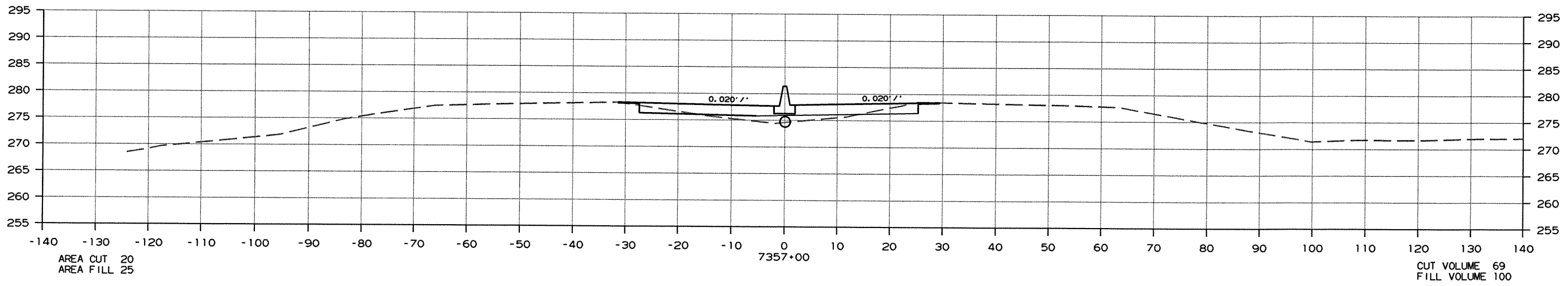
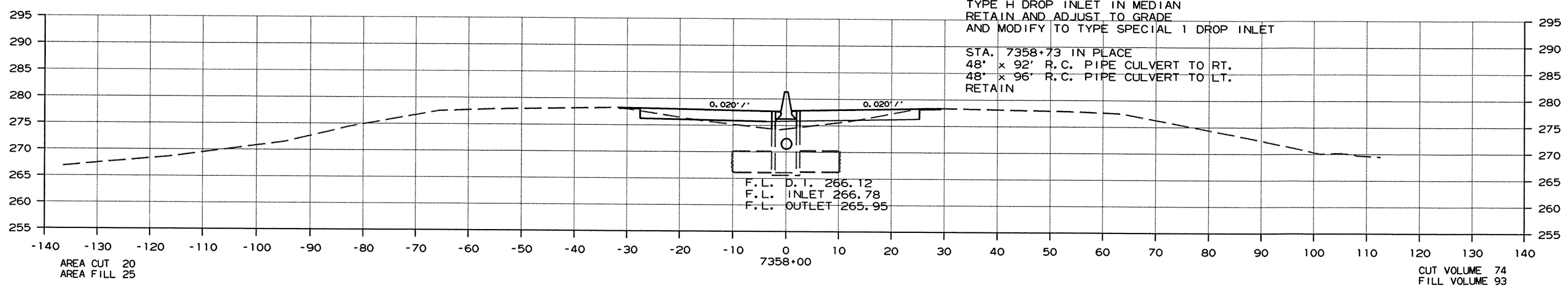
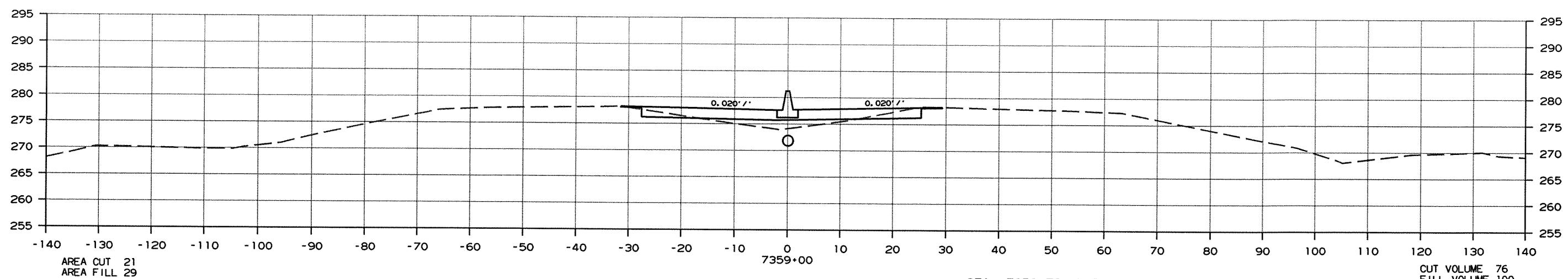


CROSS SECTION STA. 7354+00 TO STA. 7356+00

10/26/2011
FIX.DGN

DATE REVISED	DATE FILMED	DATE REVISED	DATE FILMED	FED. RD. DIST. NO.	STATE	FED. AID PROJ. NO.	SHEET NO.	TOTAL SHEETS
				6	ARK.			
						JOB NO. 080388	395	452

② CROSS SECTIONS

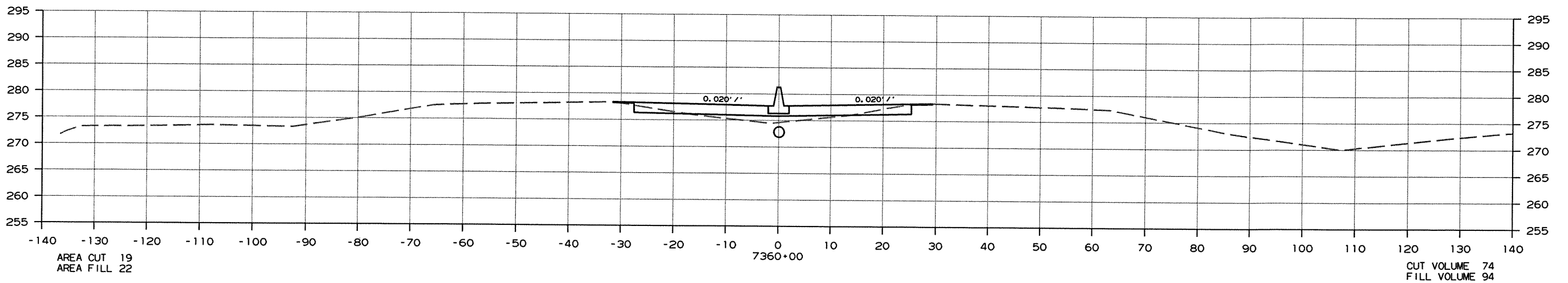
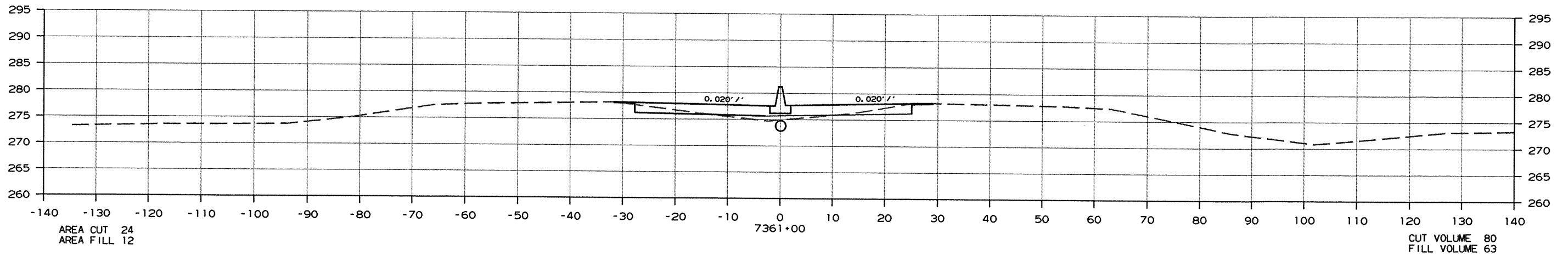
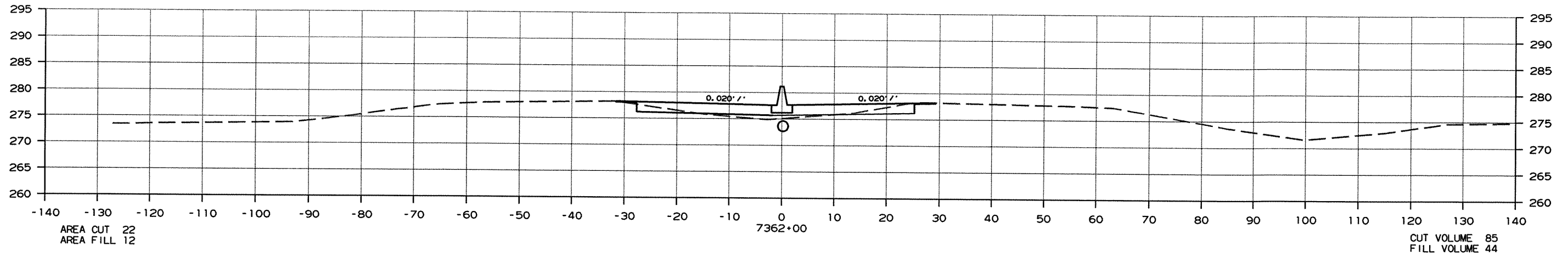


CROSS SECTION STA. 7357+00 TO STA. 7359+00

10/26/2011
FIX.DGN

DATE REVISED	DATE FILMED	DATE REVISED	DATE FILMED	FED. RD. DIST. NO.	STATE	FED. AID PROJ. NO.	SHEET NO.	TOTAL SHEETS
				6	ARK.			
				JOB NO.	080388		396	452

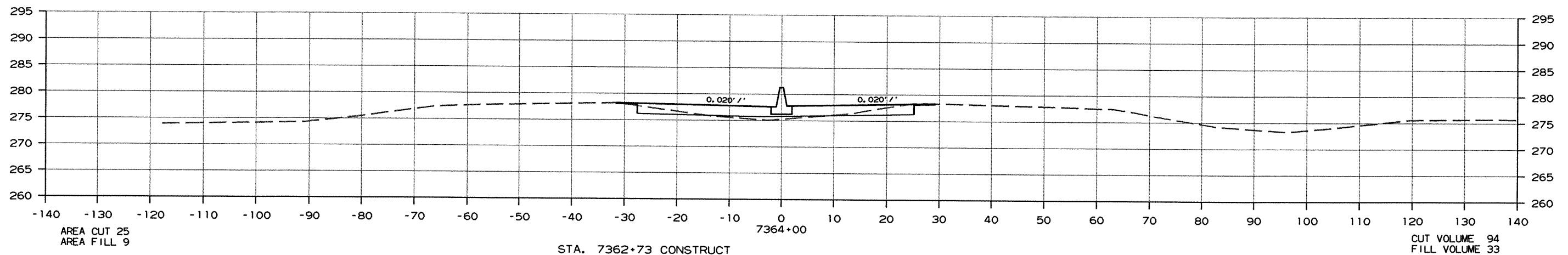
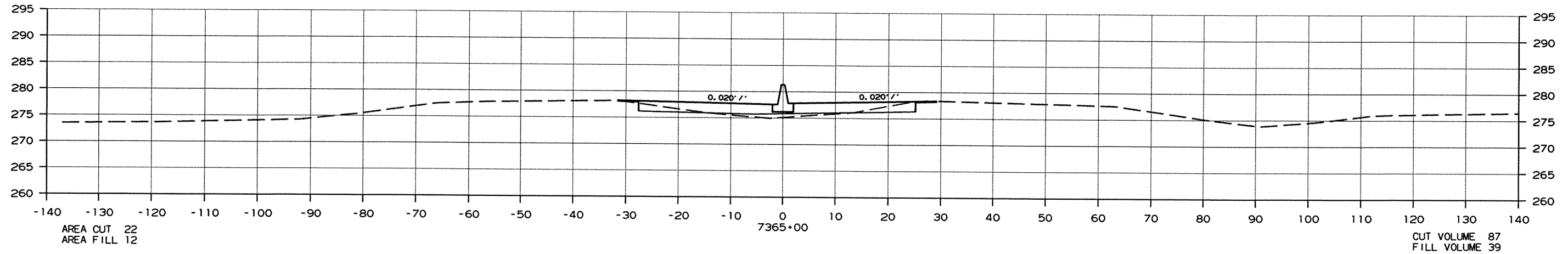
② CROSS SECTIONS



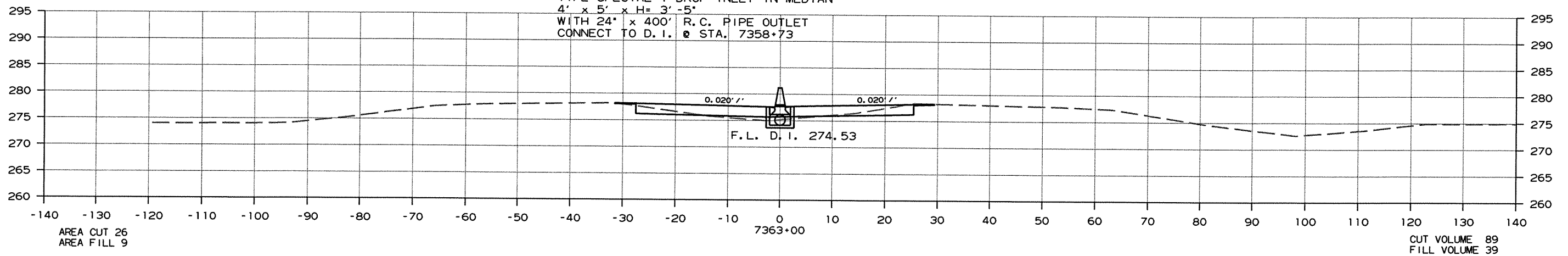
CROSS SECTION STA. 7360+00 TO STA. 7362+00

DATE REVISED	DATE FILMED	DATE REVISED	DATE FILMED	FED. RD. DIST. NO.	STATE	FED. AID PROJ. NO.	SHEET NO.	TOTAL SHEETS
				6	ARK.			
				JOB NO.	080388		397	452

② CROSS SECTIONS



STA. 7362+73 CONSTRUCT
TYPE SPECIAL 1 DROP INLET IN MEDIAN
4' x 5' x H= 3'-5"
WITH 24" x 400' R.C. PIPE OUTLET
CONNECT TO D. I. @ STA. 7358+73

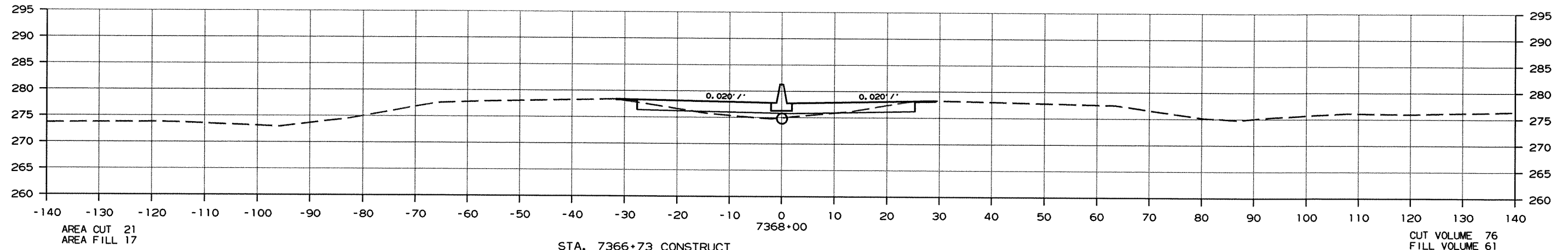


CROSS SECTION STA. 7363+00 TO STA. 7365+00

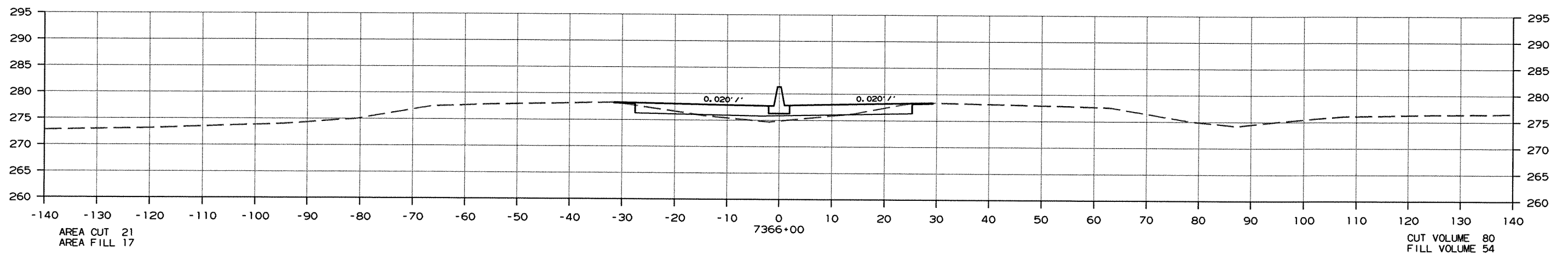
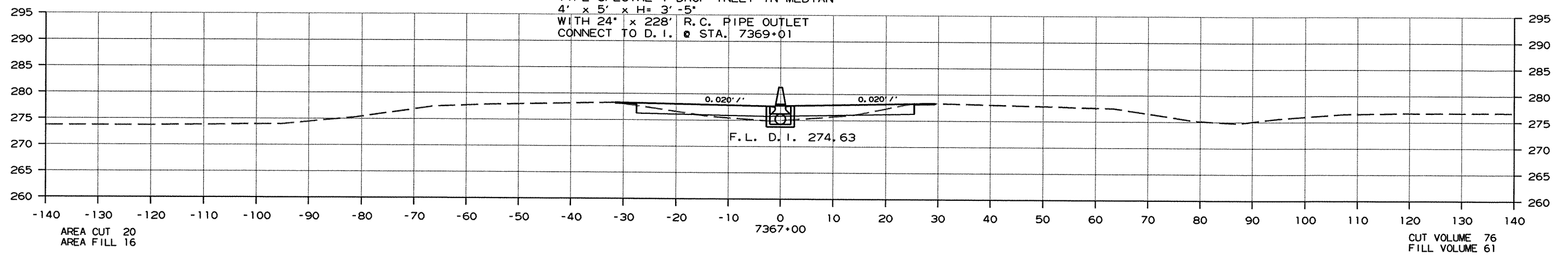
10/26/2011
FIX.DGN

DATE REVISED	DATE FILMED	DATE REVISED	DATE FILMED	FED. RD. DIST. NO.	STATE	FED. AID PROJ. NO.	SHEET NO.	TOTAL SHEETS
				6	ARK.			
						JOB NO. 080388	398	452

2 CROSS SECTIONS



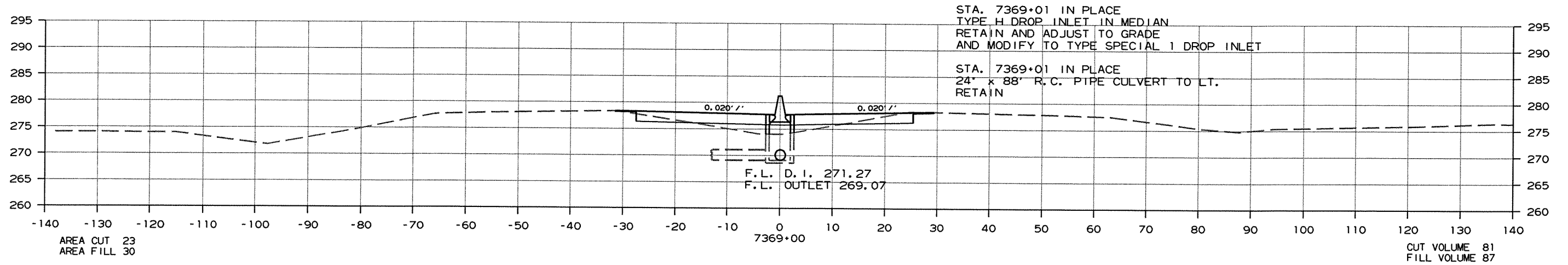
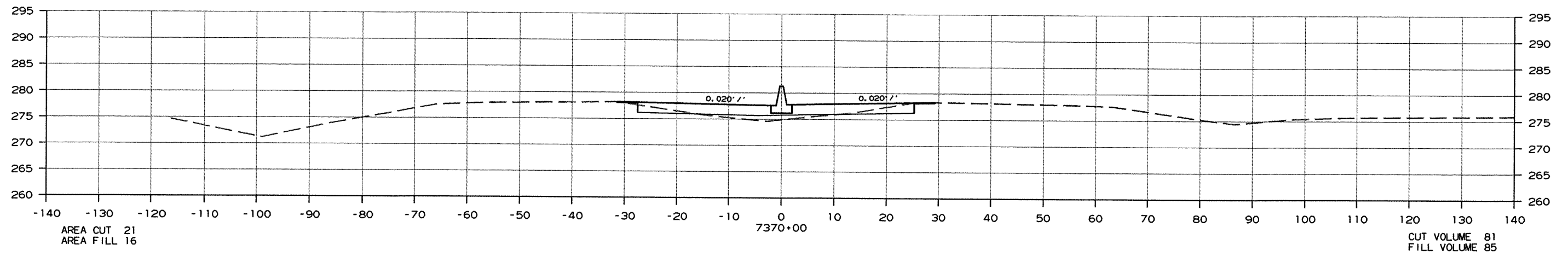
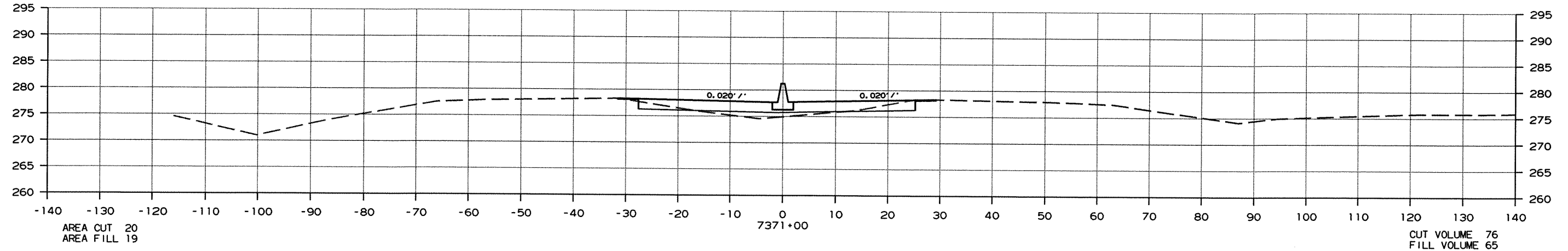
STA. 7366+73 CONSTRUCT
TYPE SPECIAL 1 DROP INLET IN MEDIAN
4' x 5' x H= 3'-5"
WITH 24" x 228' R.C. PIPE OUTLET
CONNECT TO D. I. @ STA. 7369+01



CROSS SECTION STA. 7366+00 TO STA. 7368+00

DATE REVISED	DATE FILMED	DATE REVISED	DATE FILMED	FED. RD. DIST. NO.	STATE	FED. AID PROJ. NO.	SHEET NO.	TOTAL SHEETS
				6	ARK.			
				JOB NO.	080388		399	452

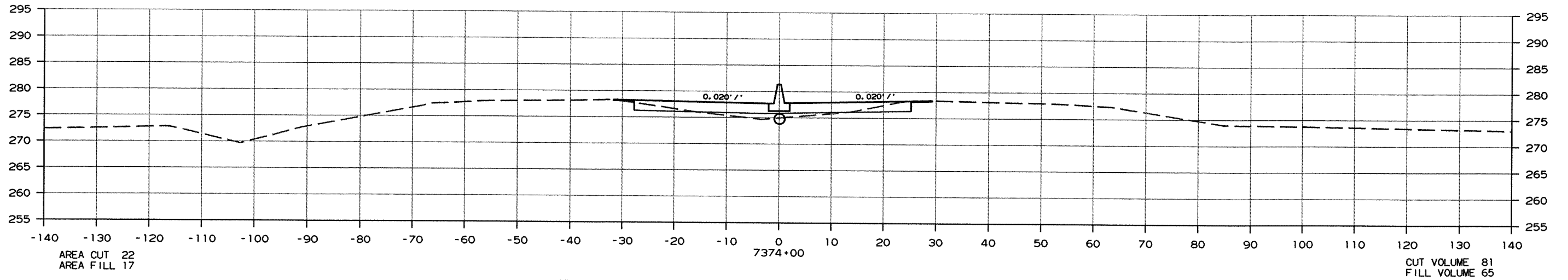
② CROSS SECTIONS



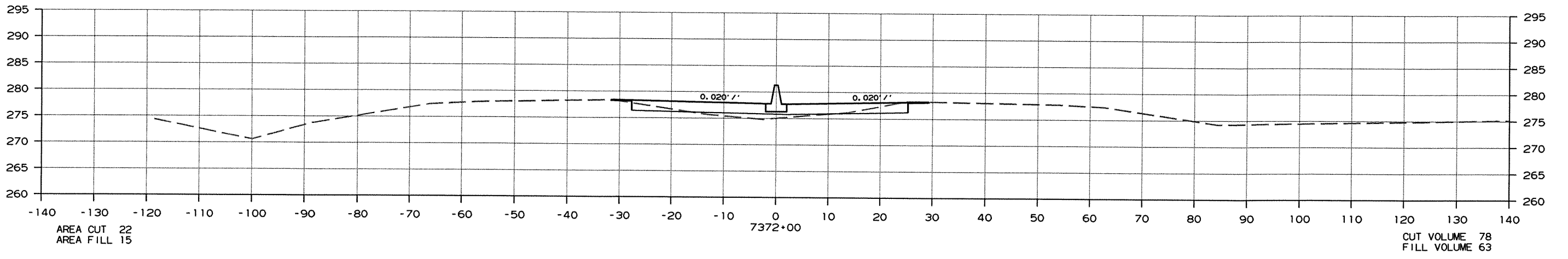
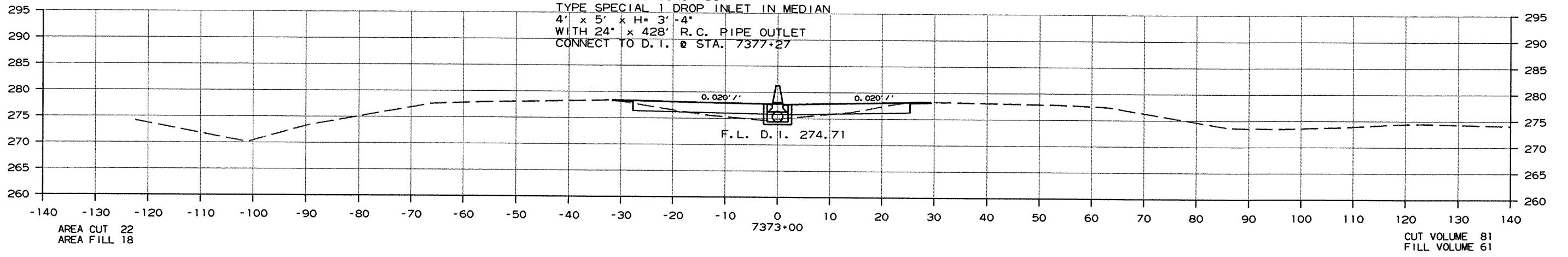
CROSS SECTION STA. 7369+00 TO STA. 7371+00

DATE REVISED	DATE FILMED	DATE REVISED	DATE FILMED	FED. RD. DIST. NO.	STATE	FED. AID PROJ. NO.	SHEET NO.	TOTAL SHEETS
				6	ARK.			
JOB NO.						080388	400	452

2 CROSS SECTIONS



STA. 7373+00 CONSTRUCT
TYPE SPECIAL 1 DROP INLET IN MEDIAN
4' x 5' x H= 3' -4"
WITH 24" x 428' R.C. PIPE OUTLET
CONNECT TO D. I. @ STA. 7377+27

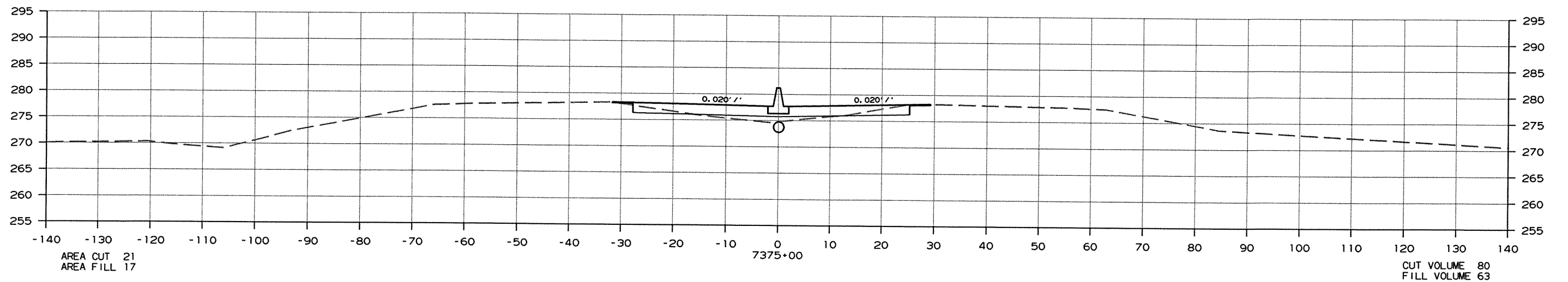
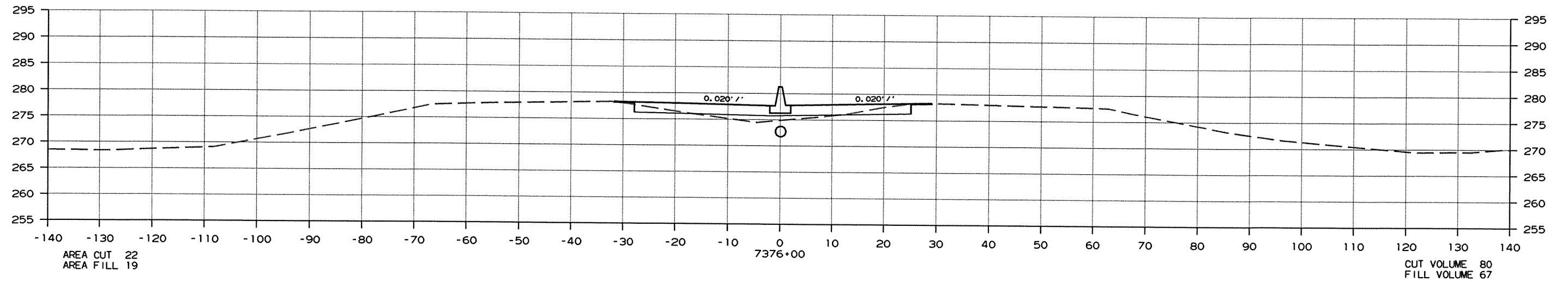
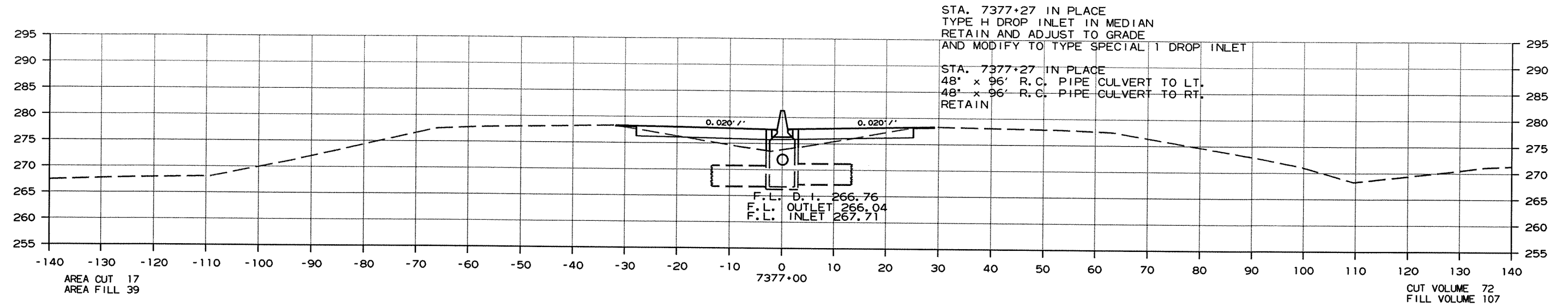


CROSS SECTION STA. 7372+00 TO STA. 7374+00

10/26/2011
FIX.DGN

DATE REVISED	DATE FILMED	DATE REVISED	DATE FILMED	FED. DIST. NO.	STATE	FED. AID PROJ. NO.	SHEET NO.	TOTAL SHEETS
				6	ARK.			
						JOB NO. 080388	401	452

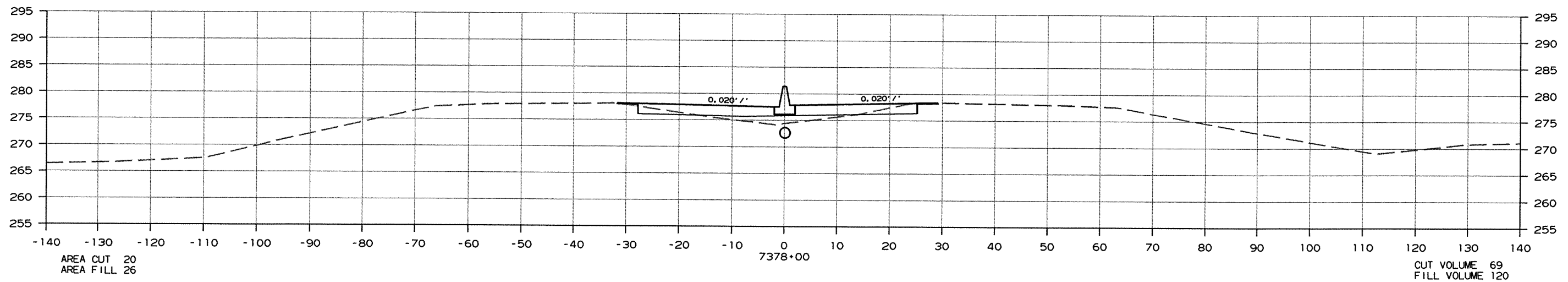
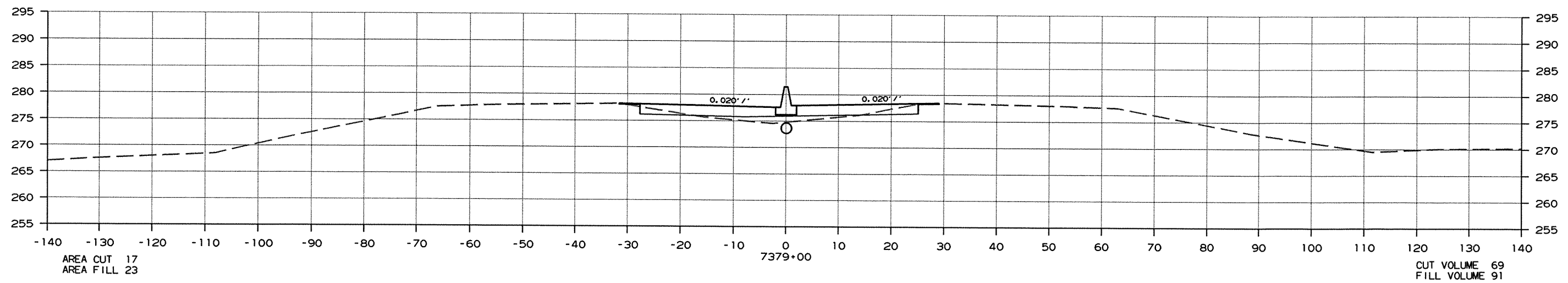
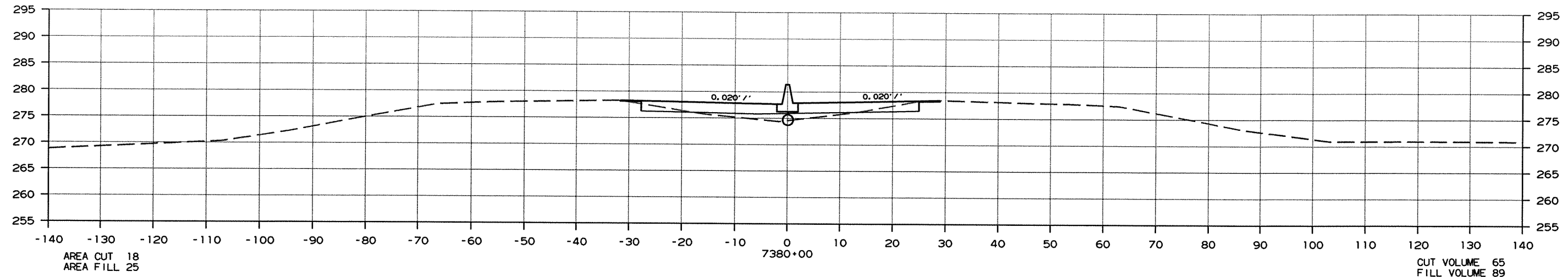
2 CROSS SECTIONS



CROSS SECTION STA. 7375+00 TO STA. 7377+00

DATE REVISED	DATE FILMED	DATE REVISED	DATE FILMED	FED. RD. DIST. NO.	STATE	FED. AID PROJ. NO.	SHEET NO.	TOTAL SHEETS
				6	ARK.			
				JOB NO.	080388		402	452

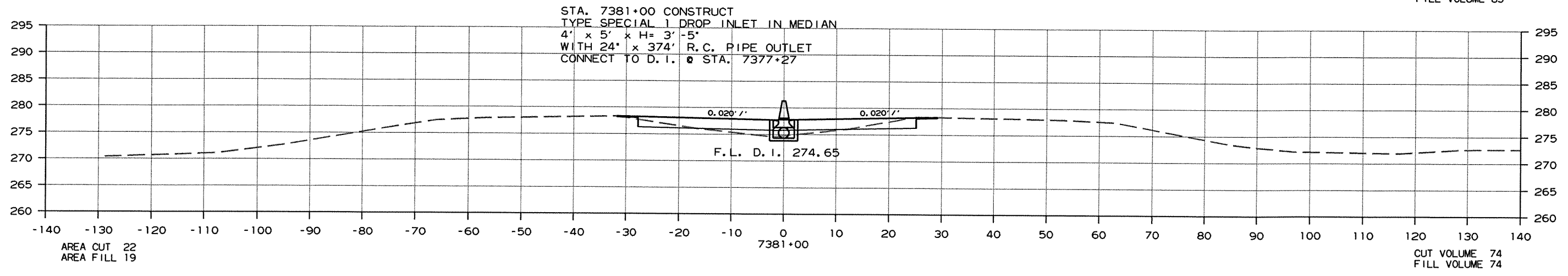
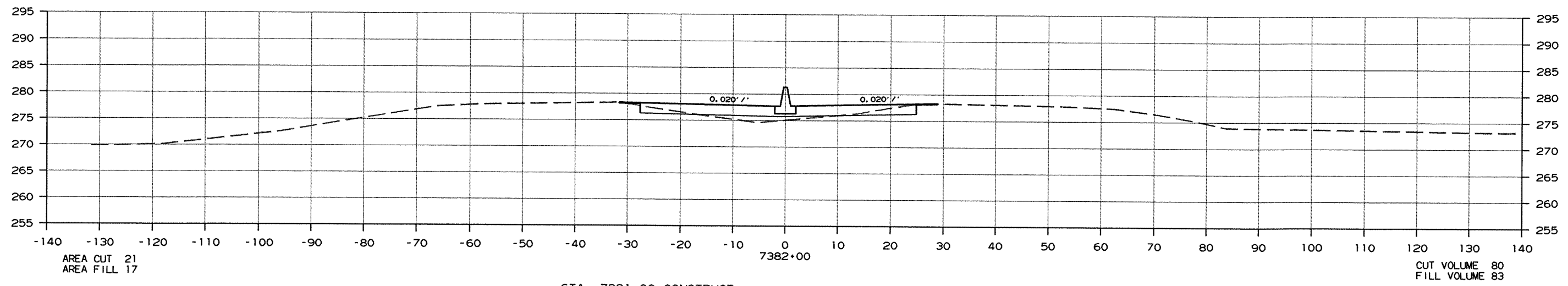
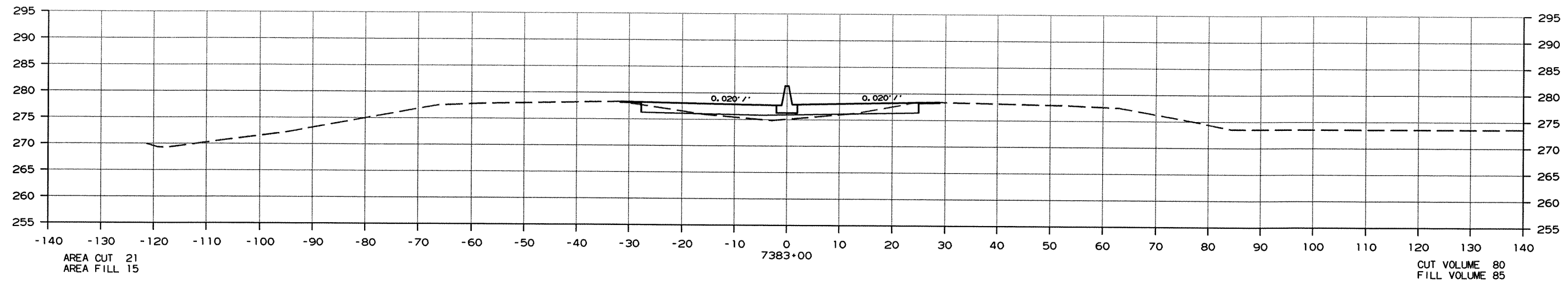
② CROSS SECTIONS



CROSS SECTION STA. 7378+00 TO STA. 7380+00

DATE REVISED	DATE FILMED	DATE REVISED	DATE FILMED	FED. RD. DIST. NO.	STATE	FED. AID PROJ. NO.	SHEET NO.	TOTAL SHEETS
				6	ARK.			
				JOB NO.	080388		403	452

2 CROSS SECTIONS

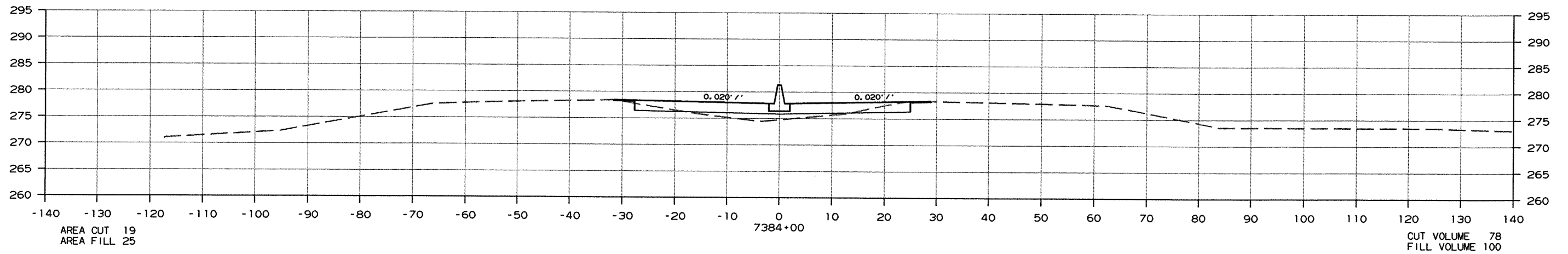
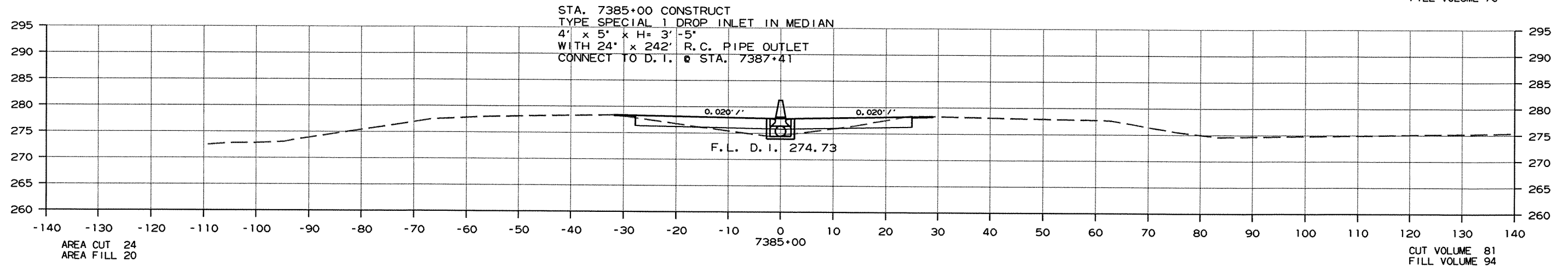
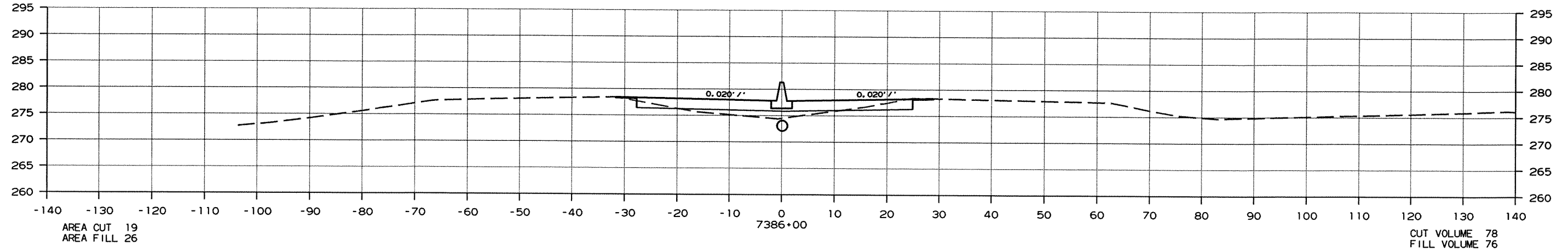


CROSS SECTION STA. 7381+00 TO STA. 7383+00

10/26/2011
FIX.DCN

DATE REVISED	DATE FILMED	DATE REVISED	DATE FILMED	FED. RD. DIST. NO.	STATE	FED. AID PROJ. NO.	SHEET NO.	TOTAL SHEETS
				6	ARK.			
						JOB NO. 080388	404	452

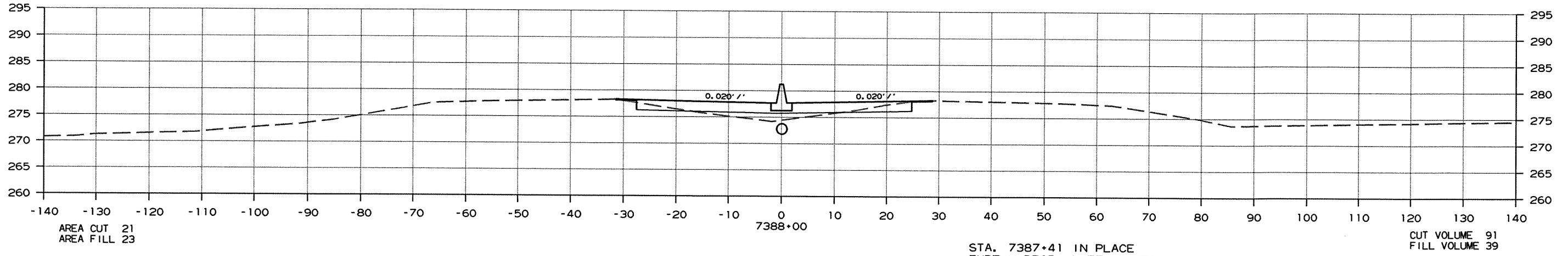
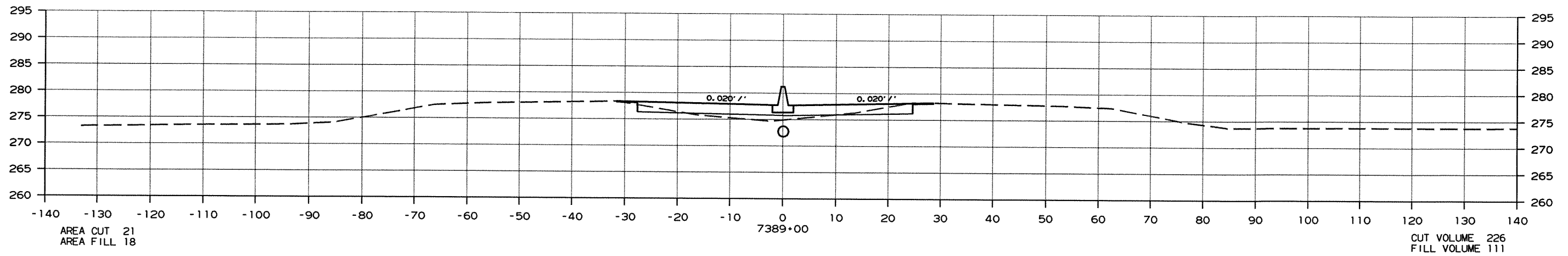
② CROSS SECTIONS



CROSS SECTION STA. 7384+00 TO STA. 7386+00

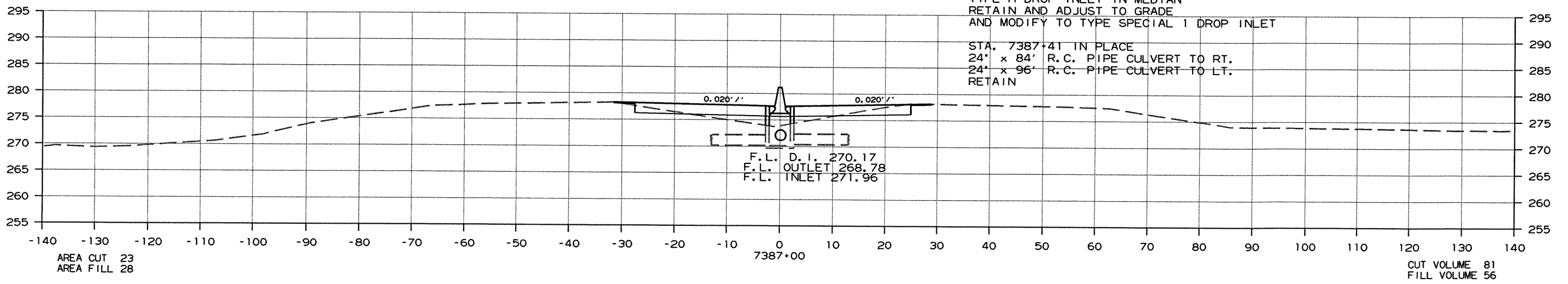
DATE REVISED	DATE FILMED	DATE REVISED	DATE FILMED	FED. RD. DIST. NO.	STATE	FED. AID PROJ. NO.	SHEET NO.	TOTAL SHEETS
				6	ARK.			
						JOB NO. 080388	405	452

② CROSS SECTIONS



STA. 7387+41 IN PLACE
 TYPE H DROP INLET IN MEDIAN
 RETAIN AND ADJUST TO GRADE
 AND MODIFY TO TYPE SPECIAL 1 DROP INLET

STA. 7387+41 IN PLACE
 24' x 84' R.C. PIPE CULVERT TO RT.
 24' x 96' R.C. PIPE CULVERT TO LT.
 RETAIN

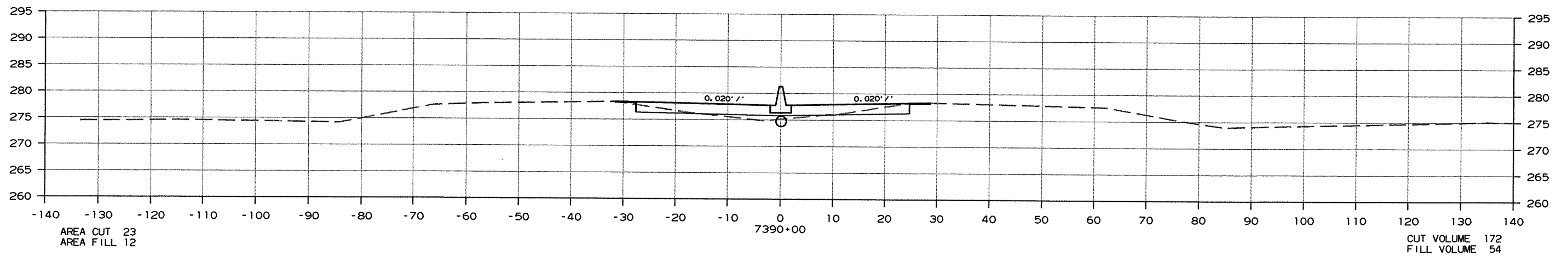
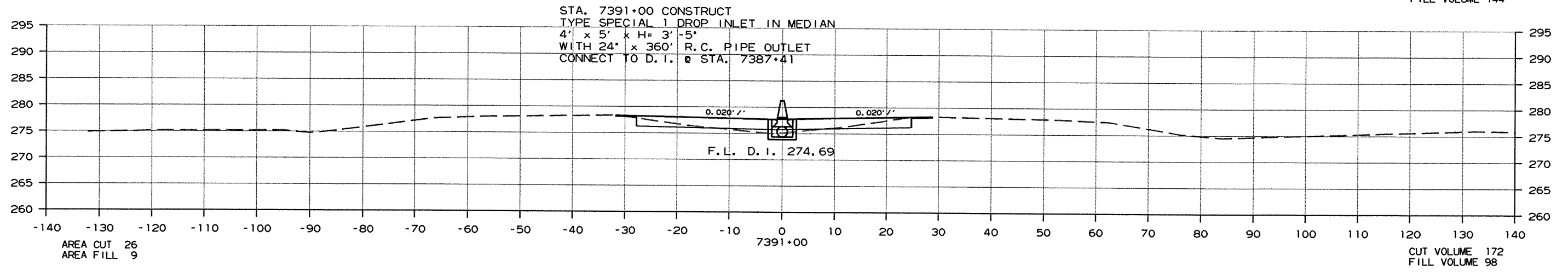
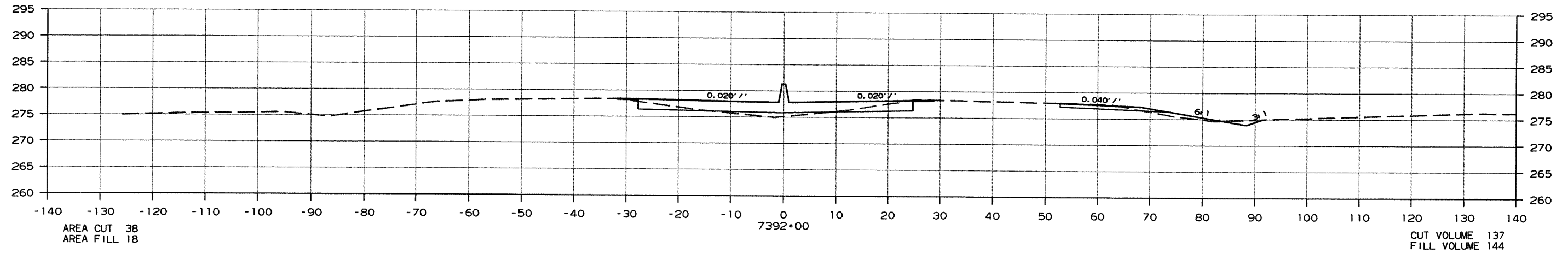


CROSS SECTION STA. 7387+00 TO STA. 7389+00

10/26/2011
FIX.DGN

DATE REVISED	DATE FILMED	DATE REVISED	DATE FILMED	FED. DIST. NO.	STATE	FED. AID PROJ. NO.	SHEET NO.	TOTAL SHEETS
				6	ARK.			
JOB NO.						080388	406	452

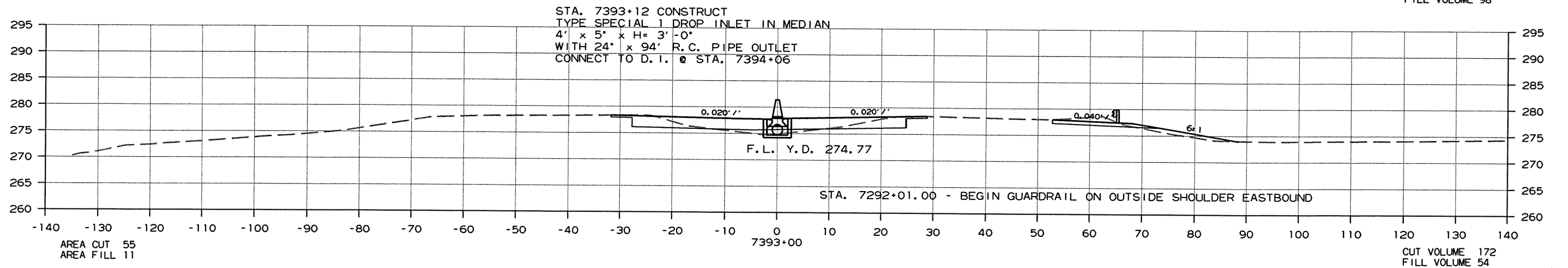
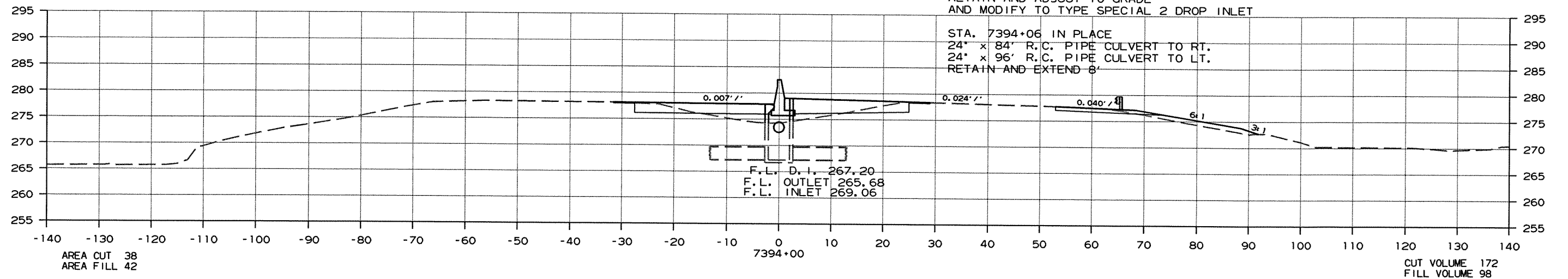
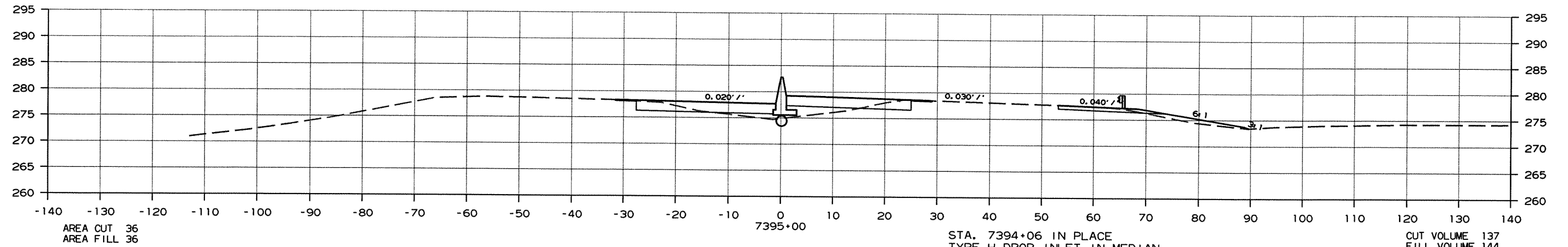
2 CROSS SECTIONS



CROSS SECTION STA. 7390+00 TO STA. 7392+00

DATE REVISED	DATE FILMED	DATE REVISED	DATE FILMED	FED. RD. DIST. NO.	STATE	FED. AID PROJ. NO.	SHEET NO.	TOTAL SHEETS
				6	ARK.			
						JOB NO. 080388	407	452

2 CROSS SECTIONS

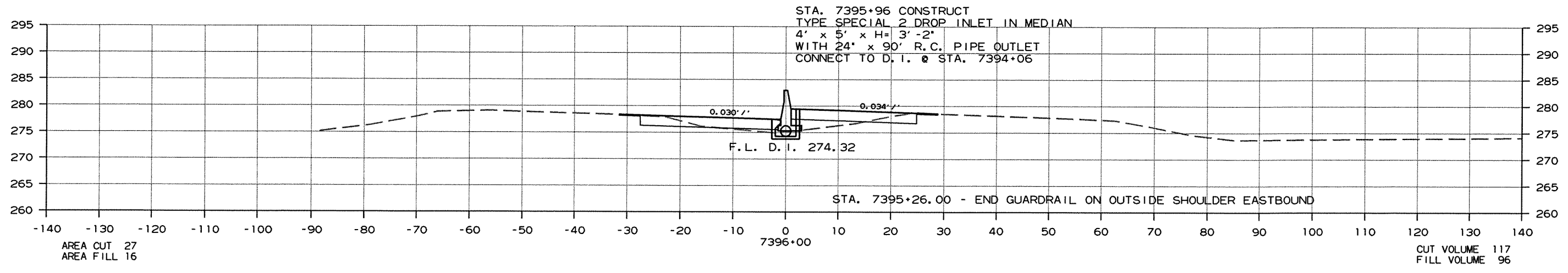
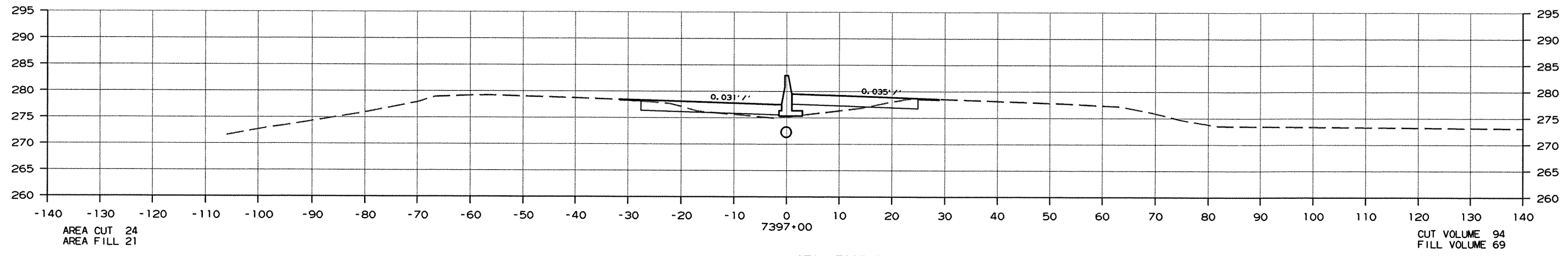
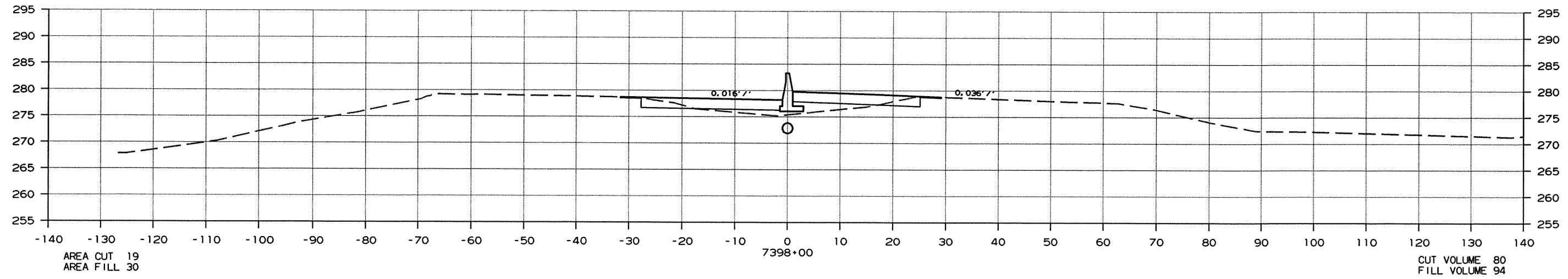


CROSS SECTION STA. 7393+00 TO STA. 7395+00

10/26/2011
FIX.DGN

DATE REVISED	DATE FILMED	DATE REVISED	DATE FILMED	FED. RD. DIST. NO.	STATE	FED. AID PROJ. NO.	SHEET NO.	TOTAL SHEETS
				6	ARK.			
				JOB NO.	080388		408	452

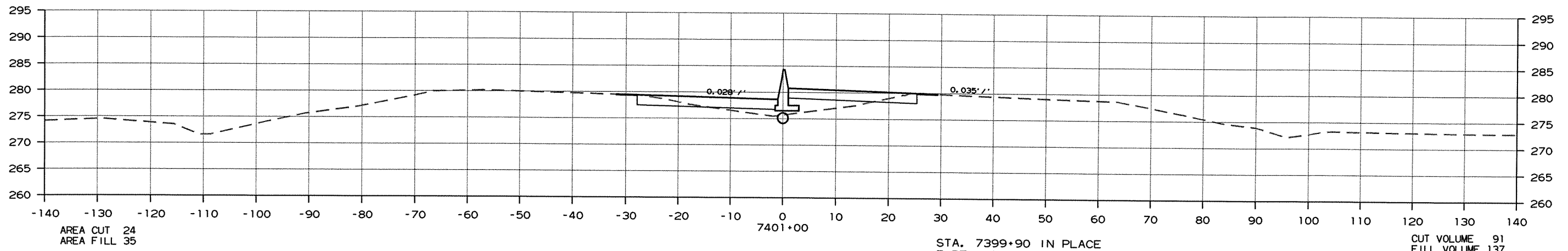
② CROSS SECTIONS



CROSS SECTION STA. 7396+00 TO STA. 7398+00

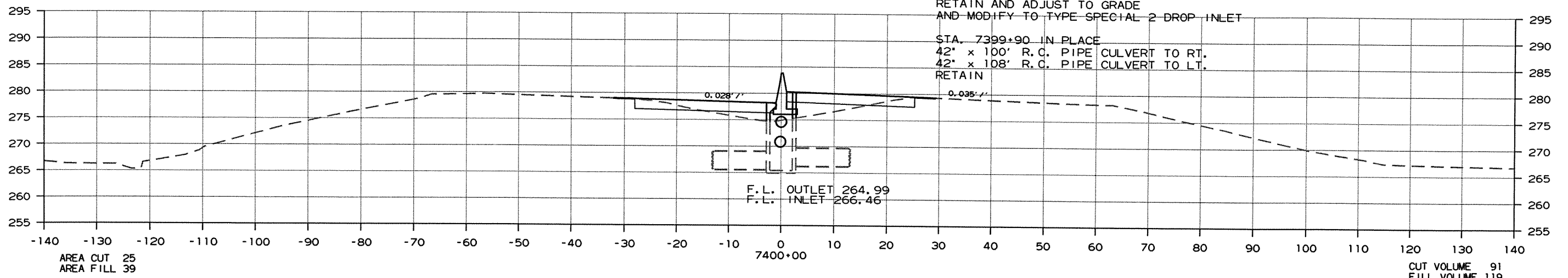
DATE REVISED	DATE FILMED	DATE REVISED	DATE FILMED	FED. DIST. NO.	STATE	FED. AID PROJ. NO.	SHEET NO.	TOTAL SHEETS
				6	ARK.			
						JOB NO. 080388	409	452

2 CROSS SECTIONS



STA. 7399+90 IN PLACE
TYPE H DROP INLET IN MEDIAN
RETAIN AND ADJUST TO GRADE
AND MODIFY TO TYPE SPECIAL 2-DROP INLET

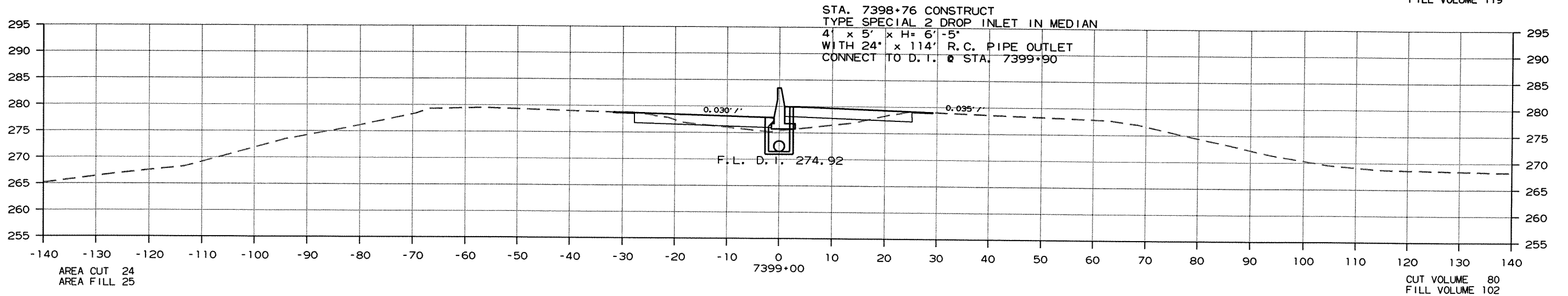
CUT VOLUME 91
FILL VOLUME 137



STA. 7399+90 IN PLACE
42' x 100' R.C. PIPE CULVERT TO RT.
42' x 108' R.C. PIPE CULVERT TO LT.
RETAIN

F.L. OUTLET 264.99
F.L. INLET 266.46

CUT VOLUME 91
FILL VOLUME 119



STA. 7398+76 CONSTRUCT
TYPE SPECIAL 2 DROP INLET IN MEDIAN
4' x 5' x H= 6'-5"
WITH 24' x 114' R.C. PIPE OUTLET
CONNECT TO D.I. @ STA. 7399+90

F.L. D.I. 274.92

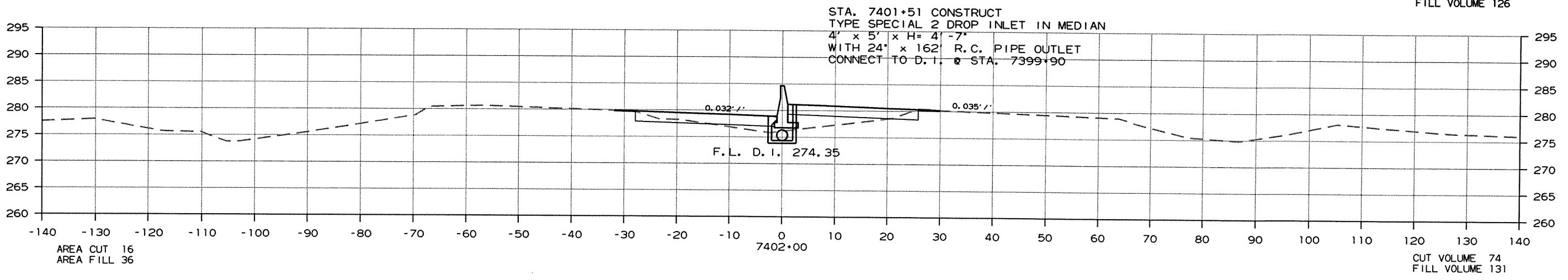
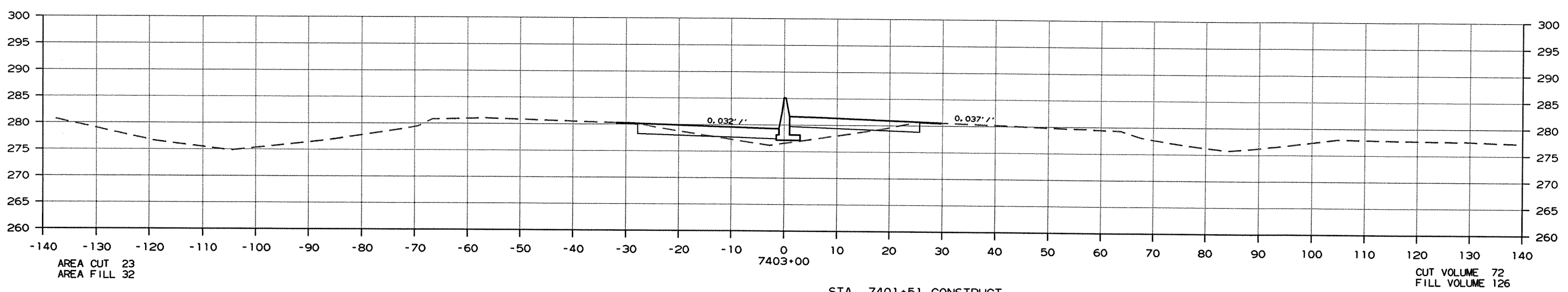
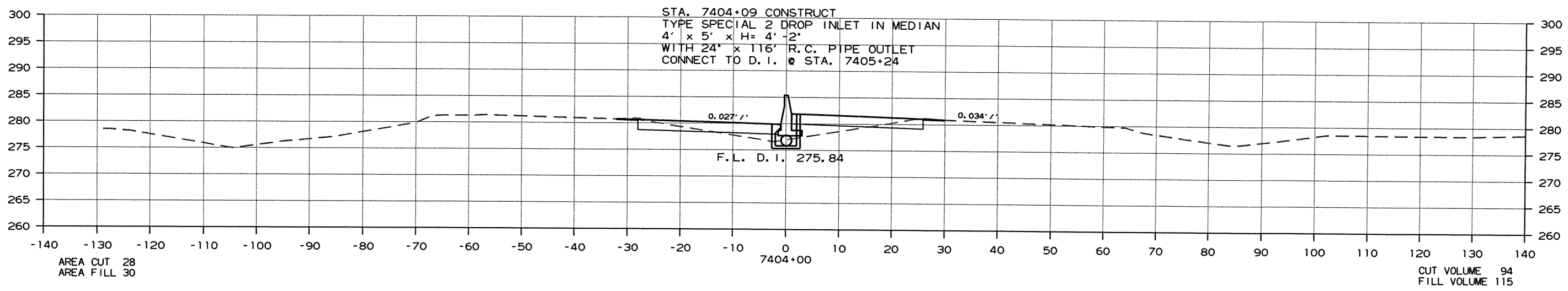
CUT VOLUME 80
FILL VOLUME 102

CROSS SECTION STA. 7399+00 TO STA. 7401+00

RO80388.DGN 10/27/2011

DATE REVISED	DATE FILMED	DATE REVISED	DATE FILMED	FED. RD. DIST. NO.	STATE	FED. AID PROJ. NO.	SHEET NO.	TOTAL SHEETS
				6	ARK.			
						JOB NO. 080388	410	452

2 CROSS SECTIONS

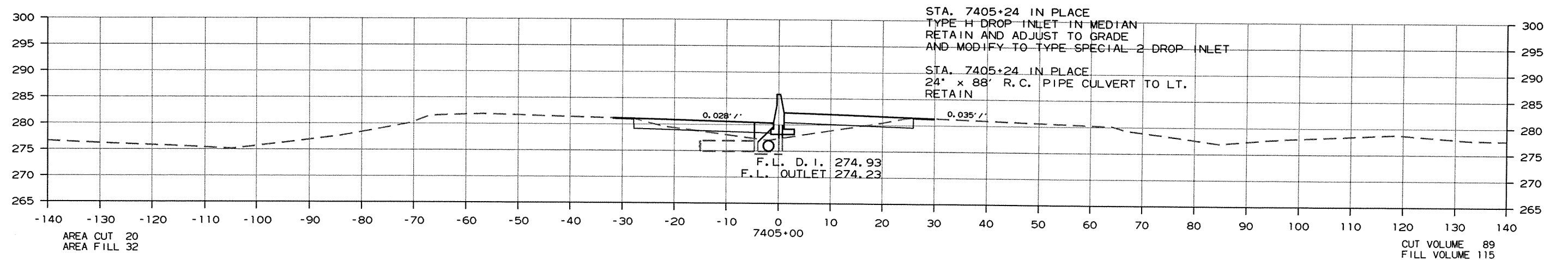
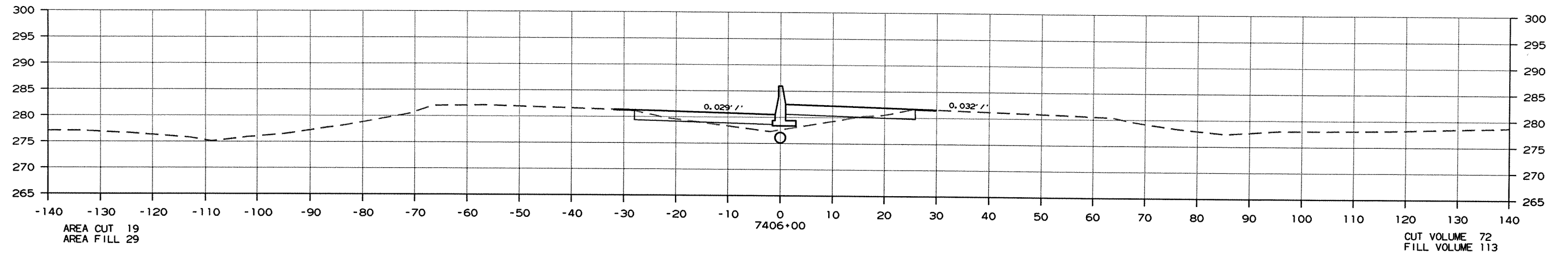
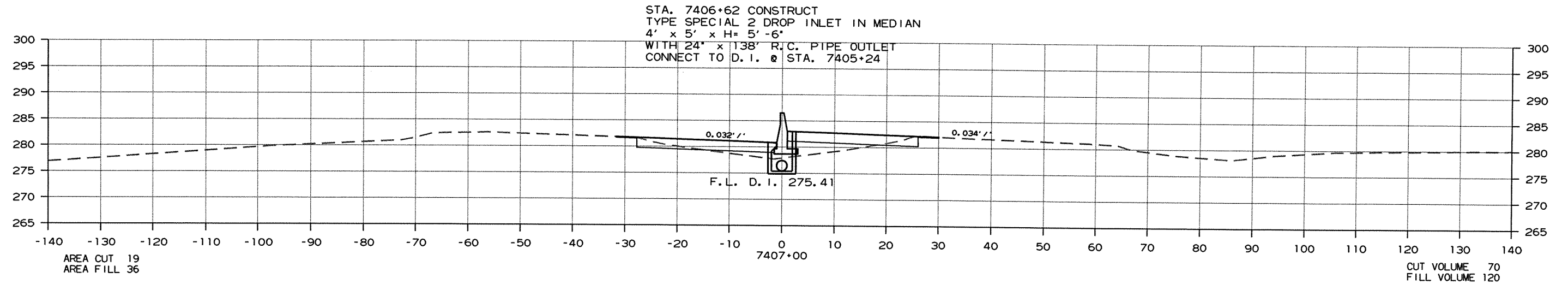


CROSS SECTION STA. 7402+00 TO STA. 7404+00

RO80388.DGN 10/27/2011

DATE REVISED	DATE FILMED	DATE REVISED	DATE FILMED	FED. RD. DIST. NO.	STATE	FED. AID PROJ. NO.	SHEET NO.	TOTAL SHEETS
				6	ARK.			
						JOB NO. 080388	411	452

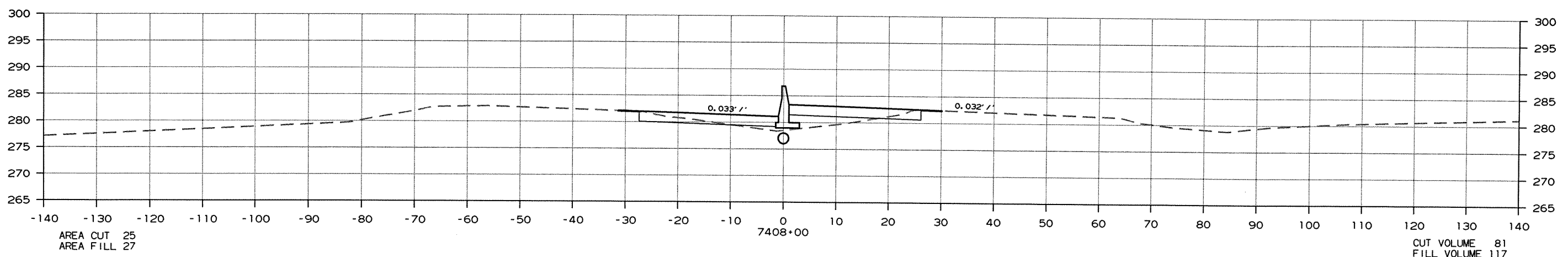
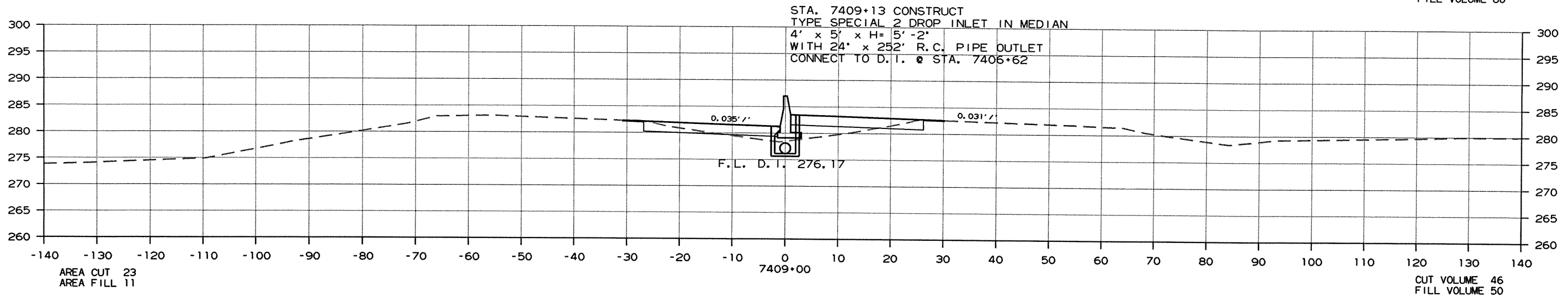
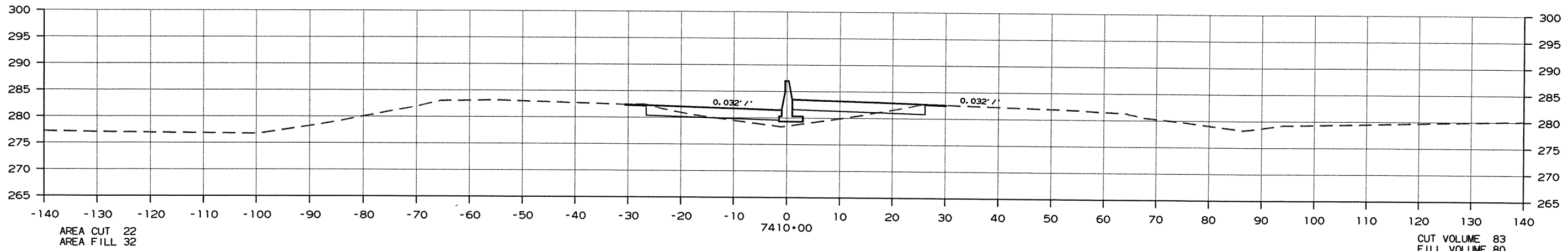
② CROSS SECTIONS



CROSS SECTION STA. 7405+00 TO STA. 7407+00

DATE REVISED	DATE FILMED	DATE REVISED	DATE FILMED	FED. RD. DIST. NO.	STATE	FED. AID PROJ. NO.	SHEET NO.	TOTAL SHEETS
				6	ARK.			
JOB NO.						080388	412	452

② CROSS SECTIONS

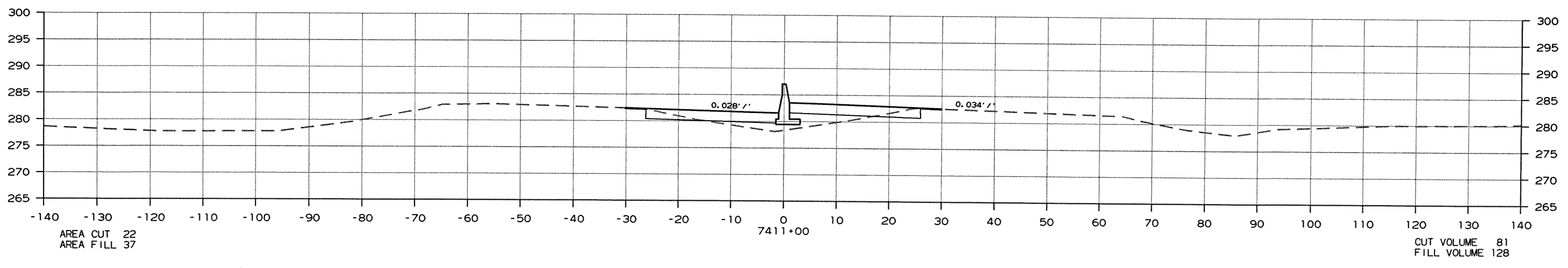
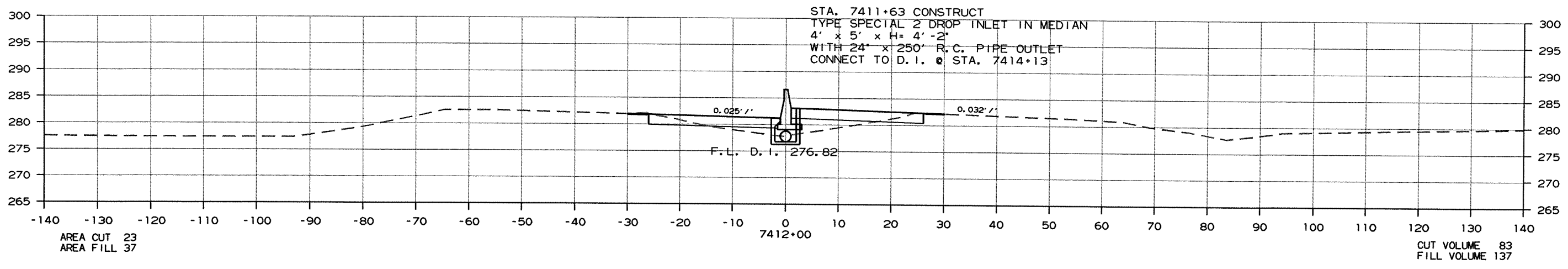
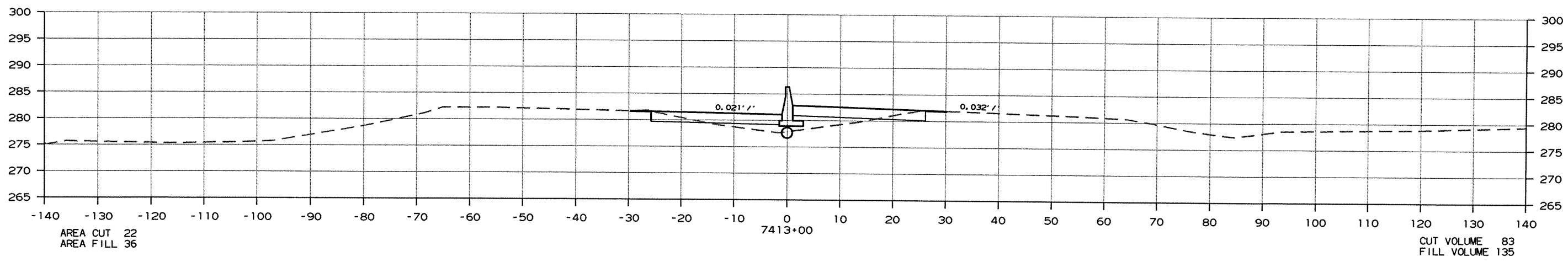


CROSS SECTION STA. 7408+00 TO STA. 7410+00

R080388.DGN 10/27/2011

DATE REVISED	DATE FILMED	DATE REVISED	DATE FILMED	FED. RD. DIST. NO.	STATE	FED. AID PROJ. NO.	SHEET NO.	TOTAL SHEETS
				6	ARK.			
						JOB NO. 080388	413	452

2 CROSS SECTIONS

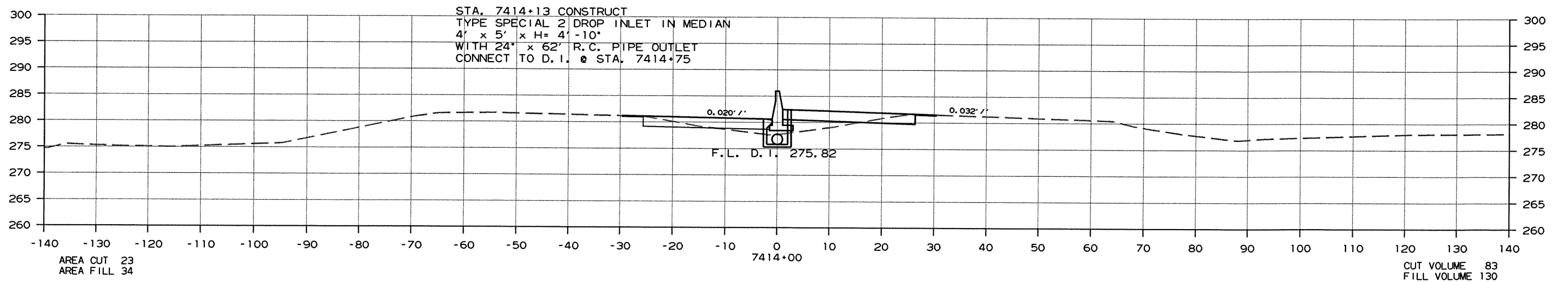
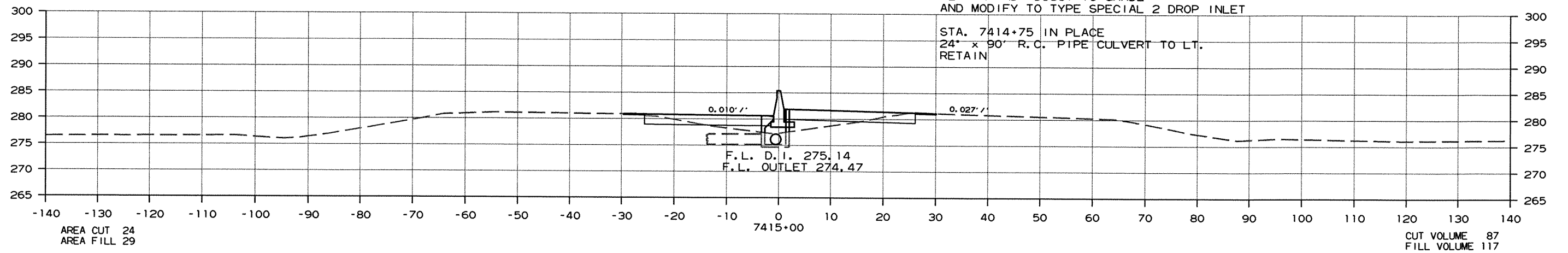
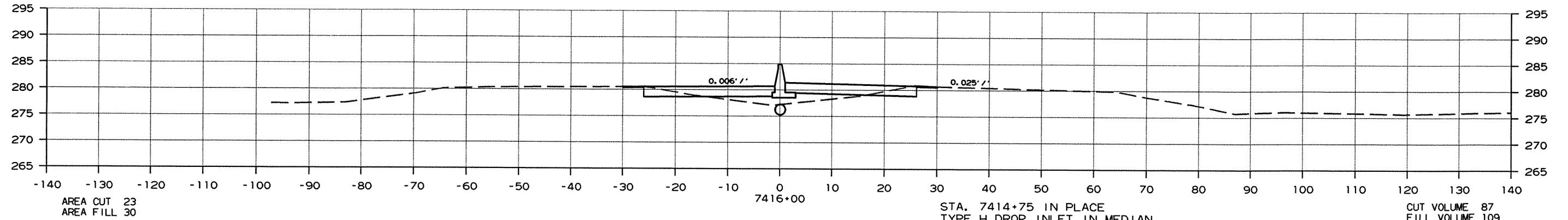


CROSS SECTION STA. 7411+00 TO STA. 7413+00

R080388.DGN 10/27/2011

DATE REVISED	DATE FILMED	DATE REVISED	DATE FILMED	FED. DIST. NO.	STATE	FED. AID PROJ. NO.	SHEET NO.	TOTAL SHEETS
				6	ARK.			
						JOB NO. 080388	414	452

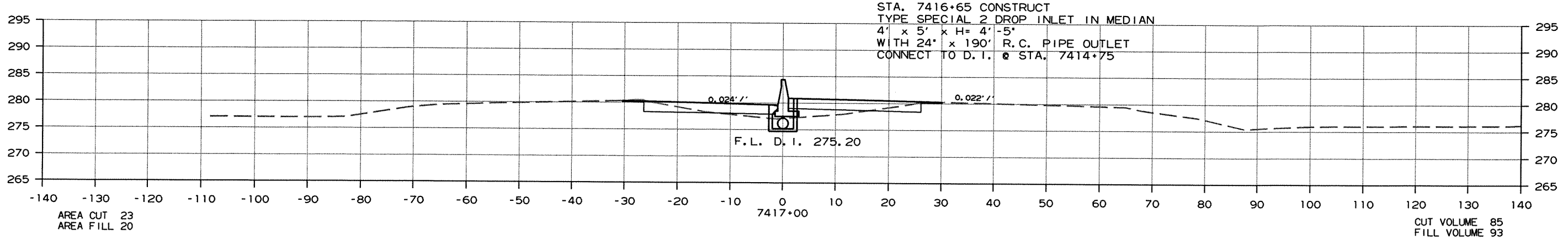
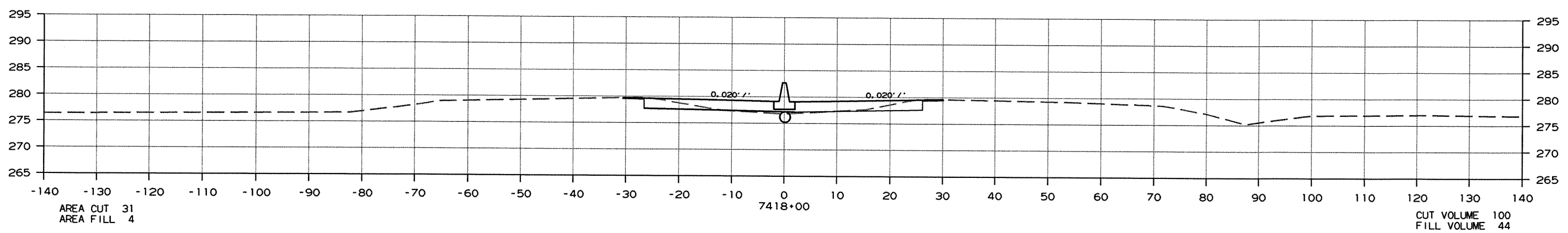
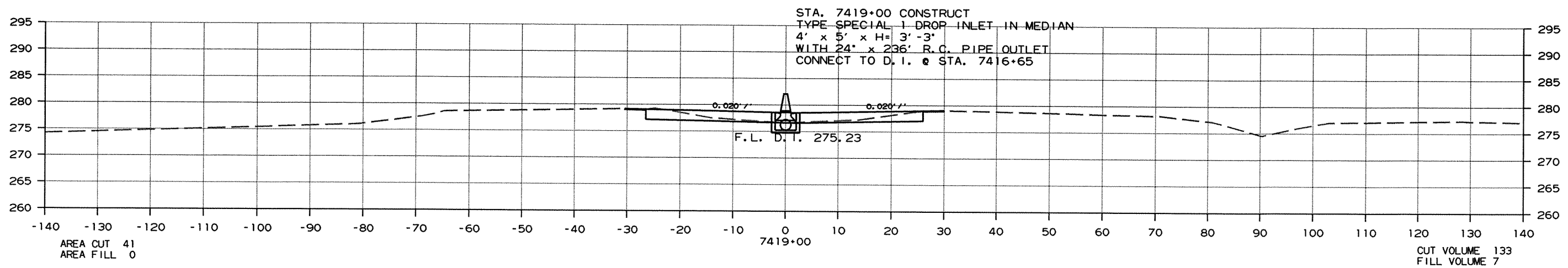
2 CROSS SECTIONS



CROSS SECTION STA. 7414+00 TO STA. 7416+00

DATE REVISED	DATE FILMED	DATE REVISED	DATE FILMED	FED. RD. DIST. NO.	STATE	FED. AID PROJ. NO.	SHEET NO.	TOTAL SHEETS
				6	ARK.			
				JOB NO.	080388		415	452

② CROSS SECTIONS

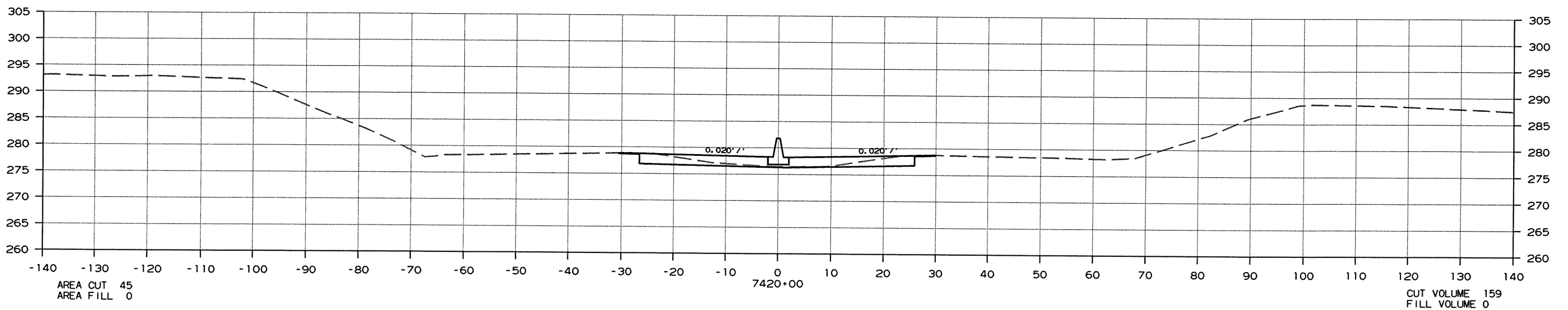
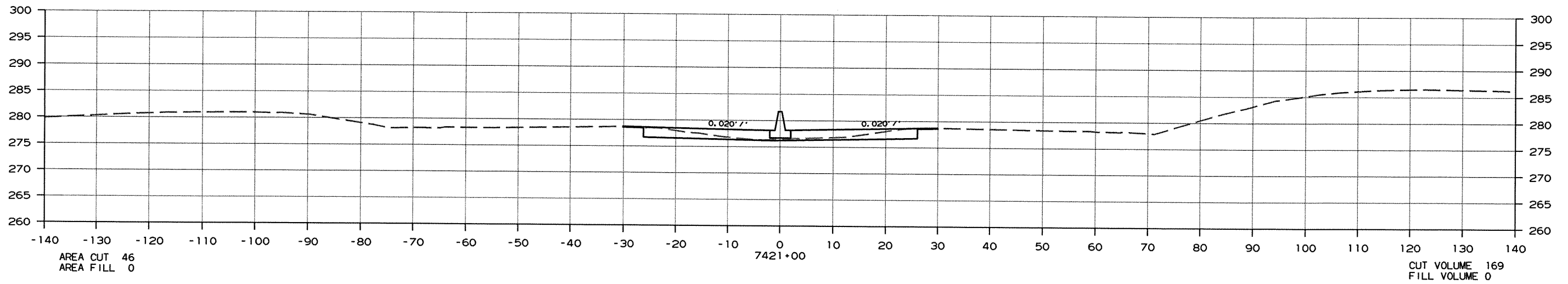
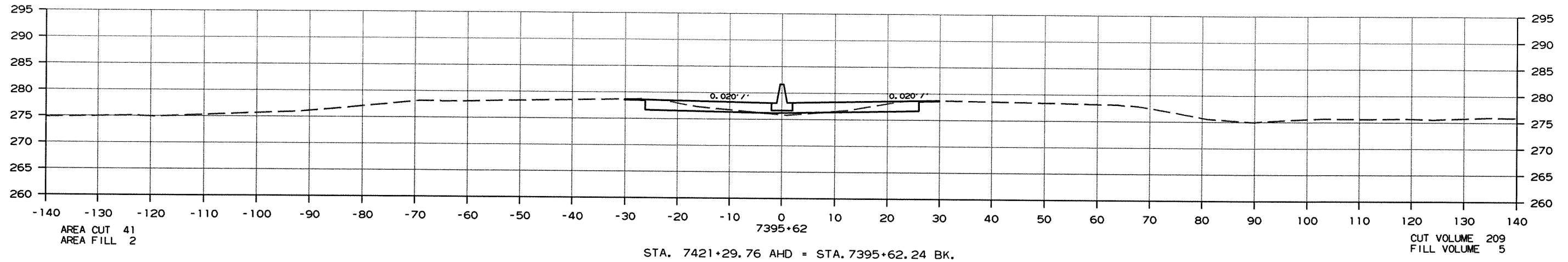


CROSS SECTION STA. 7417+00 TO STA. 7419+00

10/26/2011
 FIX.DGN

DATE REVISED	DATE FILMED	DATE REVISED	DATE FILMED	FED. RD. DIST. NO.	STATE	FED. AID PROJ. NO.	SHEET NO.	TOTAL SHEETS
				6	ARK.			
						JOB NO. 080388	416	452

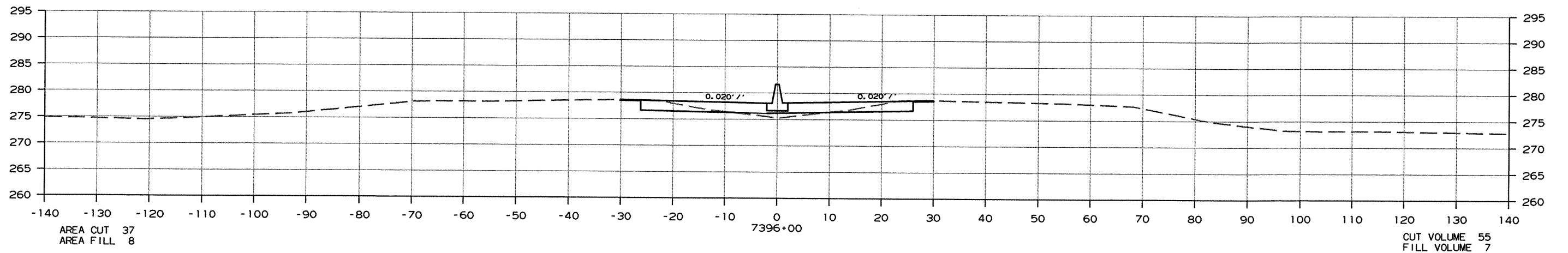
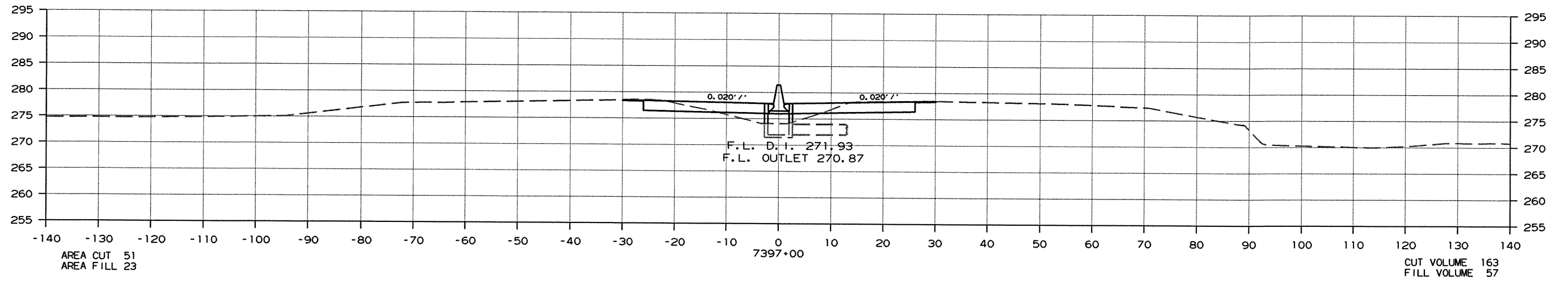
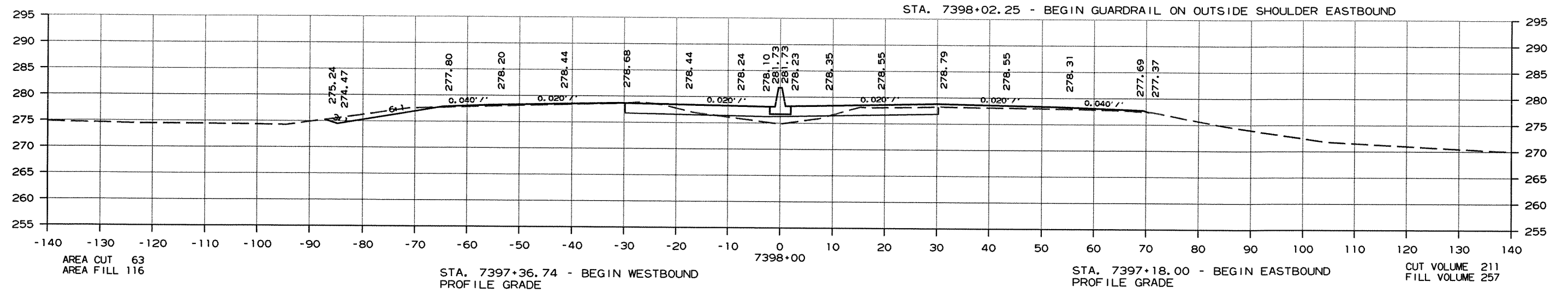
② CROSS SECTIONS



CROSS SECTION STA. 7420+00 TO STA. 7395+62

DATE REVISED	DATE FILMED	DATE REVISED	DATE FILMED	FED. RD. DIST. NO.	STATE	FED. AID PROJ. NO.	SHEET NO.	TOTAL SHEETS
				6	ARK.			
JOB NO. 080388						417	452	

2 CROSS SECTIONS

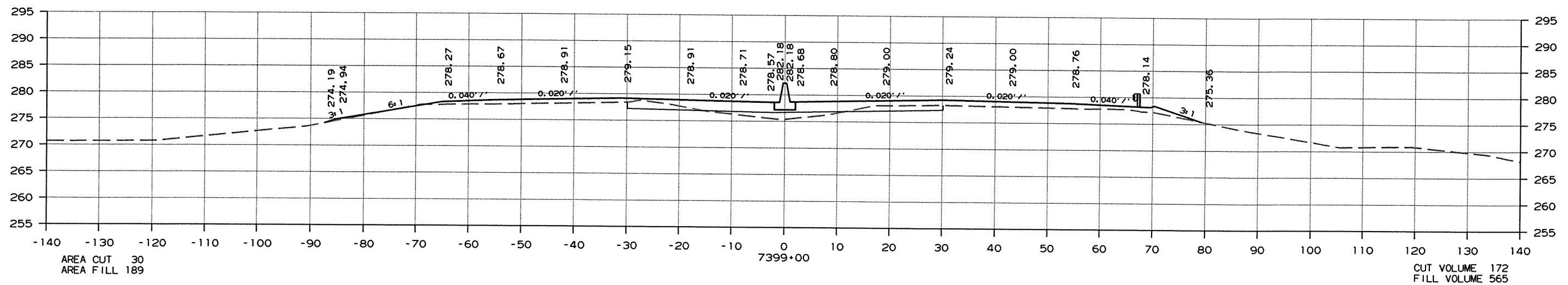
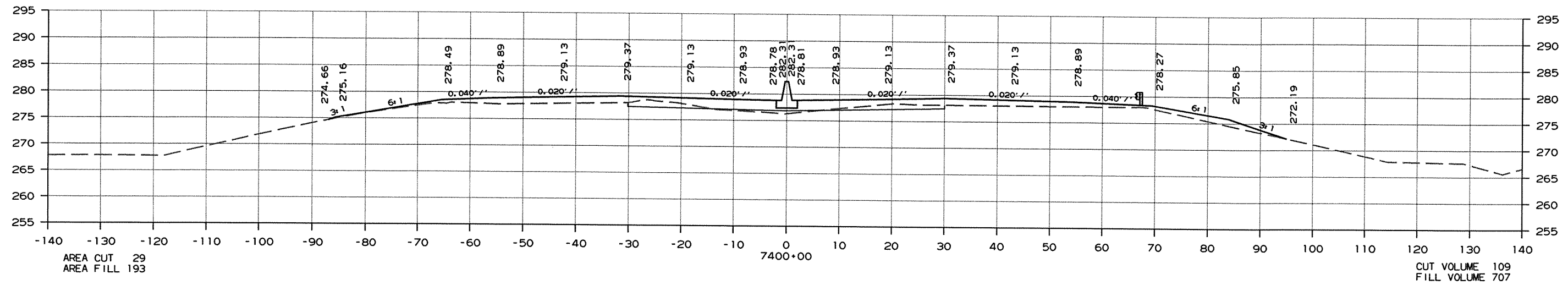


CROSS SECTION STA. 7396+00 TO STA. 7398+00

FIX.DGN 10/26/2011

DATE REVISED	DATE FILMED	DATE REVISED	DATE FILMED	FED. RD. DIST. NO.	STATE	FED. AID PROJ. NO.	SHEET NO.	TOTAL SHEETS
				6	ARK.			
						JOB NO. 080388	418	452

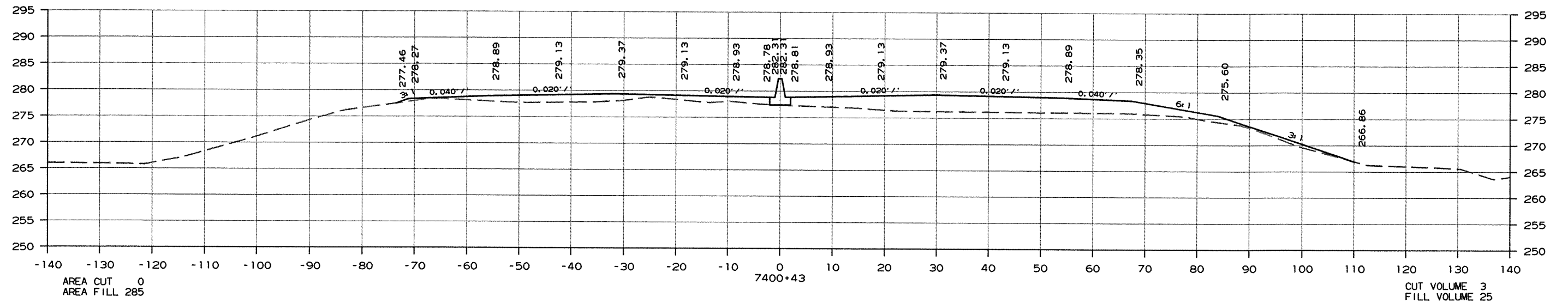
2 CROSS SECTIONS



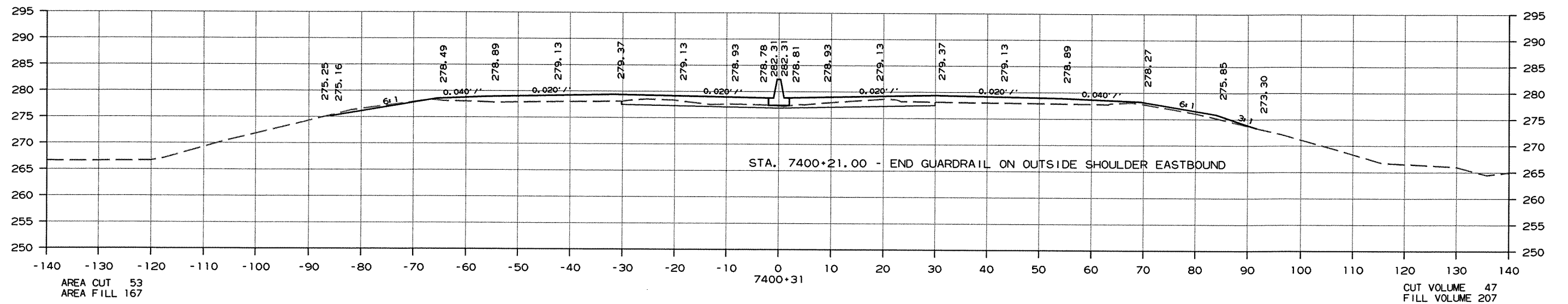
CROSS SECTION STA. 7399+00 TO STA. 7400+00

DATE REVISED	DATE FILMED	DATE REVISED	DATE FILMED	FED. RD. DIST. NO.	STATE	FED. AID PROJ. NO.	SHEET NO.	TOTAL SHEETS
				6	ARK.			
JOB NO.						080388	419	452

2 CROSS SECTIONS



STA. 7400+43.00 (B) - BRIDGE END

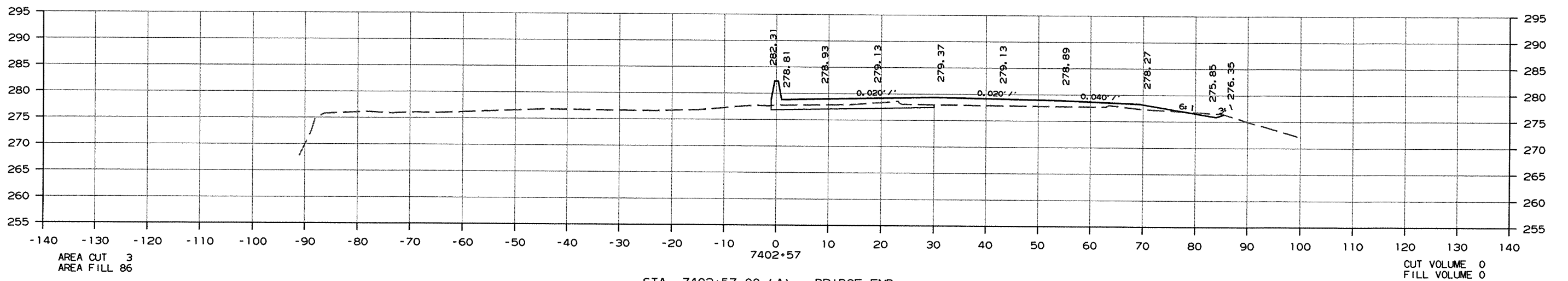
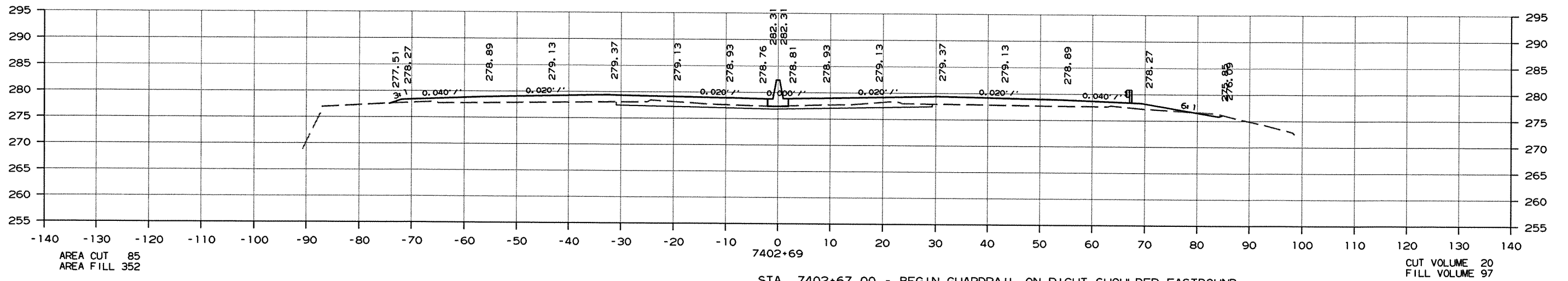
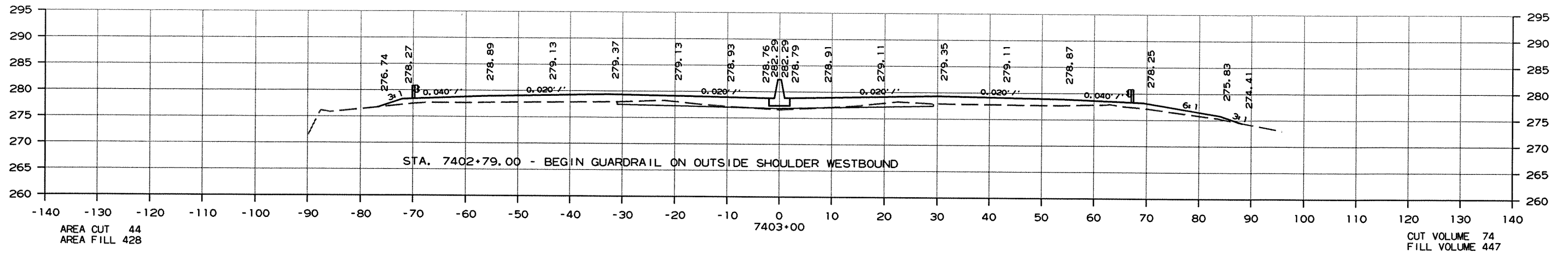


STA. 7400+31.00 (A) - BRIDGE END

CROSS SECTION STA. 7400+31 TO STA. 7400+43

DATE REVISED	DATE FILMED	DATE REVISED	DATE FILMED	FED. RD. DIST. NO.	STATE	FED. AID PROJ. NO.	SHEET NO.	TOTAL SHEETS
				6	ARK.			
						JOB NO. 080388	420	452

② CROSS SECTIONS

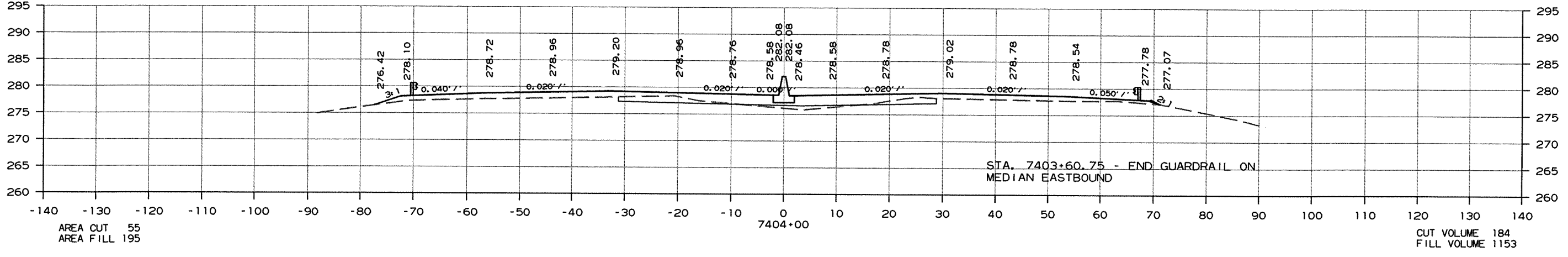
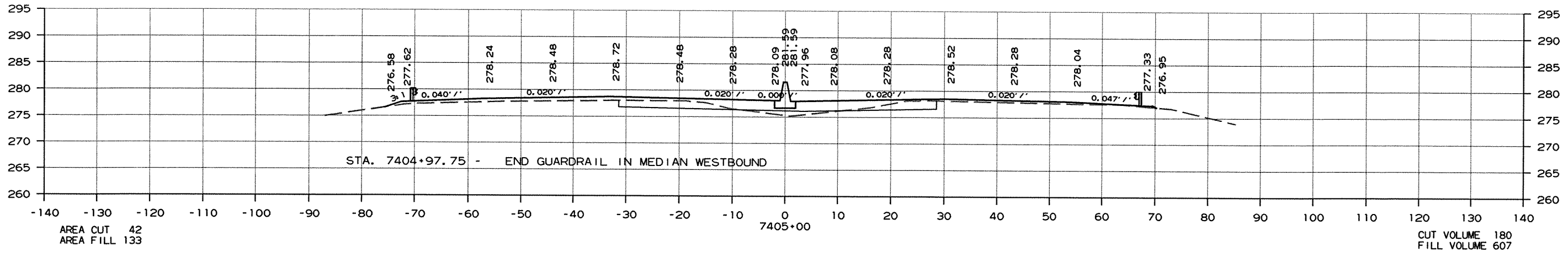
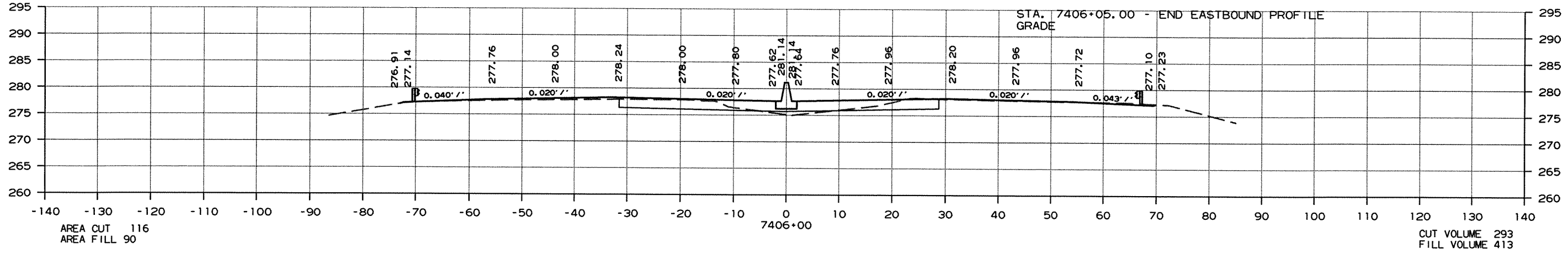


STA. 7402+57.00 (A) - BRIDGE END

CROSS SECTION STA. 7402+57 TO STA. 7403+00

DATE REVISED	DATE FILMED	DATE REVISED	DATE FILMED	FED. RD. DIST. NO.	STATE	FED. AID PROJ. NO.	SHEET NO.	TOTAL SHEETS
				6	ARK.			
JOB NO.						080388	421	452

2 CROSS SECTIONS

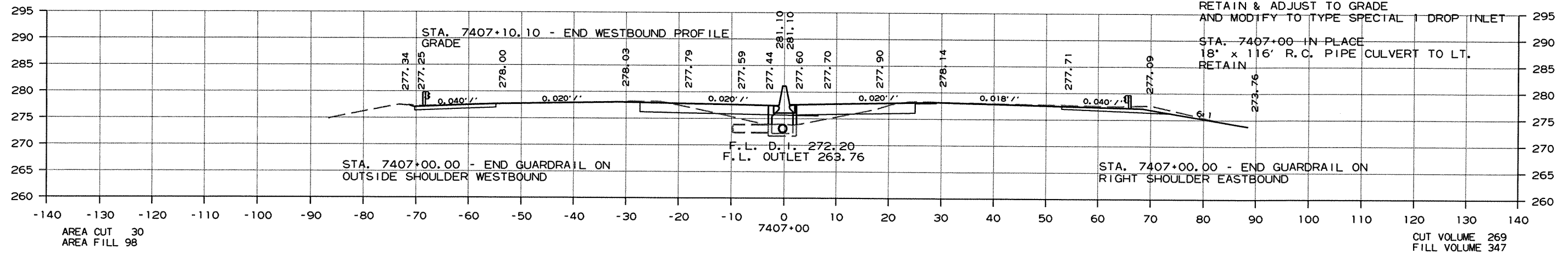
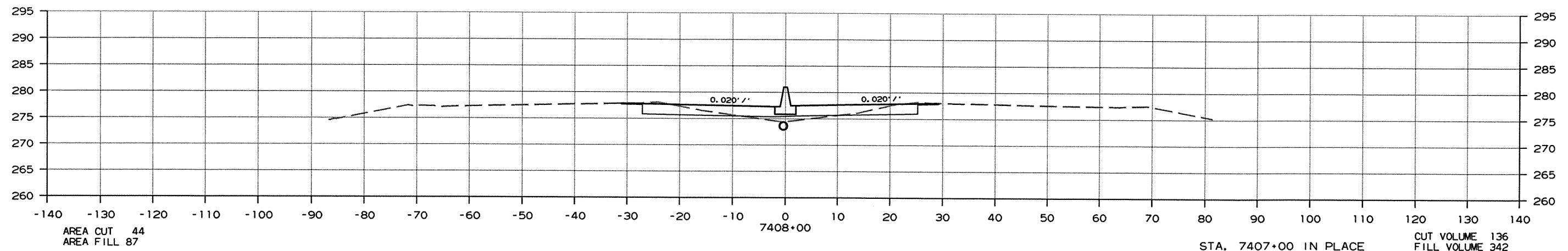
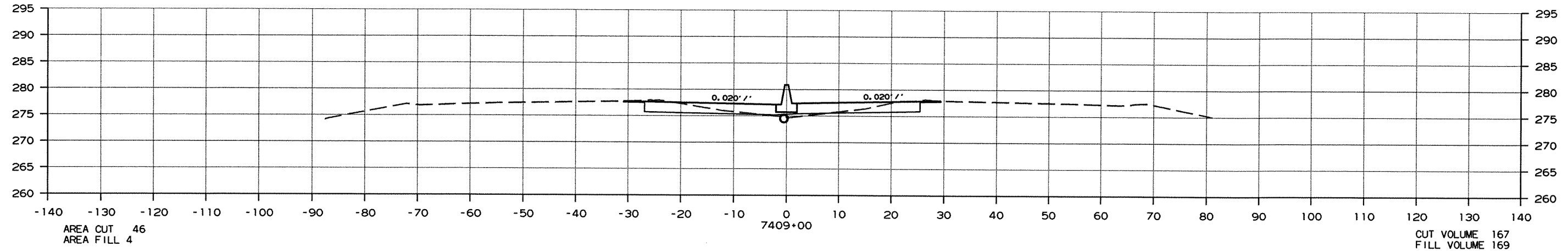


CROSS SECTION STA. 7404+00 TO STA. 7406+00

10/26/2011
FIX.DGN

DATE REVISED	DATE FILMED	DATE REVISED	DATE FILMED	FED. RD. DIST. NO.	STATE	FED. AID PROJ. NO.	SHEET NO.	TOTAL SHEETS
				6	ARK.			
				JOB NO.	080388		422	452

② CROSS SECTIONS

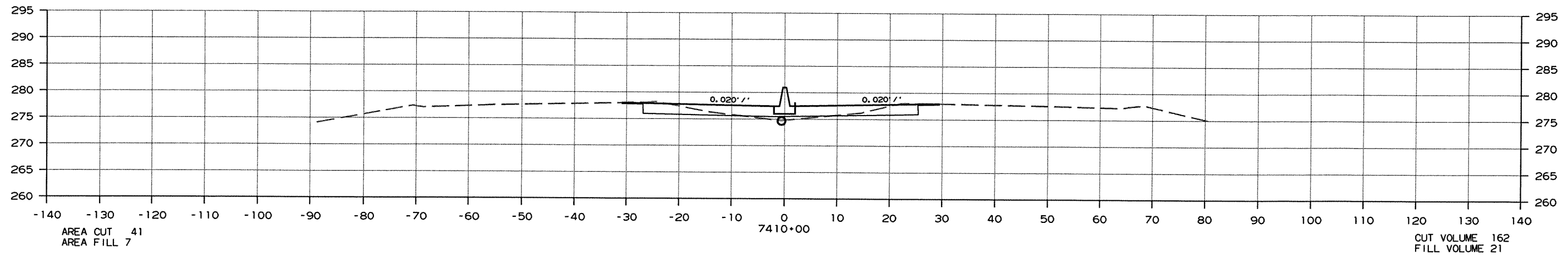
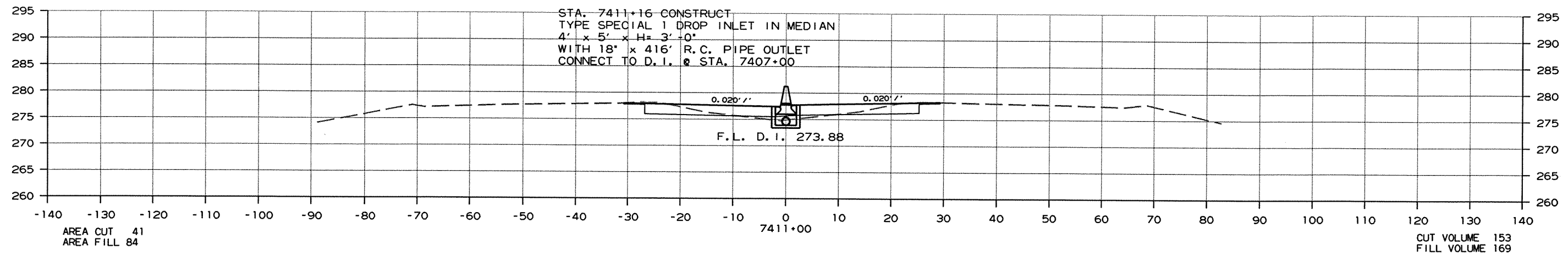
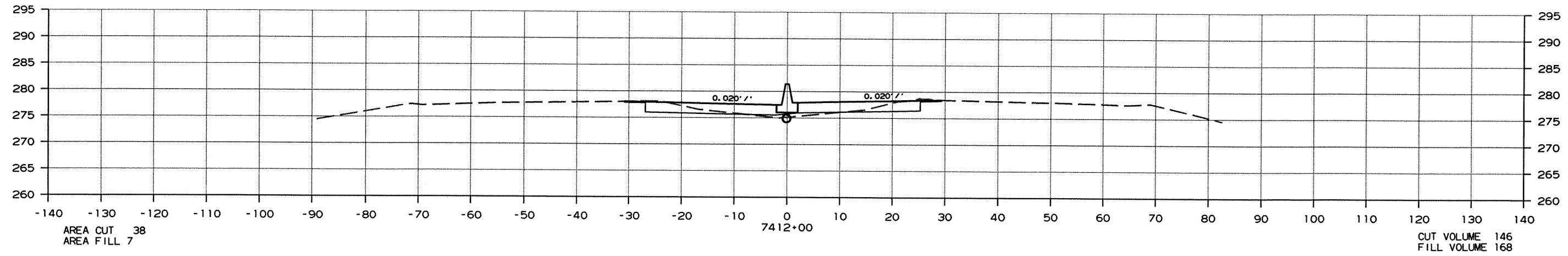


CROSS SECTION STA. 7407+00 TO STA. 7409+00

10/26/2011
FIX.DCN

DATE REVISED	DATE FILMED	DATE REVISED	DATE FILMED	FED. RD. DIST. NO.	STATE	FED. AID PROJ. NO.	SHEET NO.	TOTAL SHEETS
				6	ARK.			
				JOB NO.	080388		423	452

② CROSS SECTIONS

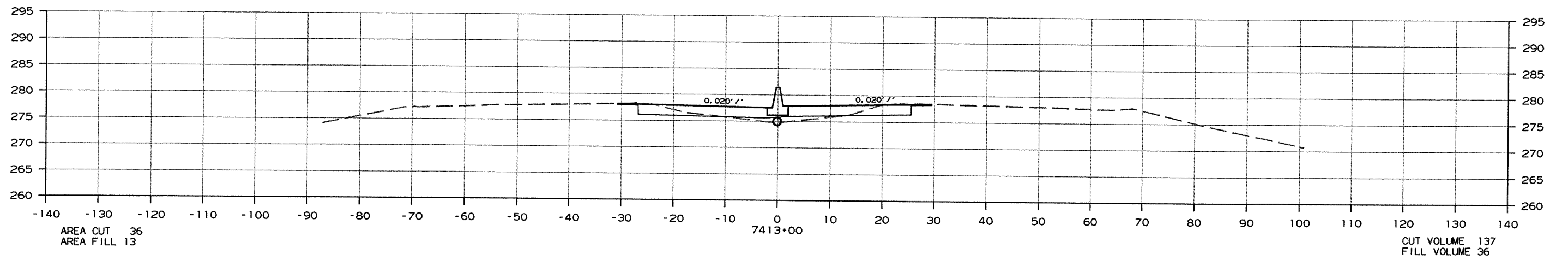
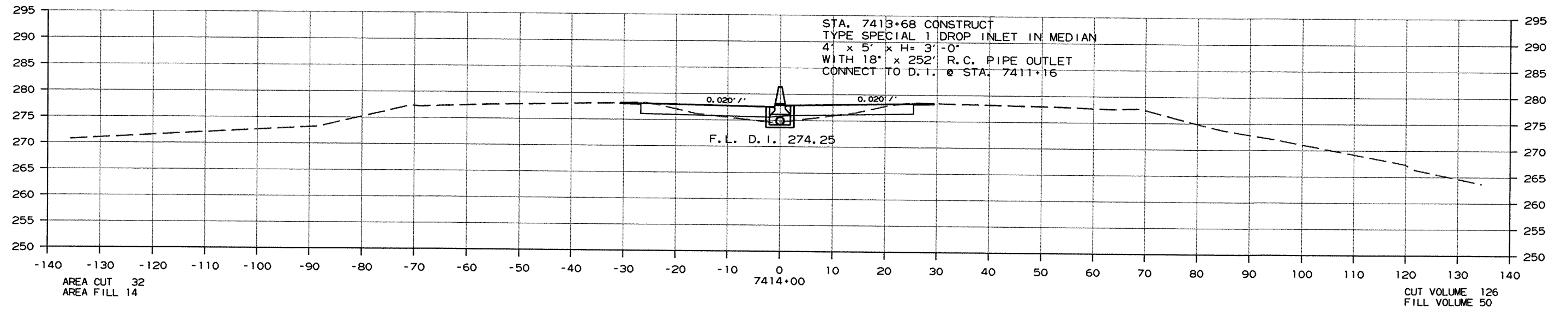


CROSS SECTION STA. 7410+00 TO STA. 7412+00

10/26/2011
FIX.DGN

DATE REVISED	DATE FILMED	DATE REVISED	DATE FILMED	FED. RD. DIST. NO.	STATE	FED. AID PROJ. NO.	SHEET NO.	TOTAL SHEETS
				6	ARK.			
						JOB NO. 080388	424	452

② CROSS SECTIONS

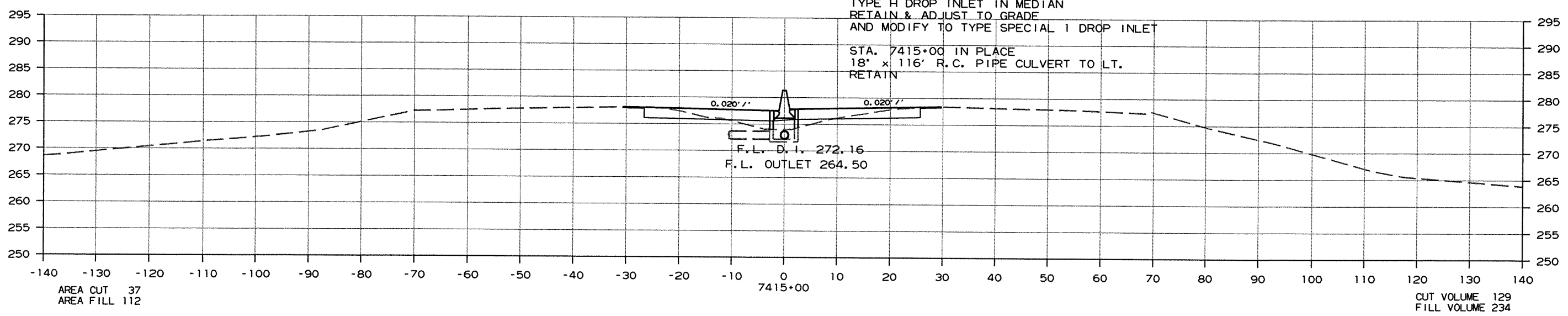
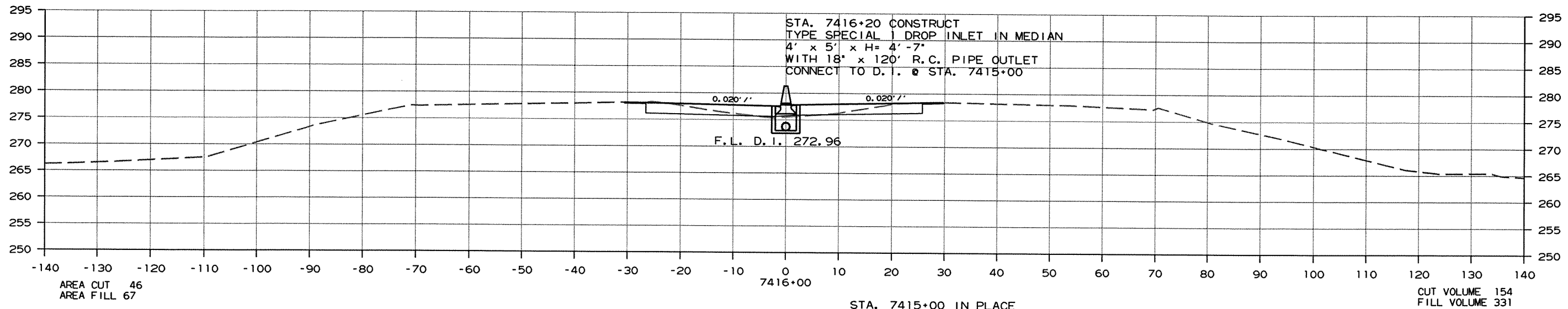


CROSS SECTION STA. 7413+00 TO STA. 7414+00

10/26/2011
FIX.DGN

DATE REVISED	DATE FILMED	DATE REVISED	DATE FILMED	FED. RD. DIST. NO.	STATE	FED. AID PROJ. NO.	SHEET NO.	TOTAL SHEETS
				6	ARK.			
						JOB NO. 080388	425	452

2 CROSS SECTIONS

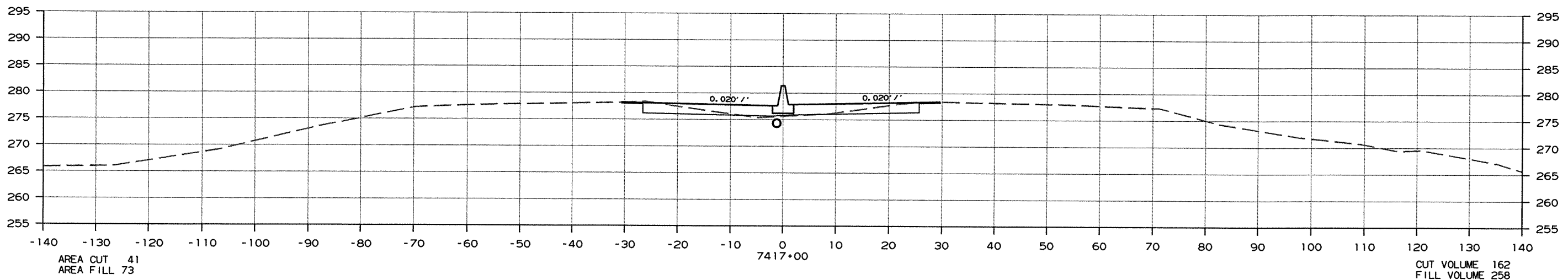
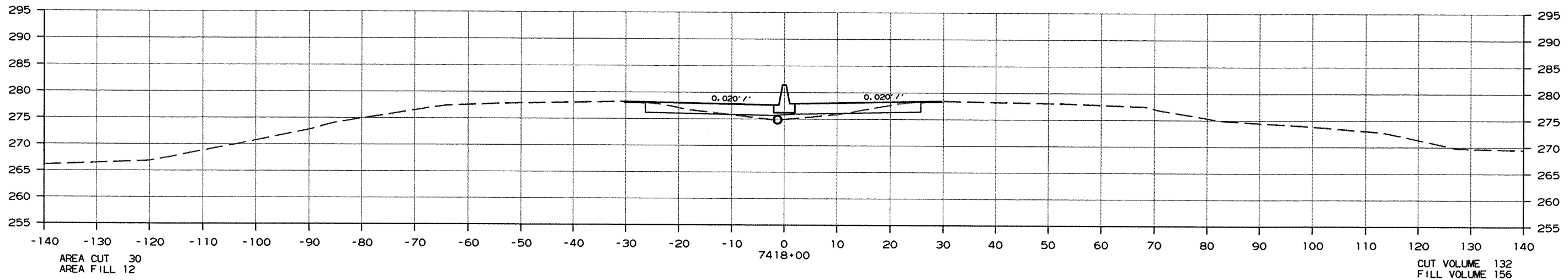
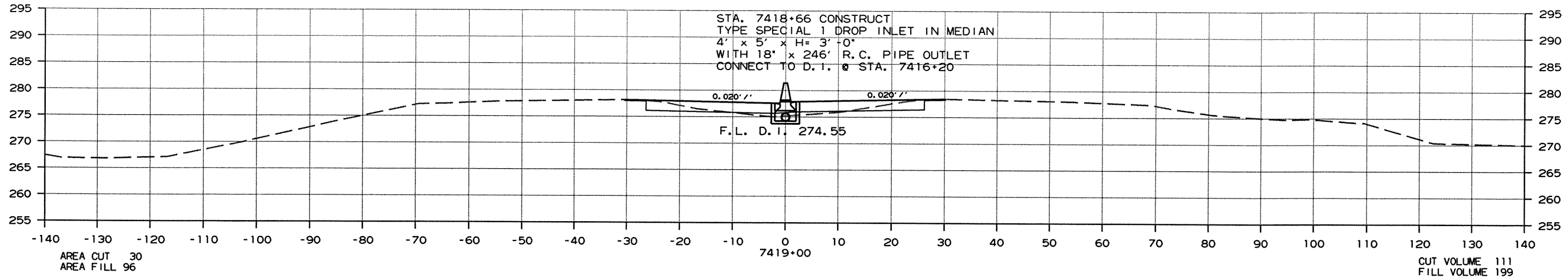


CROSS SECTION STA. 7415+00 TO STA. 7416+00

10/26/2011
FIX.DGN

DATE REVISED	DATE FILMED	DATE REVISED	DATE FILMED	FED. RD. DIST. NO.	STATE	FED. AID PROJ. NO.	SHEET NO.	TOTAL SHEETS
				6	ARK.			
				JOB NO.	080388		426	452

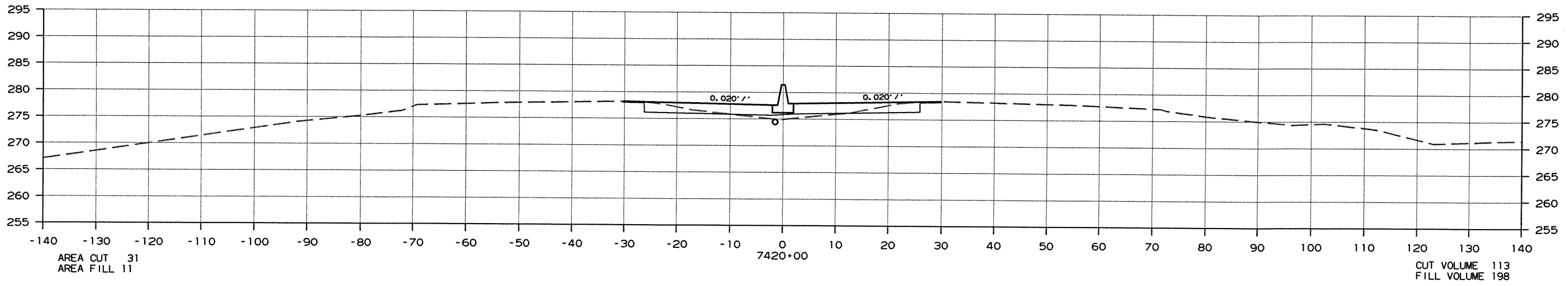
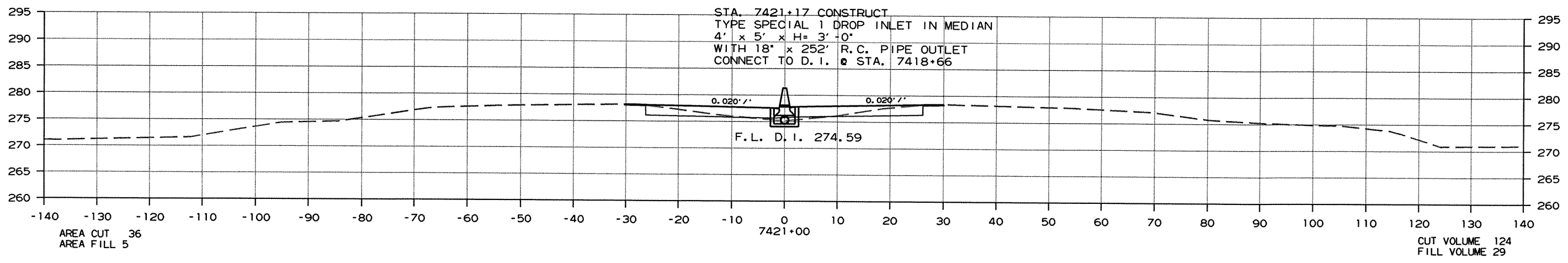
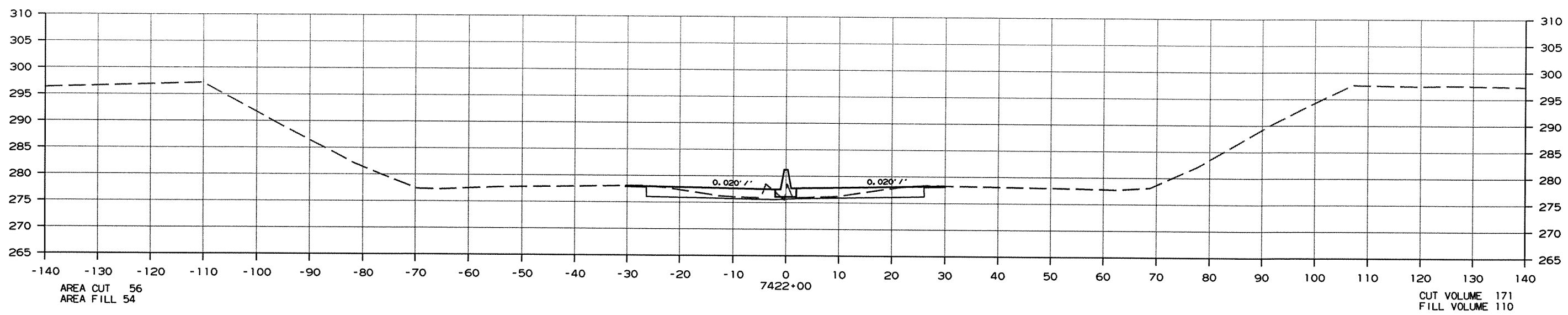
② CROSS SECTIONS



CROSS SECTION STA. 7417+00 TO STA. 7419+00

DATE REVISED	DATE FILMED	DATE REVISED	DATE FILMED	FED. RD. DIST. NO.	STATE	FED. AID PROJ. NO.	SHEET NO.	TOTAL SHEETS
				6	ARK.			
						JOB NO. 080388	427	452

② CROSS SECTIONS

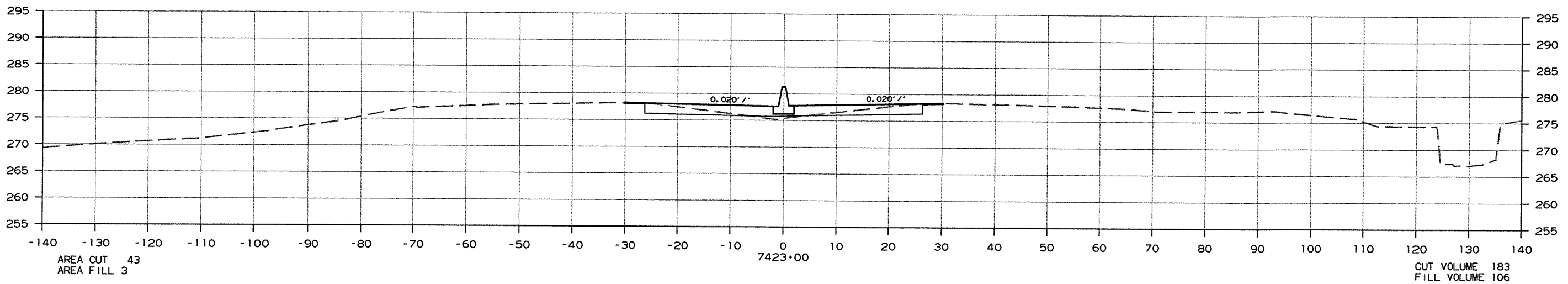
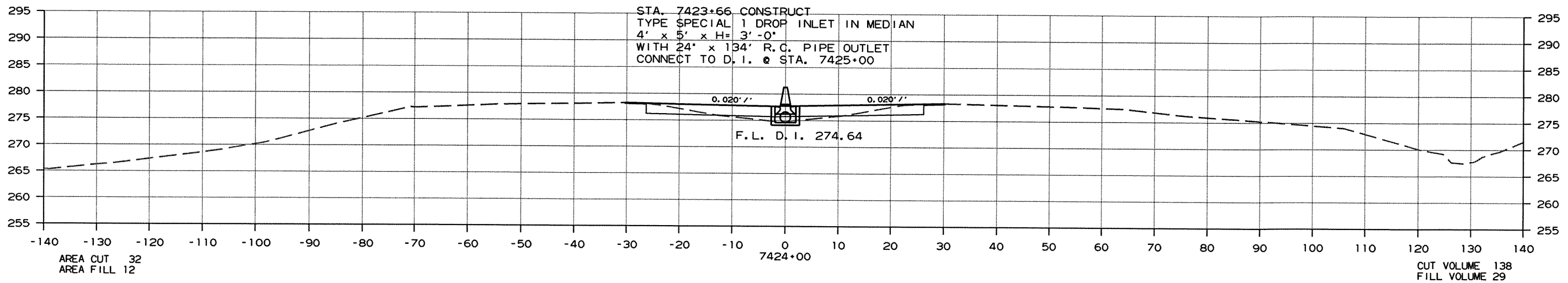
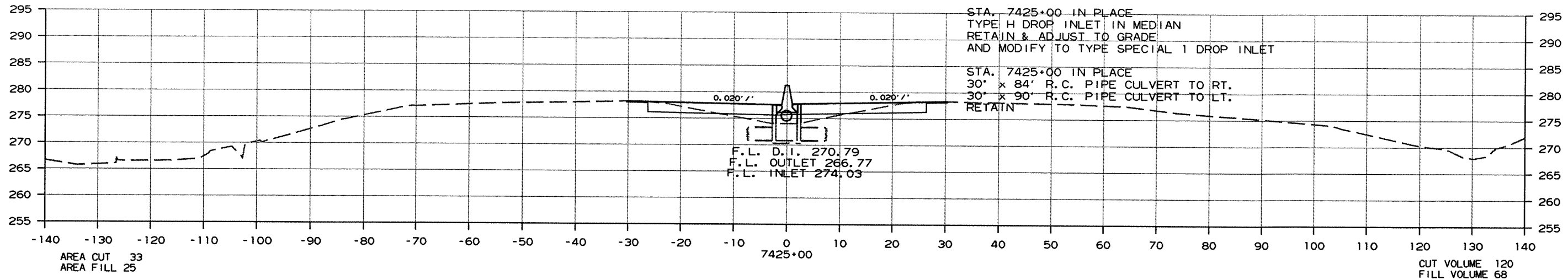


CROSS SECTION STA. 7420+00 TO STA. 7422+00

10/26/2011
FIX.DGN

DATE REVISED	DATE FILMED	DATE REVISED	DATE FILMED	FED. RD. DIST. NO.	STATE	FED. AID PROJ. NO.	SHEET NO.	TOTAL SHEETS
				6	ARK.			
JOB NO. 080388							428	452

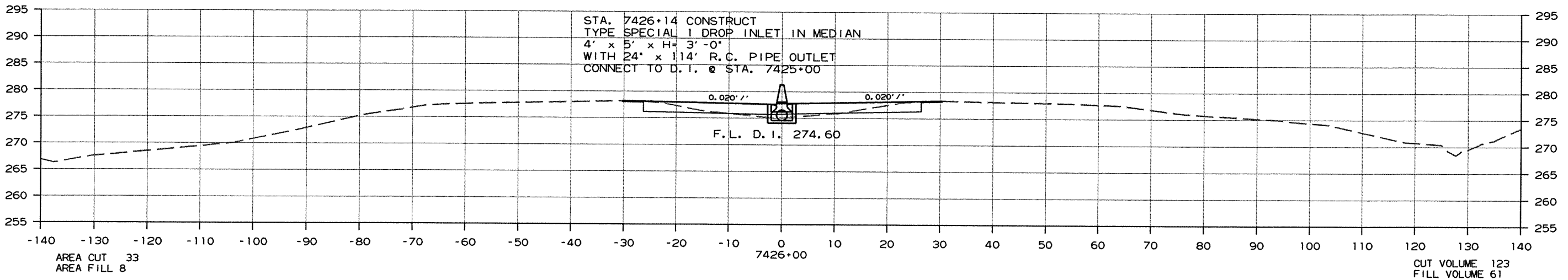
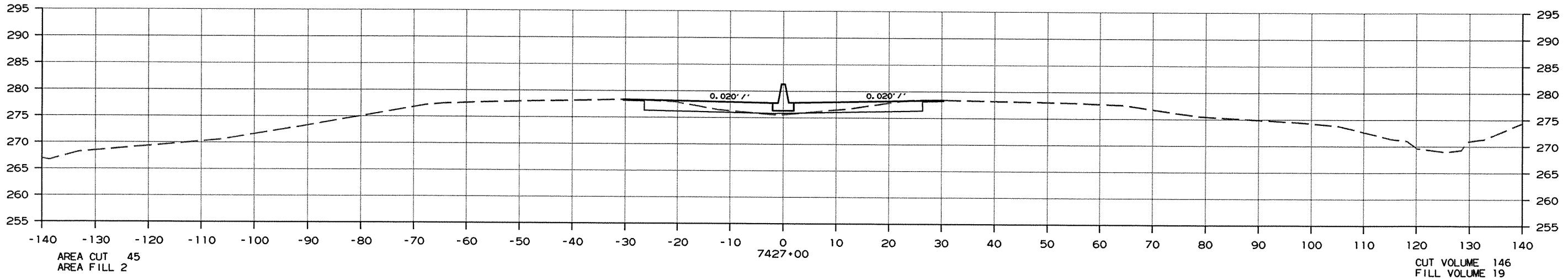
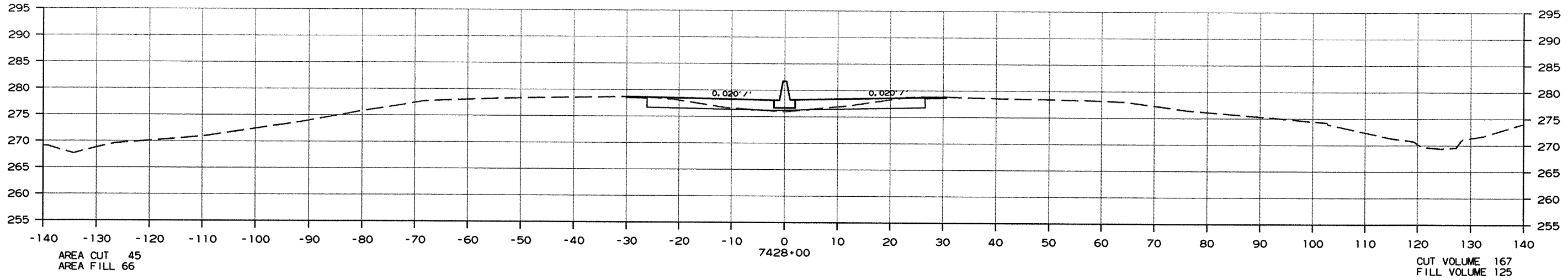
② CROSS SECTIONS



CROSS SECTION STA. 7423+00 TO STA. 7425+00

DATE REVISED	DATE FILMED	DATE REVISED	DATE FILMED	FED. RD. DIST. NO.	STATE	FED. AID PROJ. NO.	SHEET NO.	TOTAL SHEETS
				6	ARK.			
				JOB NO.	080388		429	452

② CROSS SECTIONS

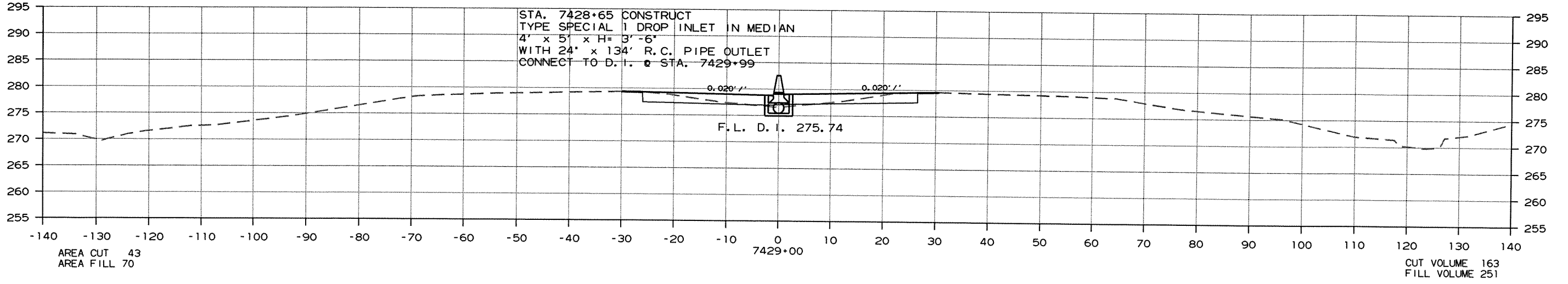
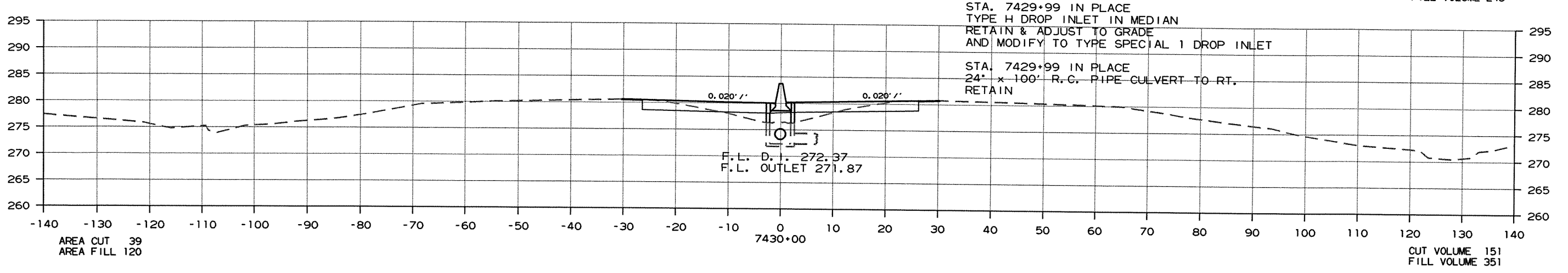
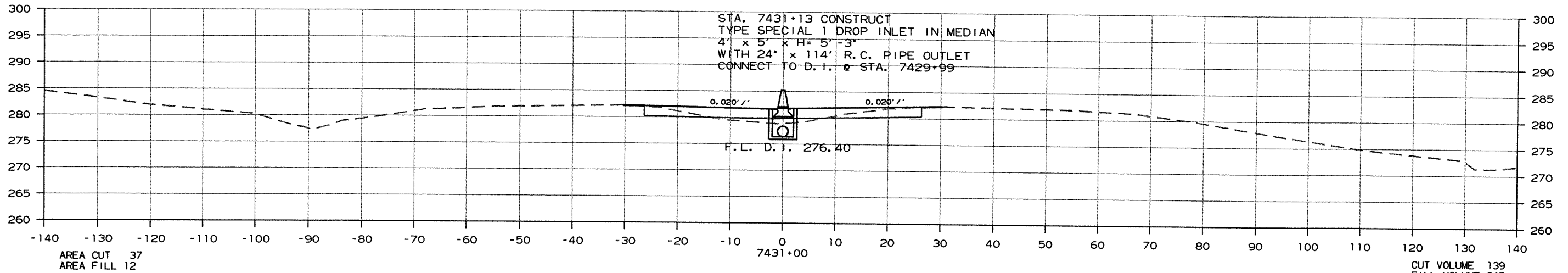


CROSS SECTION STA. 7426+00 TO STA. 7428+00

10/26/2011
FIX.DGN

DATE REVISED	DATE FILMED	DATE REVISED	DATE FILMED	FED. RD. DIST. NO.	STATE	FED. AID PROJ. NO.	SHEET NO.	TOTAL SHEETS
				6	ARK.			
						JOB NO. 080388	430	452

2 CROSS SECTIONS

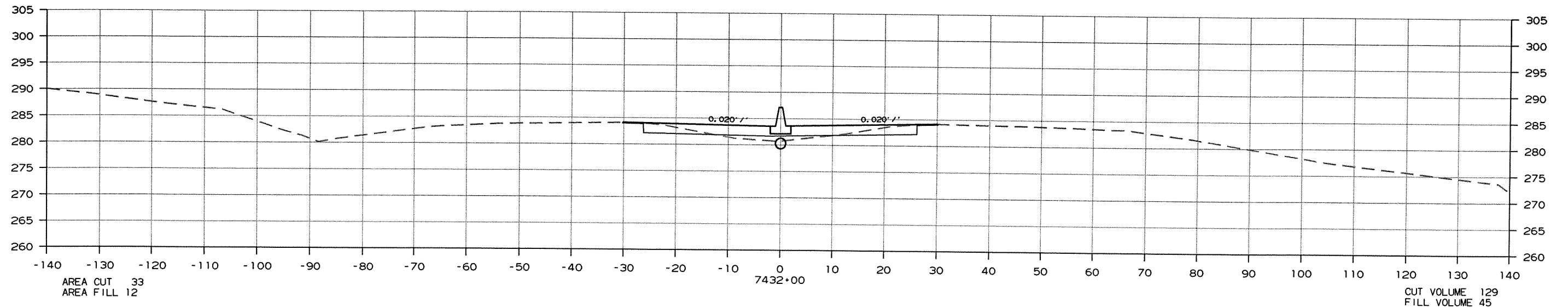
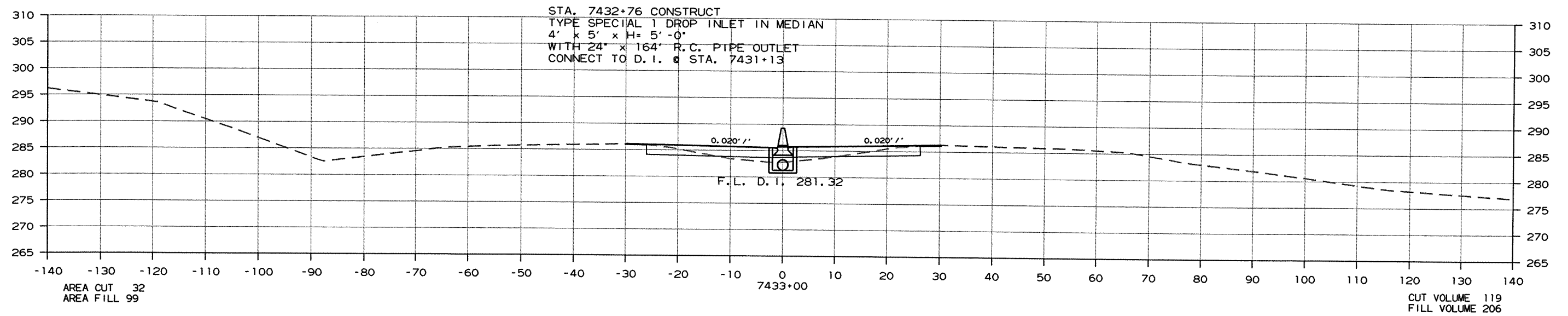


CROSS SECTION STA. 7429+00 TO STA. 7431+00

R080388.DGN 10/27/2011

DATE REVISED	DATE FILMED	DATE REVISED	DATE FILMED	FED. RD. DIST. NO.	STATE	FED. AID PROJ. NO.	SHEET NO.	TOTAL SHEETS
				6	ARK.			
						JOB NO. 080388	431	452

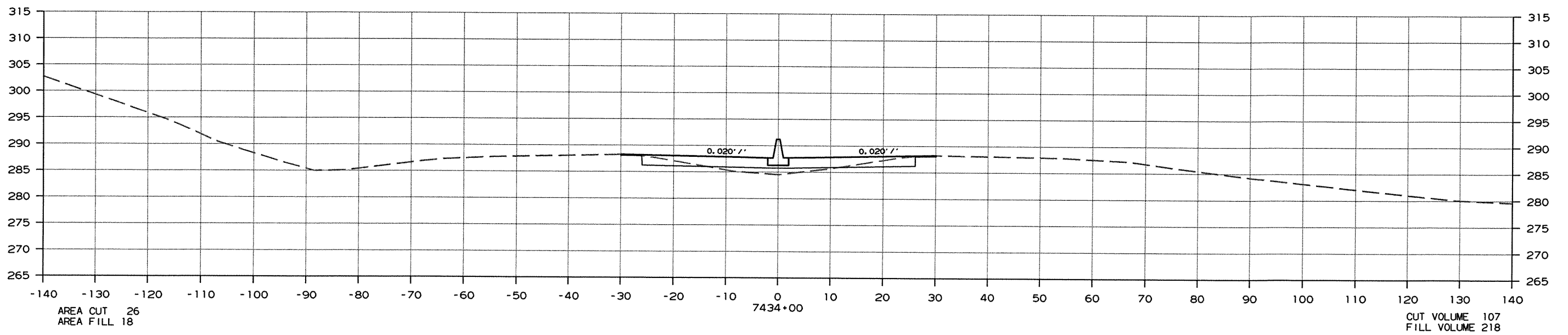
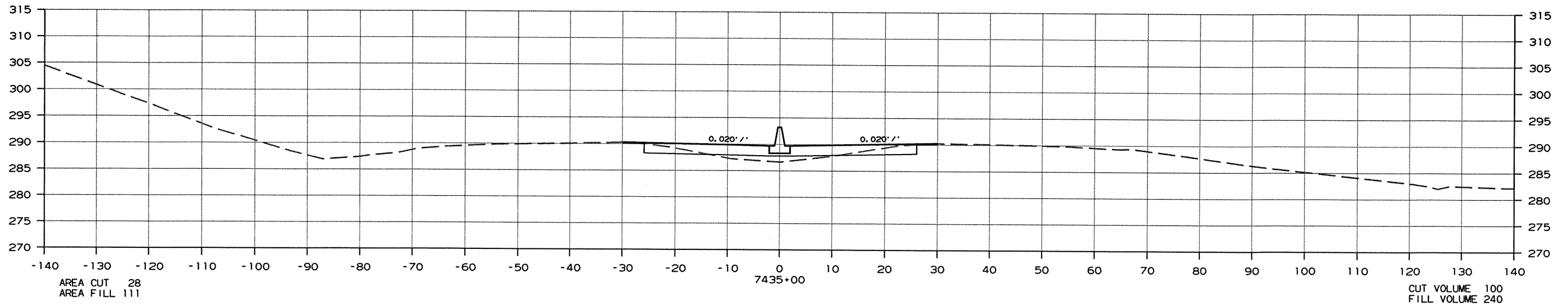
② CROSS SECTIONS



CROSS SECTION STA. 7432+00 TO STA. 7433+00

DATE REVISED	DATE FILMED	DATE REVISED	DATE FILMED	FED. RD. DIST. NO.	STATE	FED. AID PROJ. NO.	SHEET NO.	TOTAL SHEETS
				6	ARK.			
				JOB NO.	080388		432	452

② CROSS SECTIONS

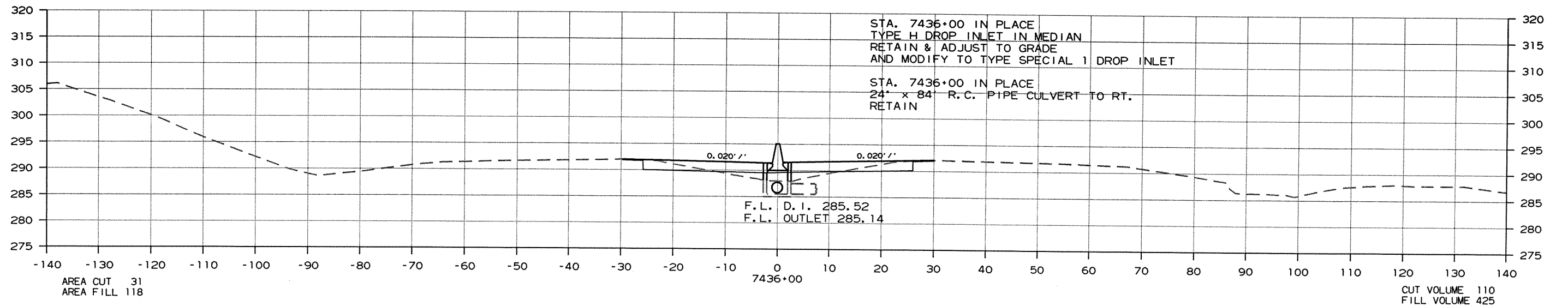
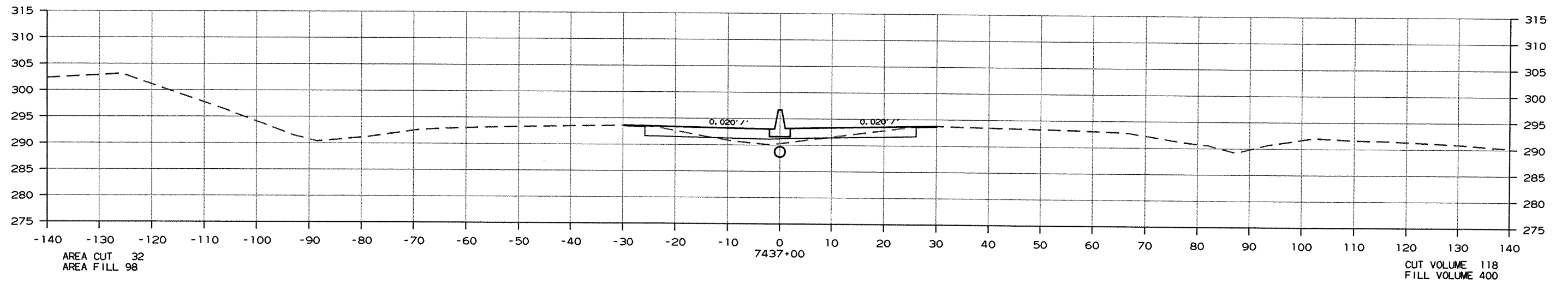
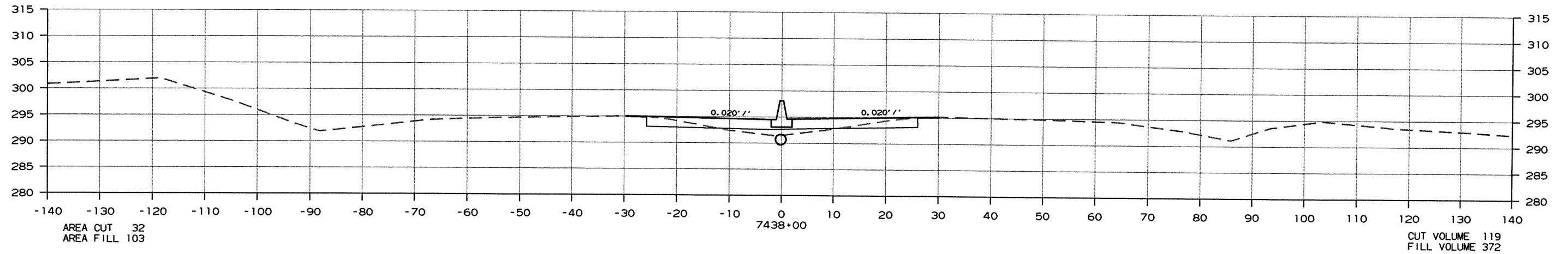


CROSS SECTION STA. 7434+00 TO STA. 7435+00

FIX.DGN 10/26/2011

DATE REVISED	DATE FILMED	DATE REVISED	DATE FILMED	FED. RD. DIST. NO.	STATE	FED. AID PROJ. NO.	SHEET NO.	TOTAL SHEETS
				6	ARK.			
				JOB NO.	080388		433	452

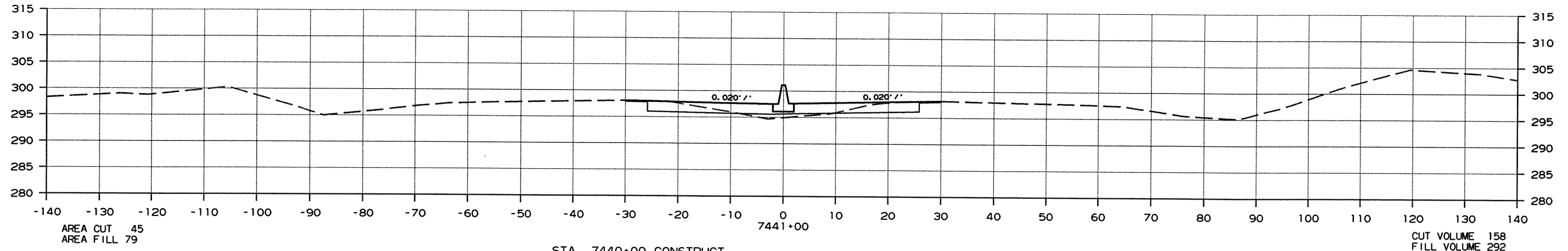
2 CROSS SECTIONS



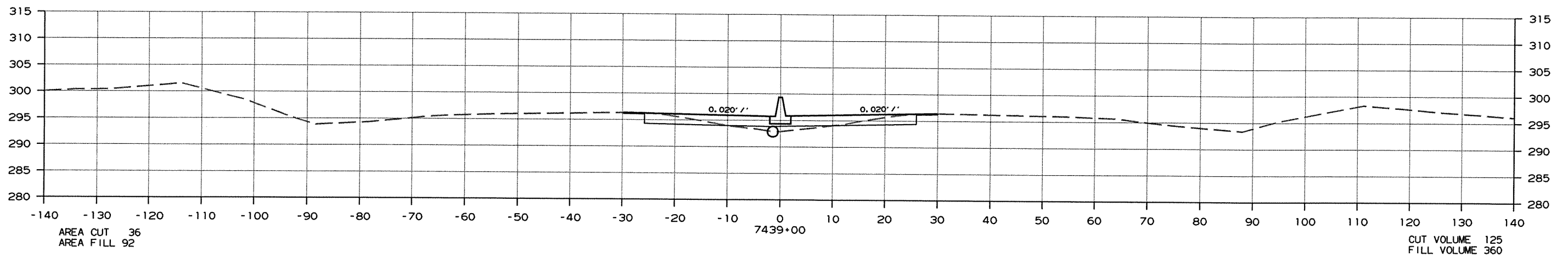
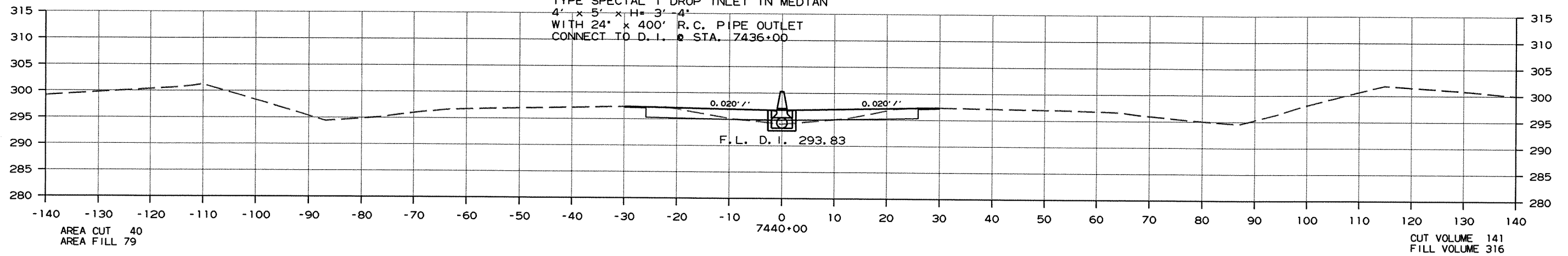
CROSS SECTION STA. 7436+00 TO STA. 7438+00

DATE REVISED	DATE FILMED	DATE REVISED	DATE FILMED	FED. RD. DIST. NO.	STATE	FED. AID PROJ. NO.	SHEET NO.	TOTAL SHEETS
				6	ARK.			
JOB NO.						080388	434	452

② CROSS SECTIONS



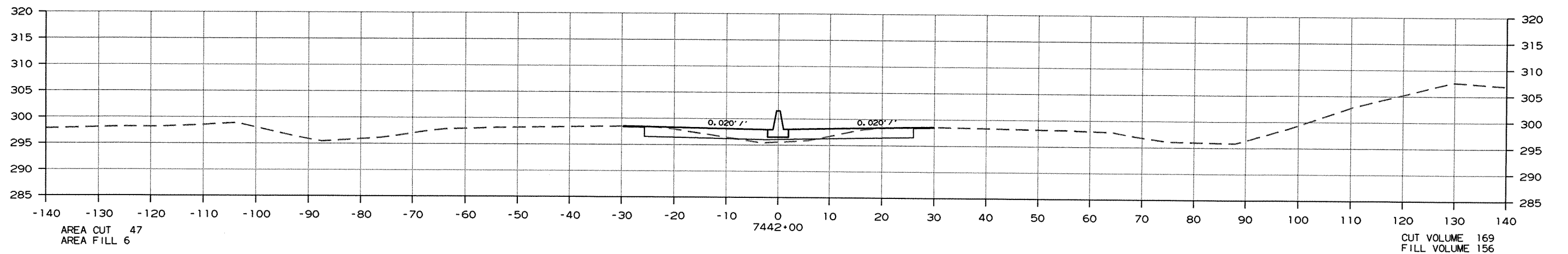
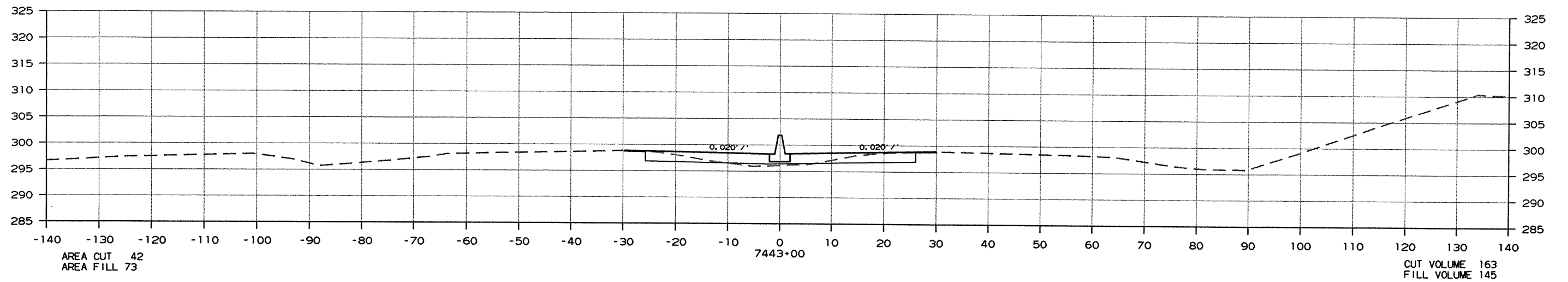
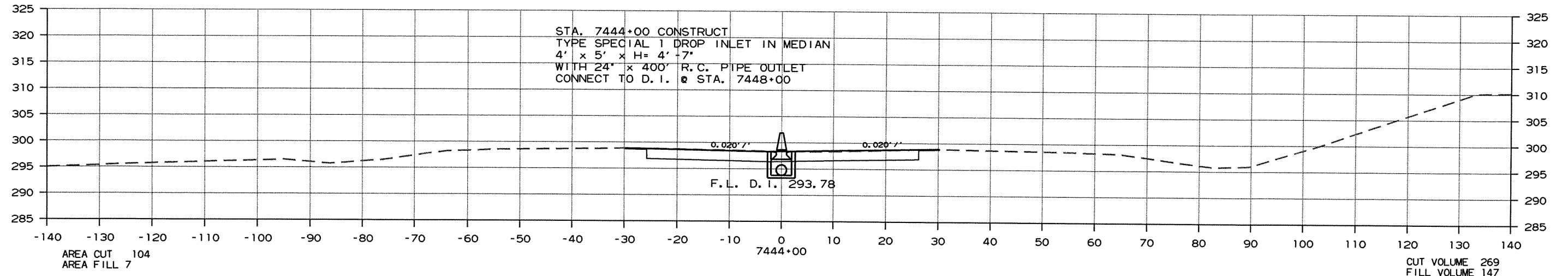
STA. 7440+00 CONSTRUCT
TYPE SPECIAL 1 DROP INLET IN MEDIAN
4' x 5' x H= 3'-4"
WITH 24" x 400' R.C. PIPE OUTLET
CONNECT TO D.I. @ STA. 7436+00



CROSS SECTION STA. 7439+00 TO STA. 7441+00

DATE REVISED	DATE FILMED	DATE REVISED	DATE FILMED	FED. RD. DIST. NO.	STATE	FED. AID PROJ. NO.	SHEET NO.	TOTAL SHEETS
				6	ARK.			
JOB NO. 080388							435	452

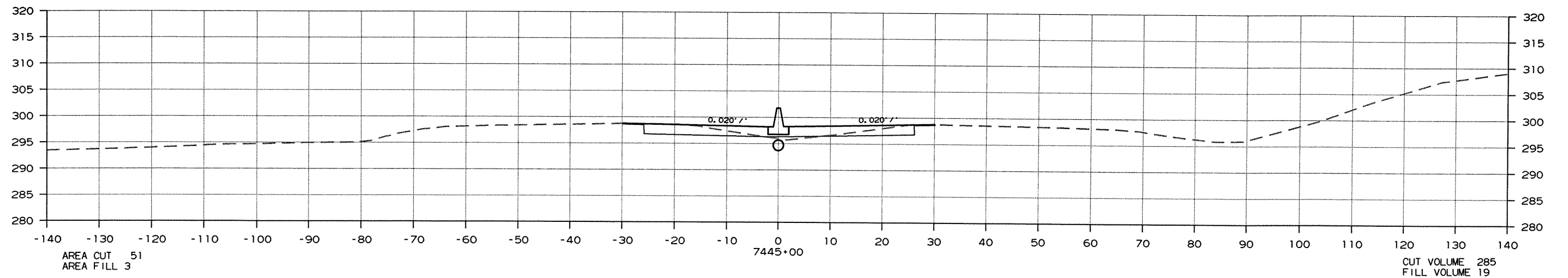
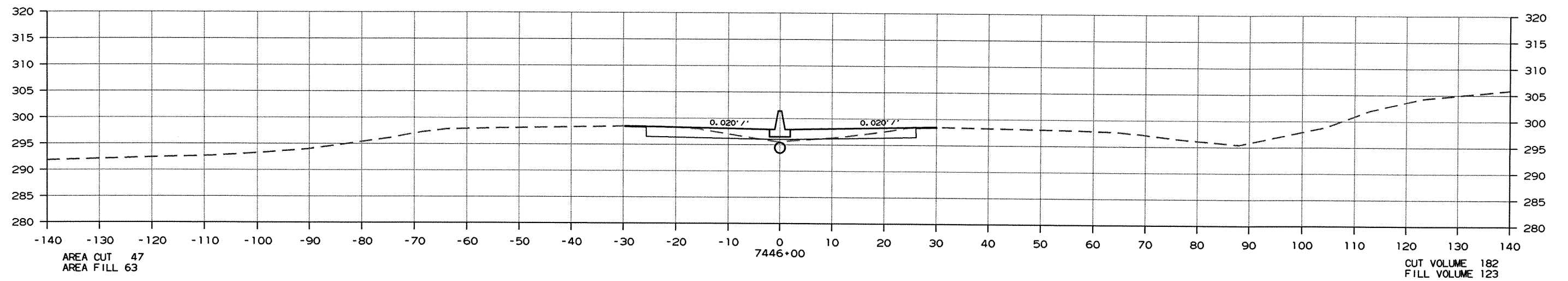
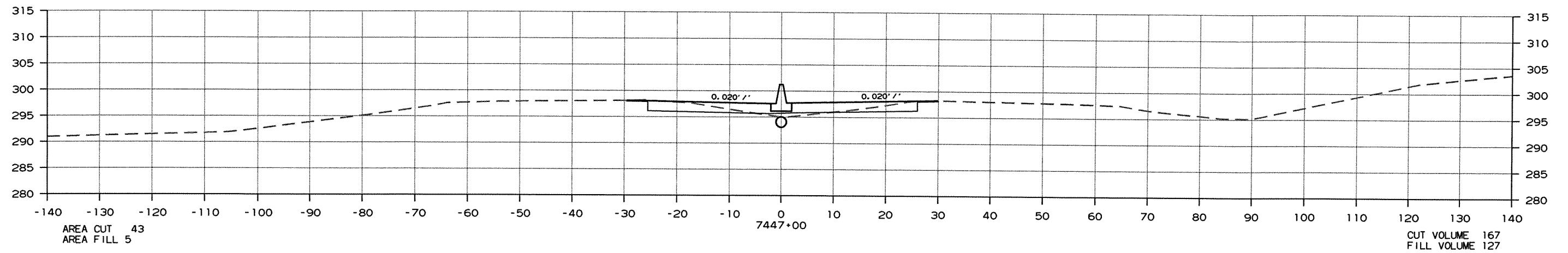
② CROSS SECTIONS



CROSS SECTION STA. 7442+00 TO STA. 7444+00

DATE REVISED	DATE FILMED	DATE REVISED	DATE FILMED	FED. RD. DIST. NO.	STATE	FED. AID PROJ. NO.	SHEET NO.	TOTAL SHEETS
				6	ARK.			
JOB NO. 080388							436	452

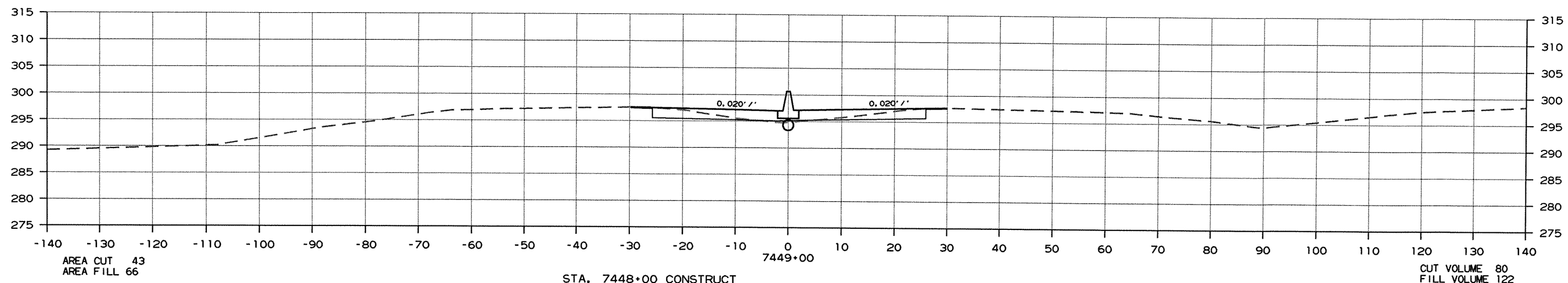
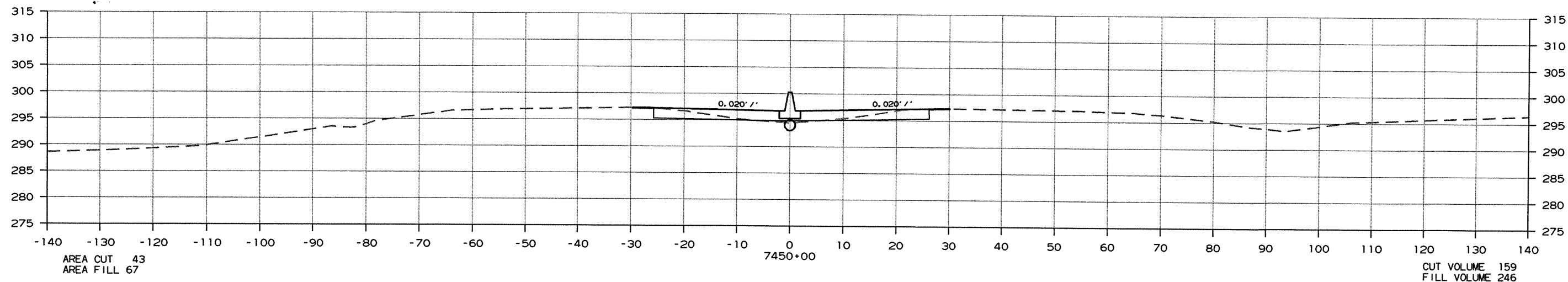
② CROSS SECTIONS



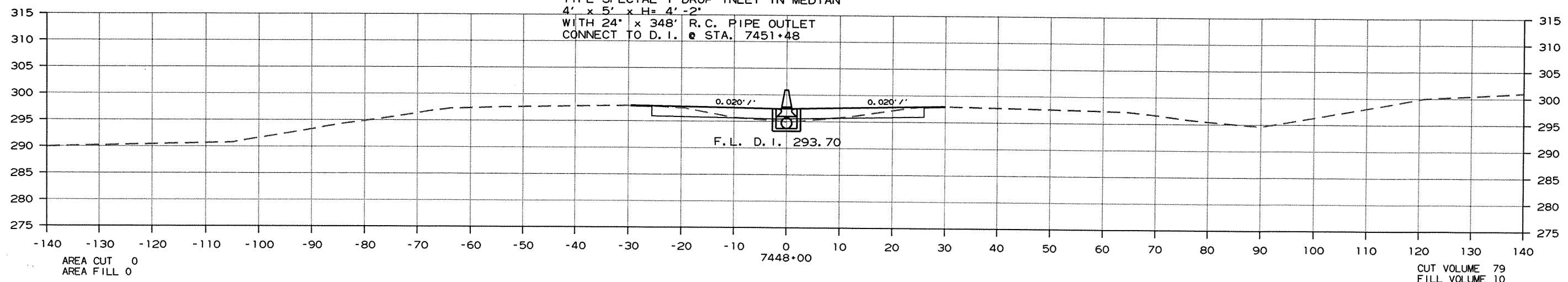
CROSS SECTION STA. 7445+00 TO STA. 7447+00

DATE REVISED	DATE FILMED	DATE REVISED	DATE FILMED	FED. RD. DIST. NO.	STATE	FED. AID PROJ. NO.	SHEET NO.	TOTAL SHEETS
				6	ARK.			
JOB NO. 080388							437	452

② CROSS SECTIONS



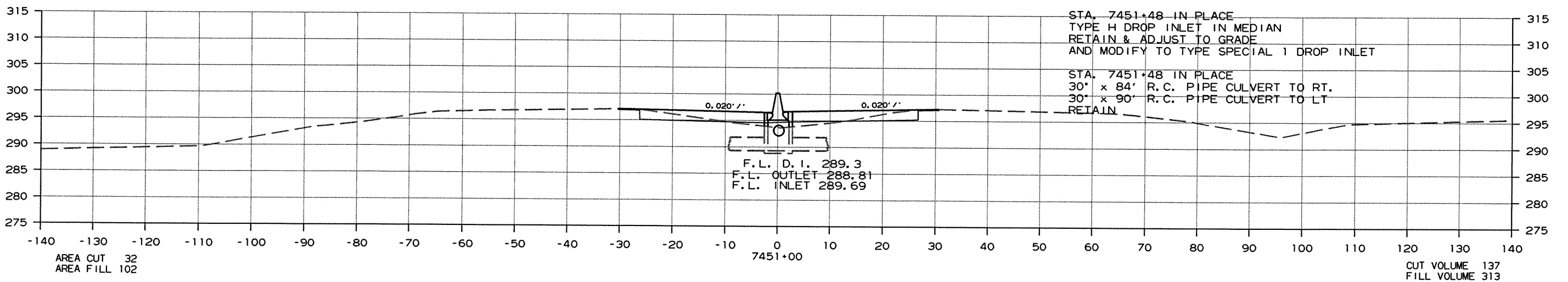
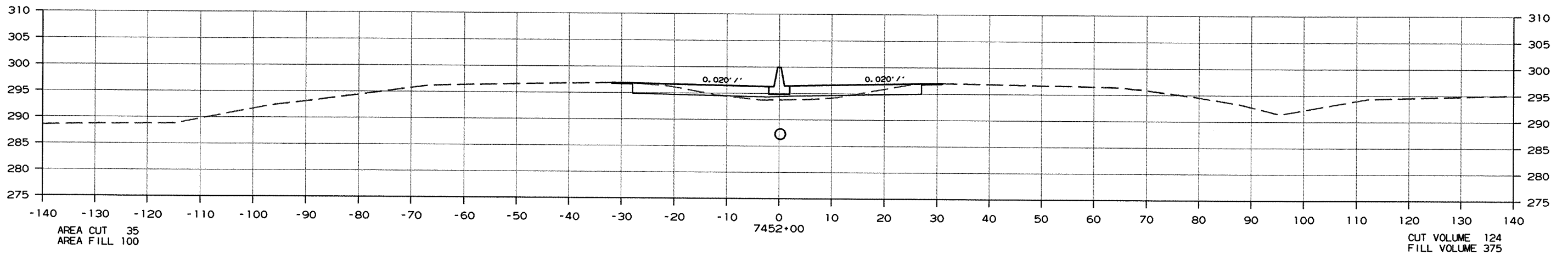
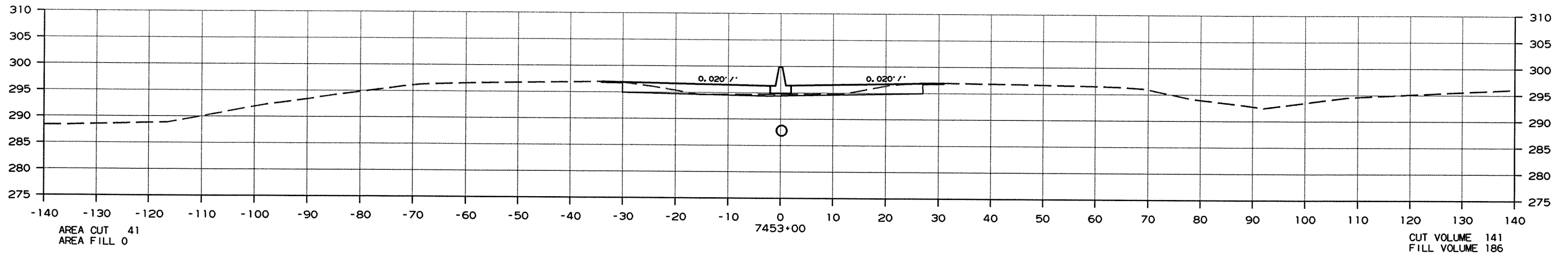
STA. 7448+00 CONSTRUCT
TYPE SPECIAL 1 DROP INLET IN MEDIAN
4' x 5' x H= 4' -2"
WITH 24" x 348' R. C. PIPE OUTLET
CONNECT TO D. I. @ STA. 7451+48



CROSS SECTION STA. 7448+00 TO STA. 7450+00

DATE REVISED	DATE FILMED	DATE REVISED	DATE FILMED	FED. RD. DIST. NO.	STATE	FED. AID PROJ. NO.	SHEET NO.	TOTAL SHEETS
				6	ARK.			
JOB NO. 080388							438	452

2 CROSS SECTIONS

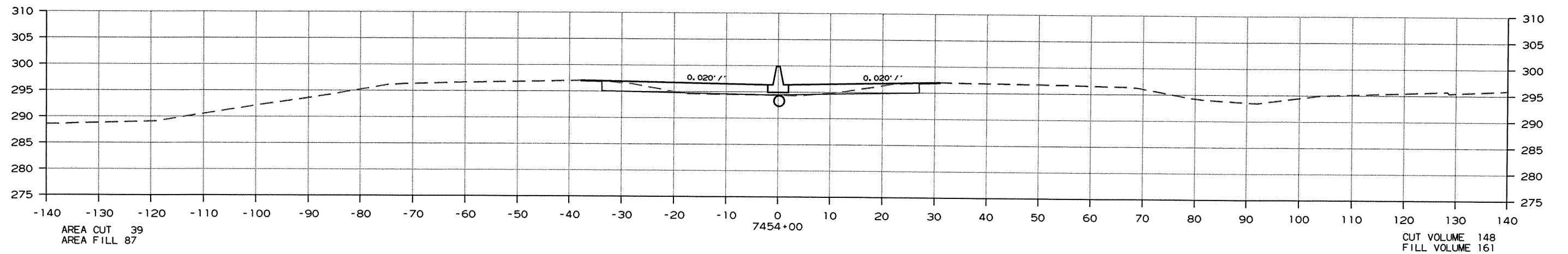
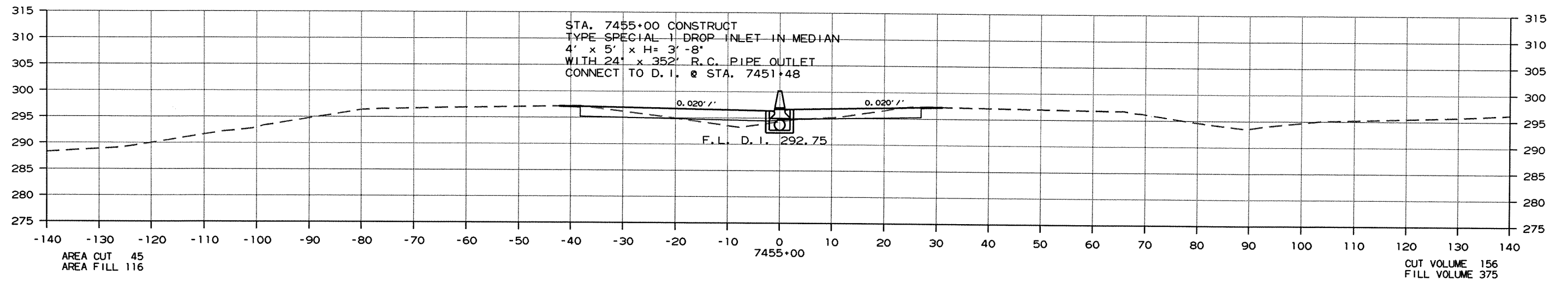
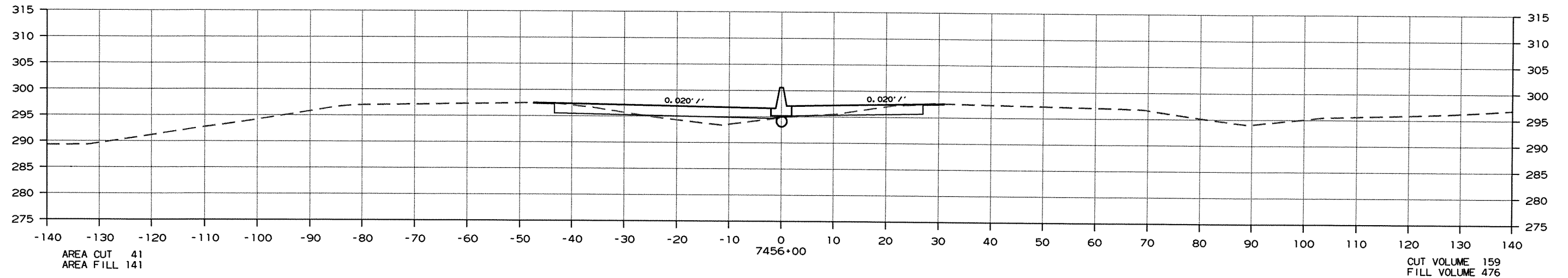


CROSS SECTION STA. 7451+00 TO STA. 7453+00

10/26/2011
FIX.DCN

DATE REVISED	DATE FILMED	DATE REVISED	DATE FILMED	FED. RD. DIST. NO.	STATE	FED. AID PROJ. NO.	SHEET NO.	TOTAL SHEETS
				6	ARK.			
						JOB NO. 080388	439	452

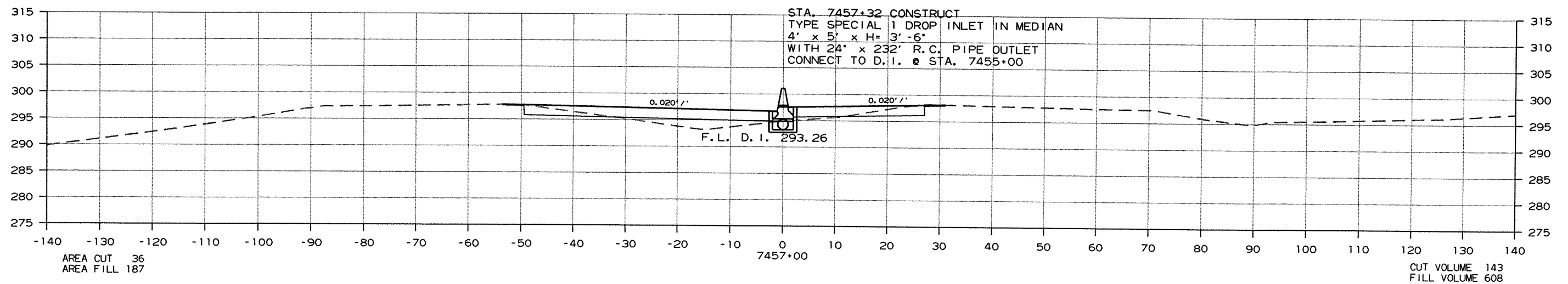
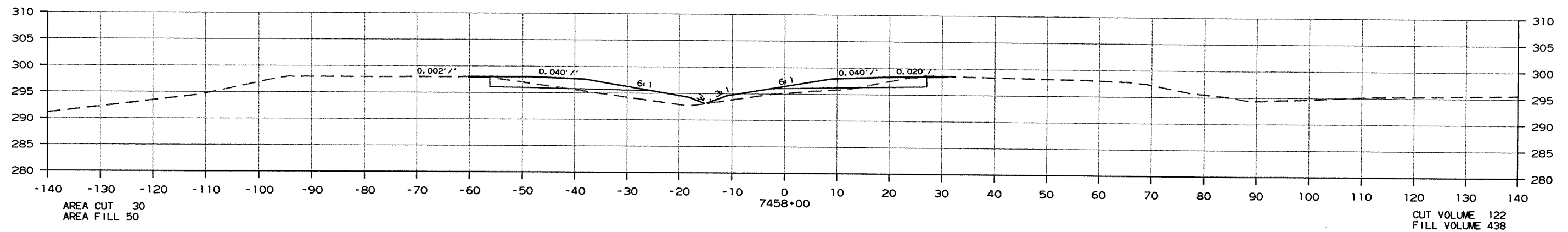
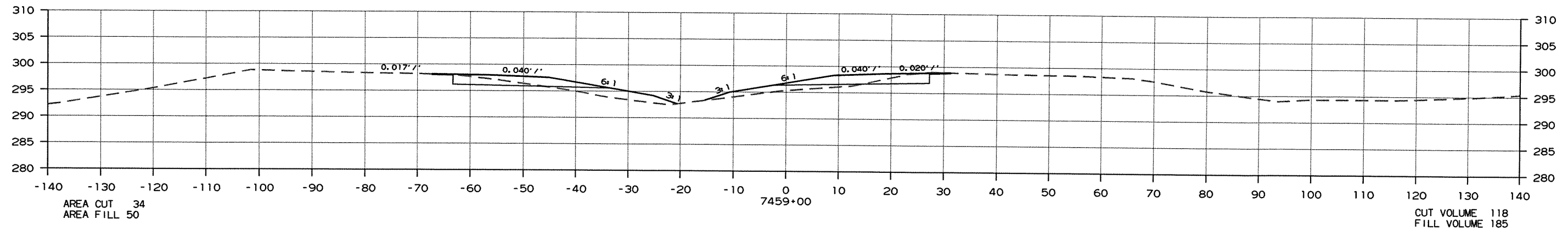
② CROSS SECTIONS



CROSS SECTION STA. 7454+00 TO STA. 7456+00

DATE REVISED	DATE FILMED	DATE REVISED	DATE FILMED	FED. RD. DIST. NO.	STATE	FED. AID PROJ. NO.	SHEET NO.	TOTAL SHEETS
				6	ARK.			
						JOB NO. 080388	440	452

2 CROSS SECTIONS

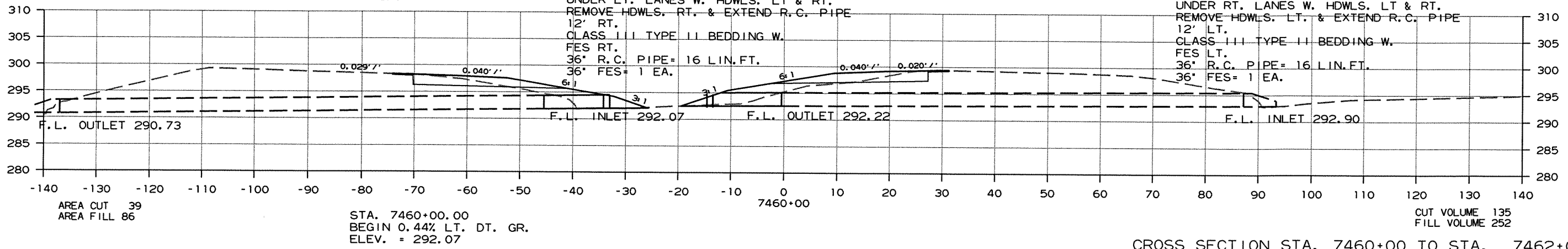
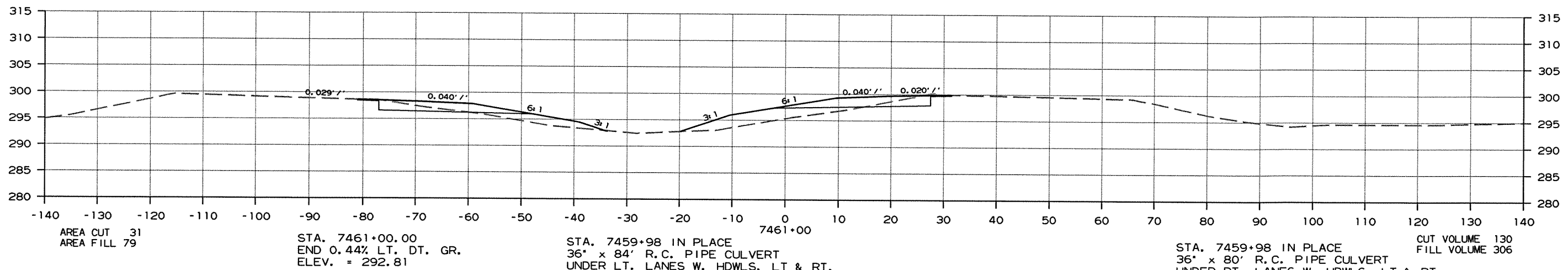
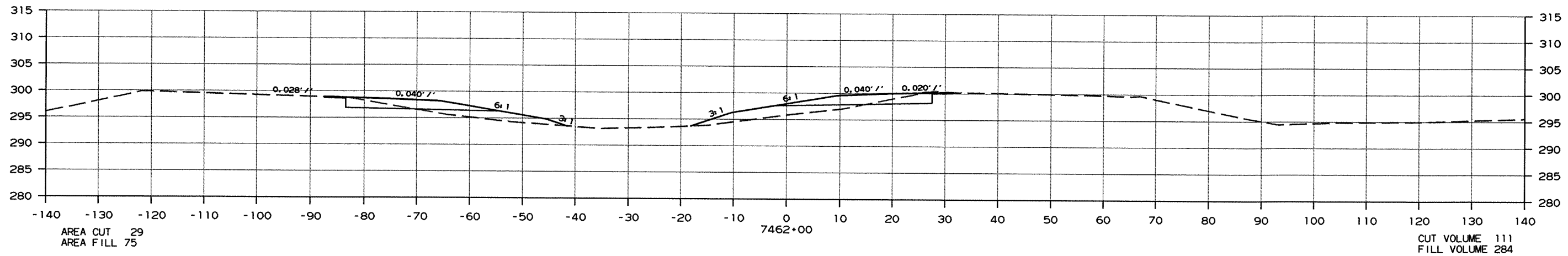


CROSS SECTION STA. 7457+00 TO STA. 7459+00

R080388.DGN 10/27/2011

DATE REVISED	DATE FILMED	DATE REVISED	DATE FILMED	FED. RD. DIST. NO.	STATE	FED. AID PROJ. NO.	SHEET NO.	TOTAL SHEETS
				6	ARK.			
						JOB NO. 080388	441	452

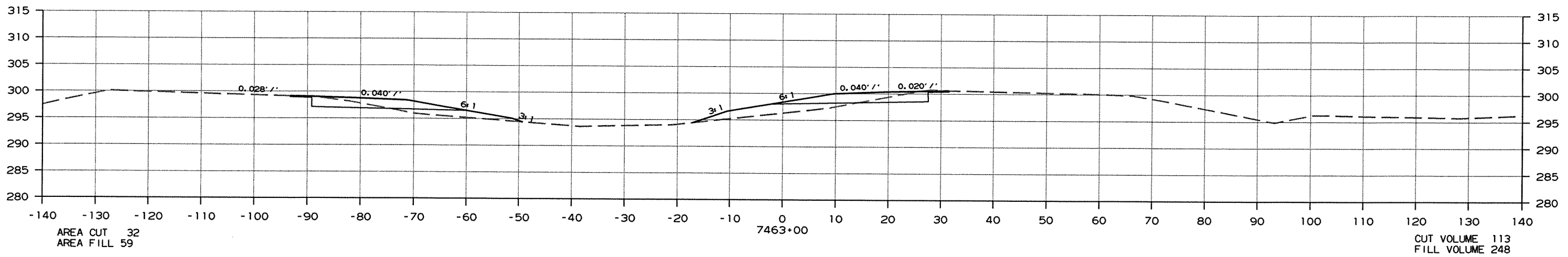
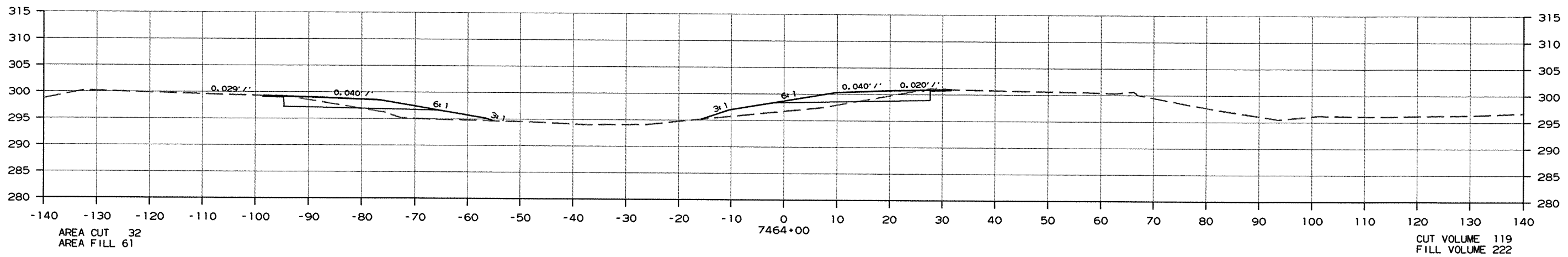
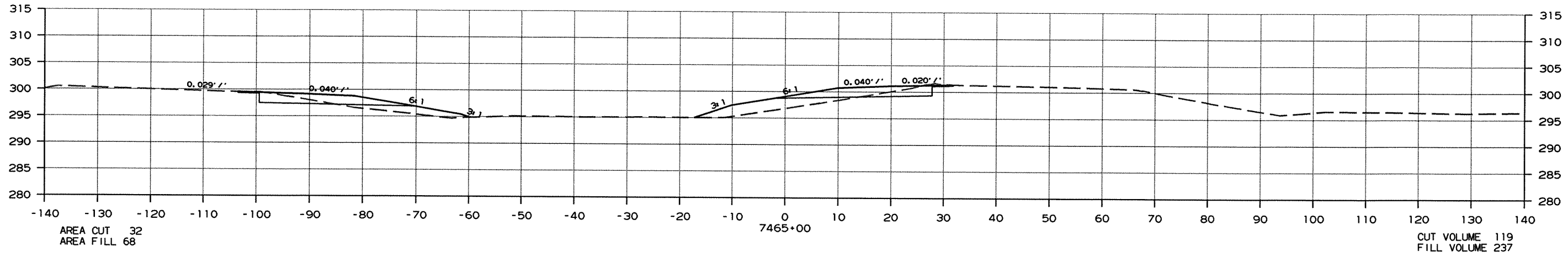
2 CROSS SECTIONS



10/26/2011
FIX.DGN

DATE REVISED	DATE FILMED	DATE REVISED	DATE FILMED	FED. RD. DIST. NO.	STATE	FED. AID PROJ. NO.	SHEET NO.	TOTAL SHEETS
				6	ARK.			
				JOB NO.	080388		442	452

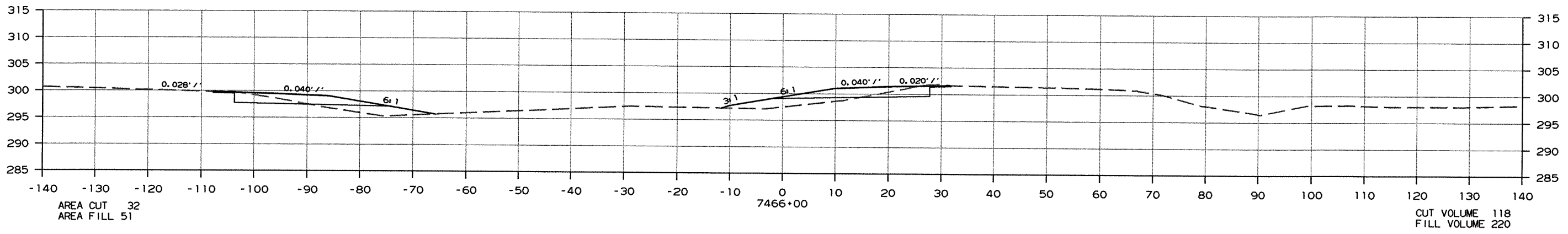
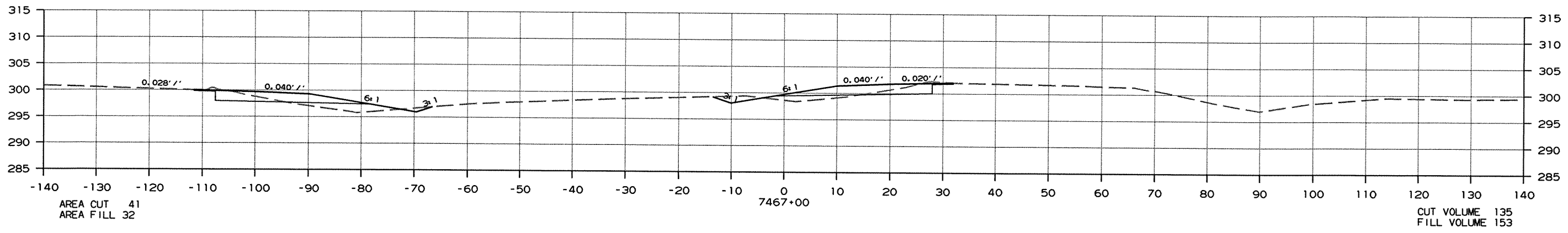
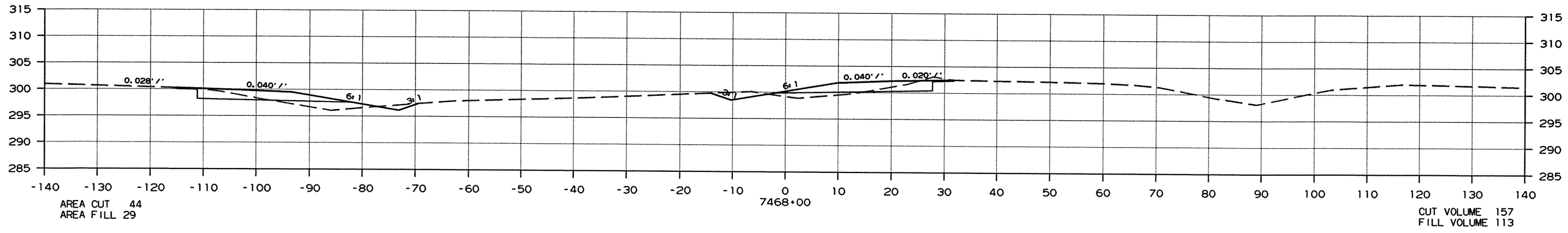
② CROSS SECTIONS



CROSS SECTION STA. 7463+00 TO STA. 7465+00

DATE REVISED	DATE FILMED	DATE REVISED	DATE FILMED	FED. RD. DIST. NO.	STATE	FED. AID PROJ. NO.	SHEET NO.	TOTAL SHEETS
				6	ARK.			
						JOB NO. 080388	443	452

② CROSS SECTIONS

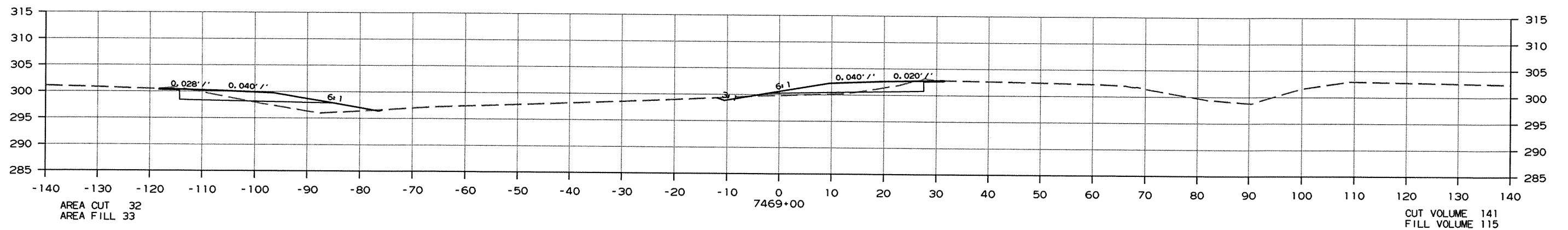
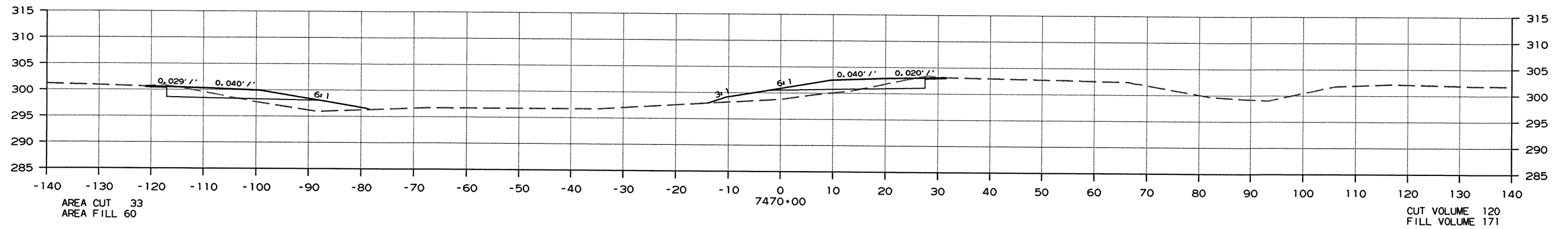
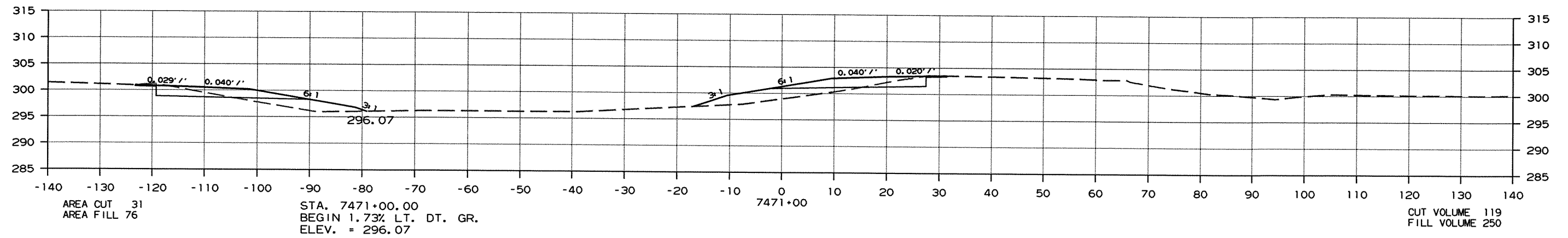


CROSS SECTION STA. 7466+00 TO STA. 7468+00

10/26/2011
FIX.DGN

DATE REVISED	DATE FILMED	DATE REVISED	DATE FILMED	FED. RD. DIST. NO.	STATE	FED. AID PROJ. NO.	SHEET NO.	TOTAL SHEETS
				6	ARK.			
				JOB NO. 080388			444	452

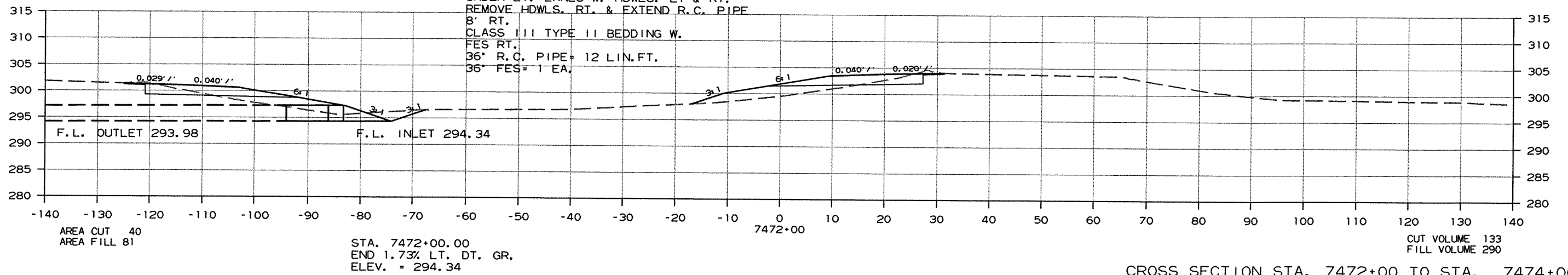
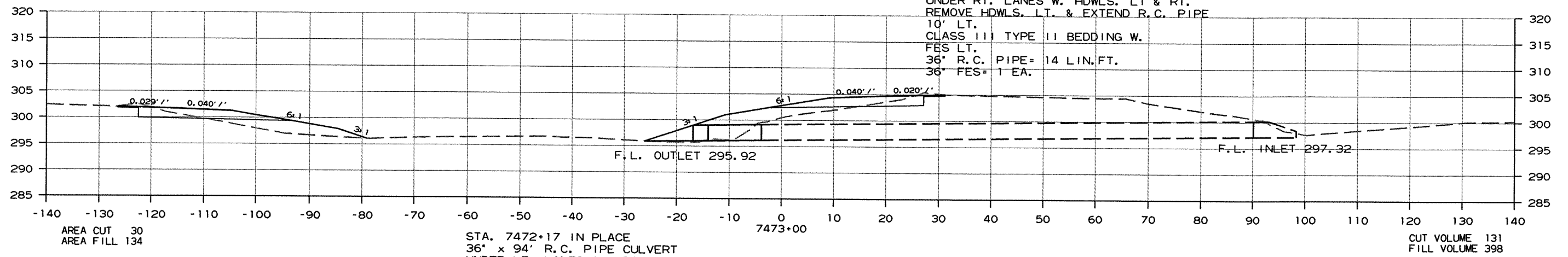
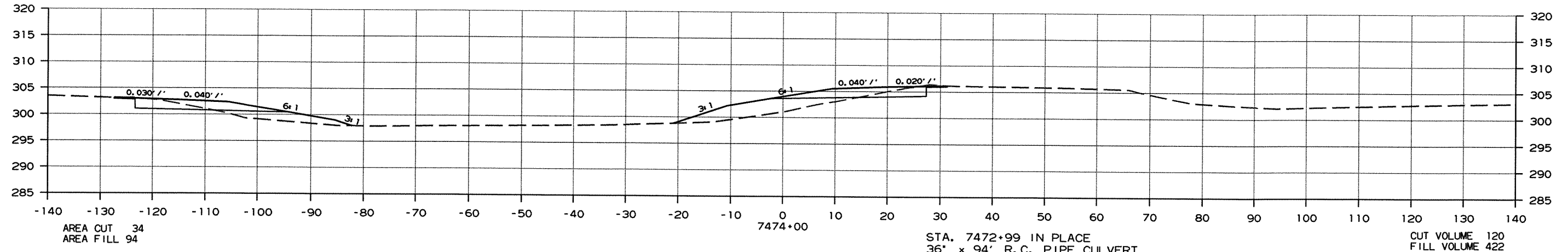
② CROSS SECTIONS



CROSS SECTION STA. 7469+00 TO STA. 7471+00

DATE REVISED	DATE FILMED	DATE REVISED	DATE FILMED	FED. RD. DIST. NO.	STATE	FED. AID PROJ. NO.	SHEET NO.	TOTAL SHEETS
				6	ARK.			
JOB NO. 080388							445	452

② CROSS SECTIONS

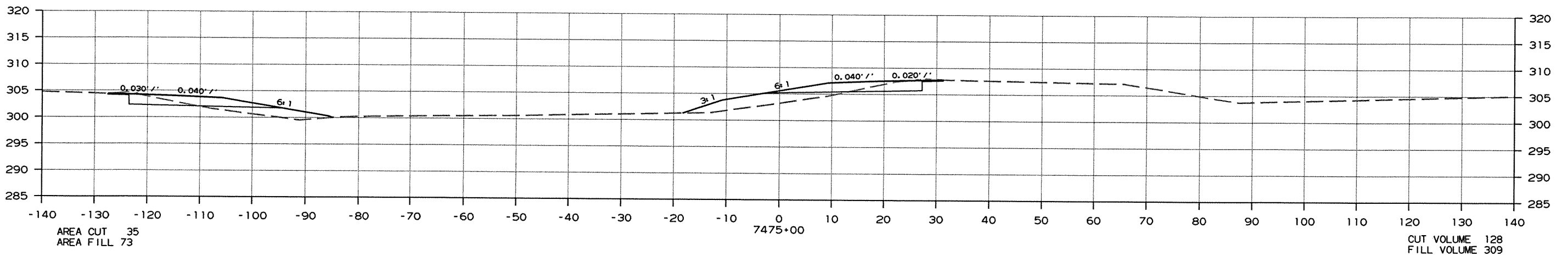
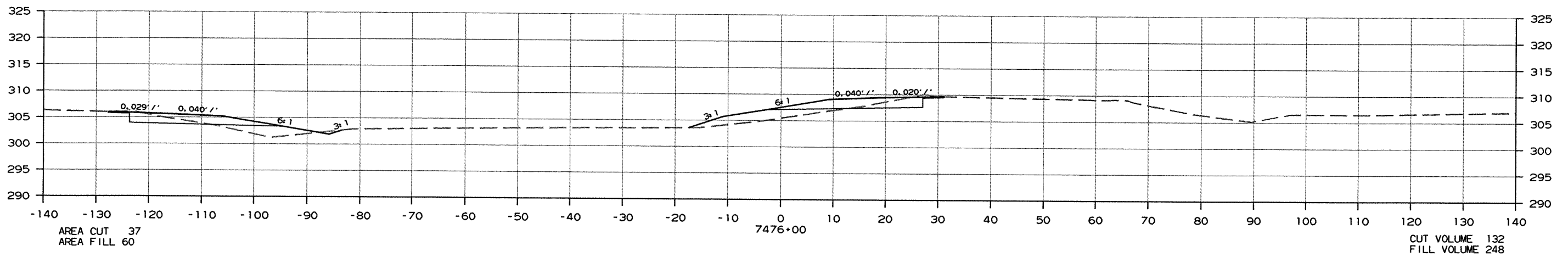
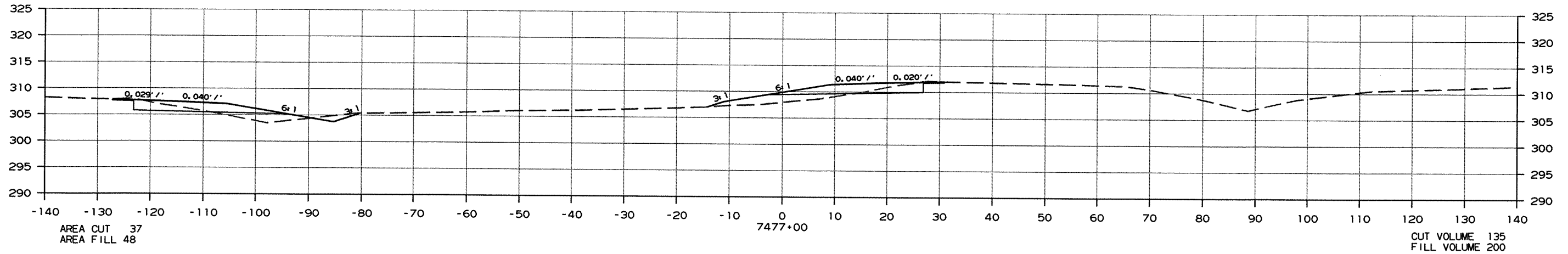


CROSS SECTION STA. 7472+00 TO STA. 7474+00

FIX.DGN 10/26/2011

DATE REVISED	DATE FILMED	DATE REVISED	DATE FILMED	FED. RD. DIST. NO.	STATE	FED. AID PROJ. NO.	SHEET NO.	TOTAL SHEETS
				6	ARK.			
						JOB NO. 080388	446	452

2 CROSS SECTIONS

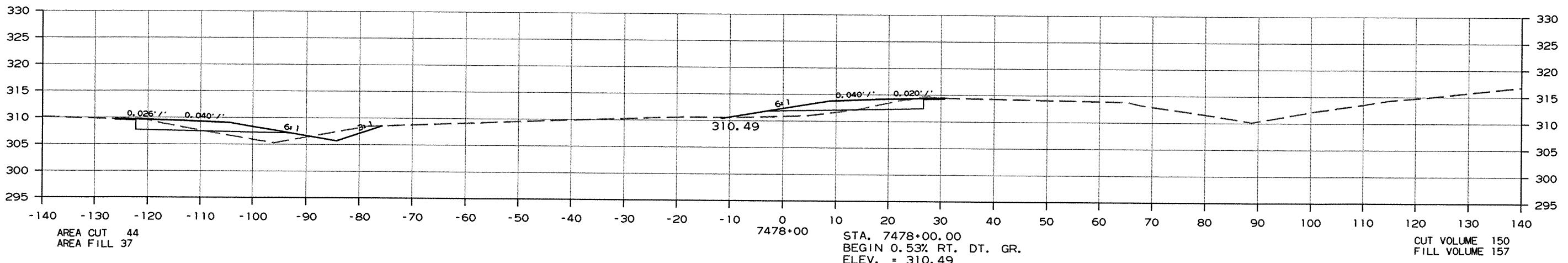
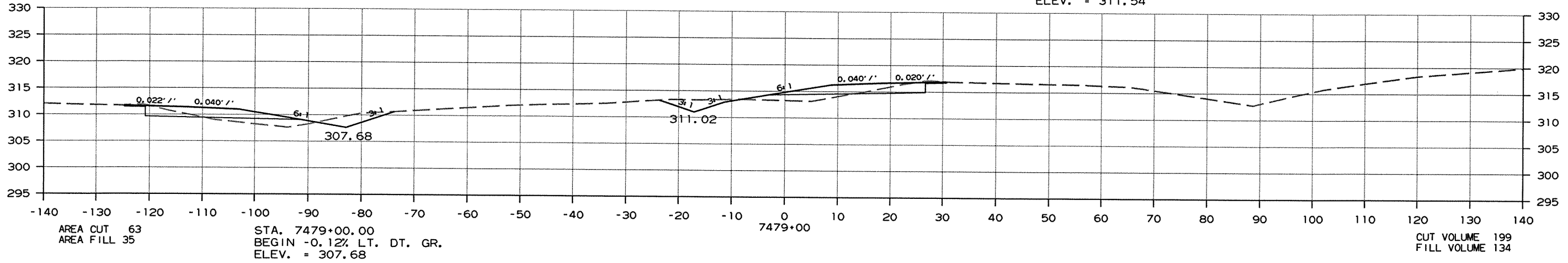
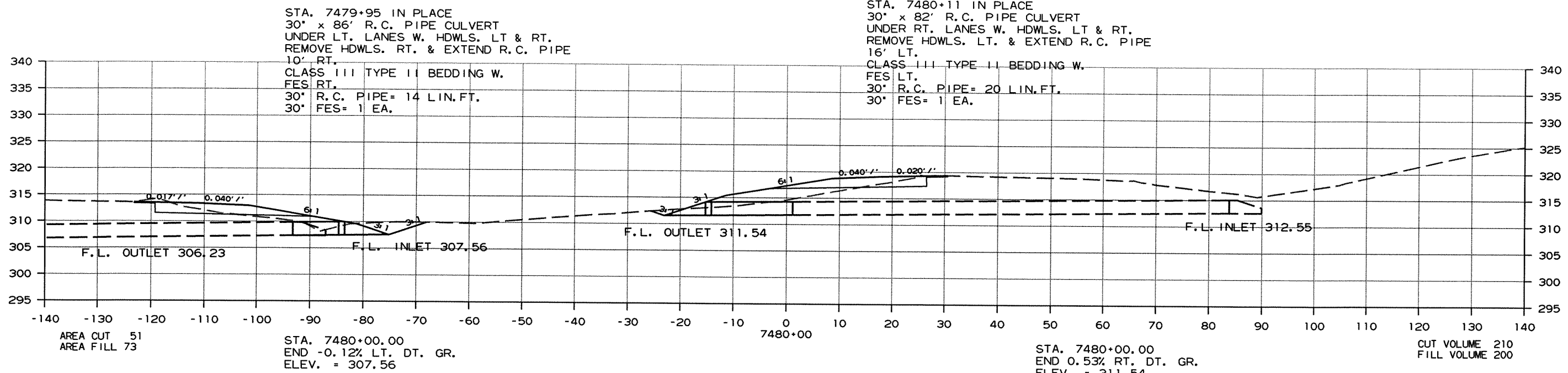


CROSS SECTION STA. 7475+00 TO STA. 7477+00

10/26/2011
FIX.DGN

DATE REVISED	DATE FILMED	DATE REVISED	DATE FILMED	FED. RD. DIST. NO.	STATE	FED. AID PROJ. NO.	SHEET NO.	TOTAL SHEETS
				6	ARK.			
JOB NO. 080388							447	452

2 CROSS SECTIONS

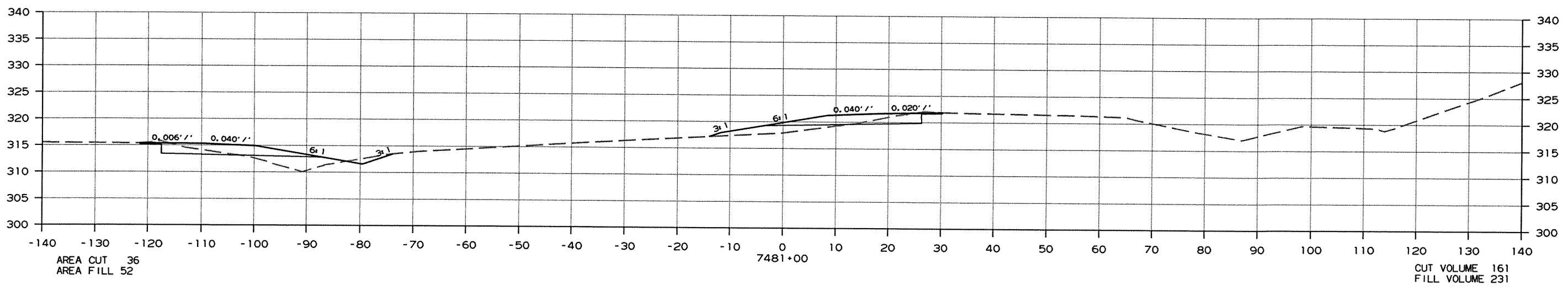
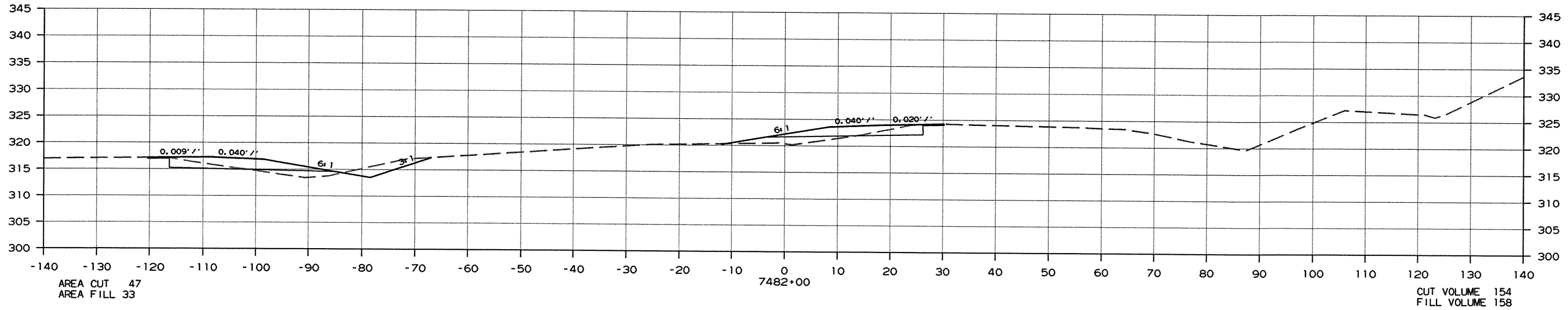


CROSS SECTION STA. 7478+00 TO STA. 7480+00

10/26/2011 FIX.DGN

DATE REVISED	DATE FILMED	DATE REVISED	DATE FILMED	FED. RD. DIST. NO.	STATE	FED. AID PROJ. NO.	SHEET NO.	TOTAL SHEETS
				6	ARK.			
				JOB NO.	080388		448	452

② CROSS SECTIONS

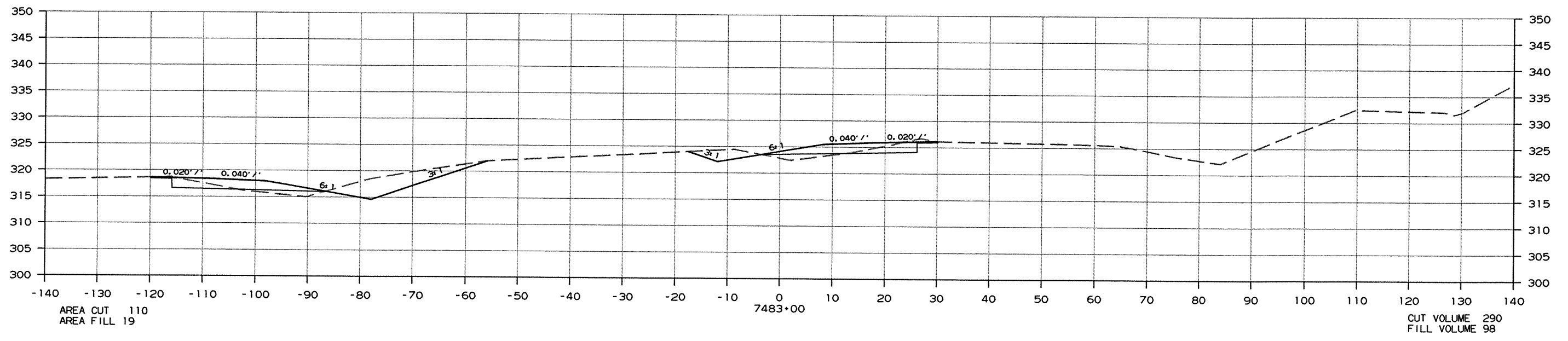
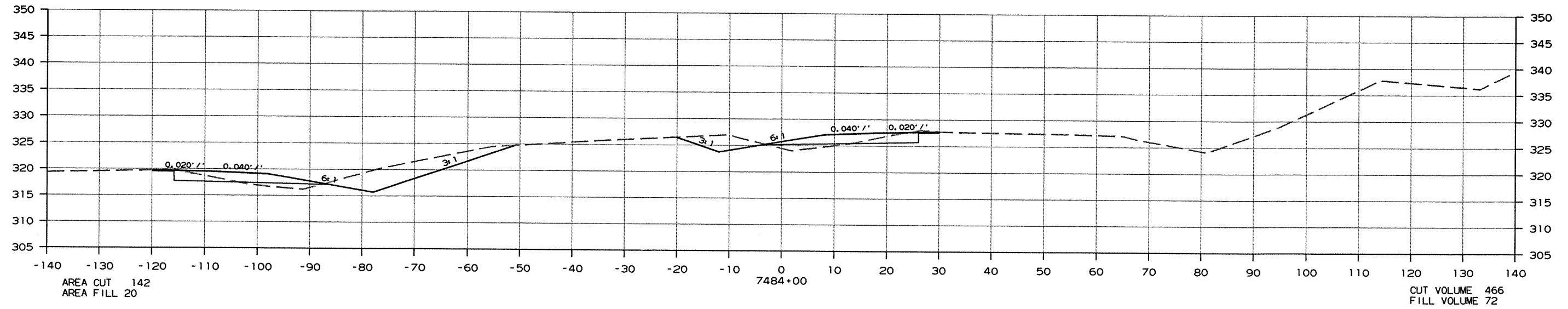


CROSS SECTION STA. 7481+00 TO STA. 7482+00

10/26/2011
FIX.DGN

DATE REVISED	DATE FILMED	DATE REVISED	DATE FILMED	FED. RD. DIST. NO.	STATE	FED. AID PROJ. NO.	SHEET NO.	TOTAL SHEETS
				6	ARK.			
				JOB NO.	080388		449	452

② CROSS SECTIONS

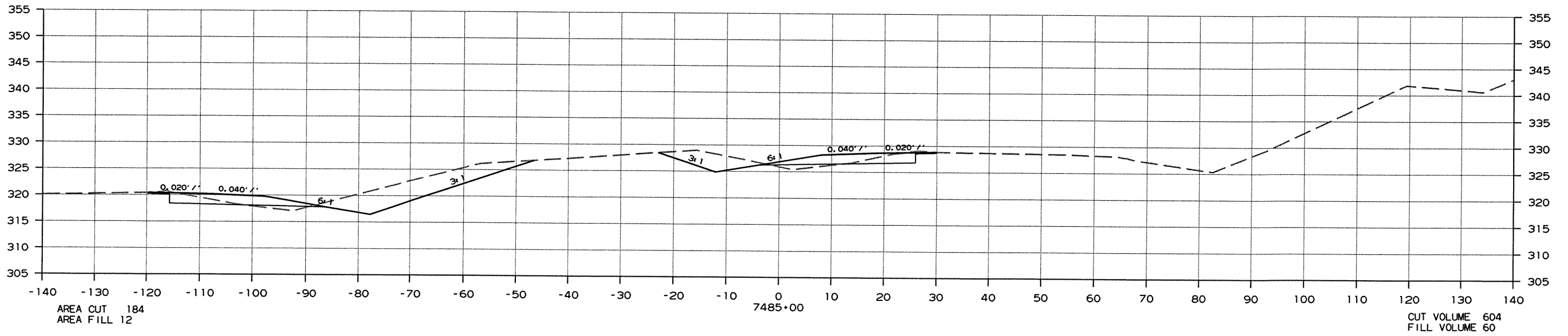
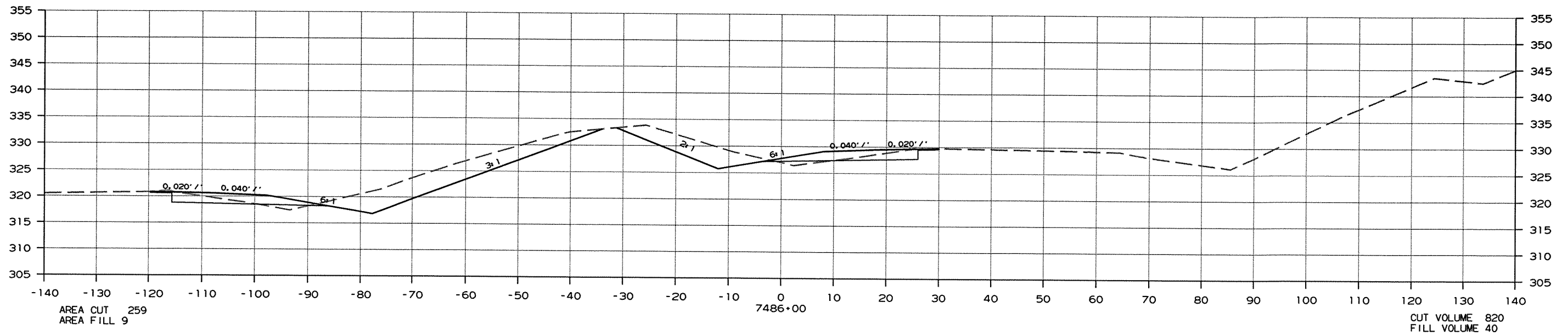


CROSS SECTION STA. 7483+00 TO STA. 7484+00

10/26/2011
FIX.DGN

DATE REVISED	DATE FILMED	DATE REVISED	DATE FILMED	FED. RD. DIST. NO.	STATE	FED. AID PROJ. NO.	SHEET NO.	TOTAL SHEETS
				6	ARK.			
						JOB NO. 080388	450	452

② CROSS SECTIONS

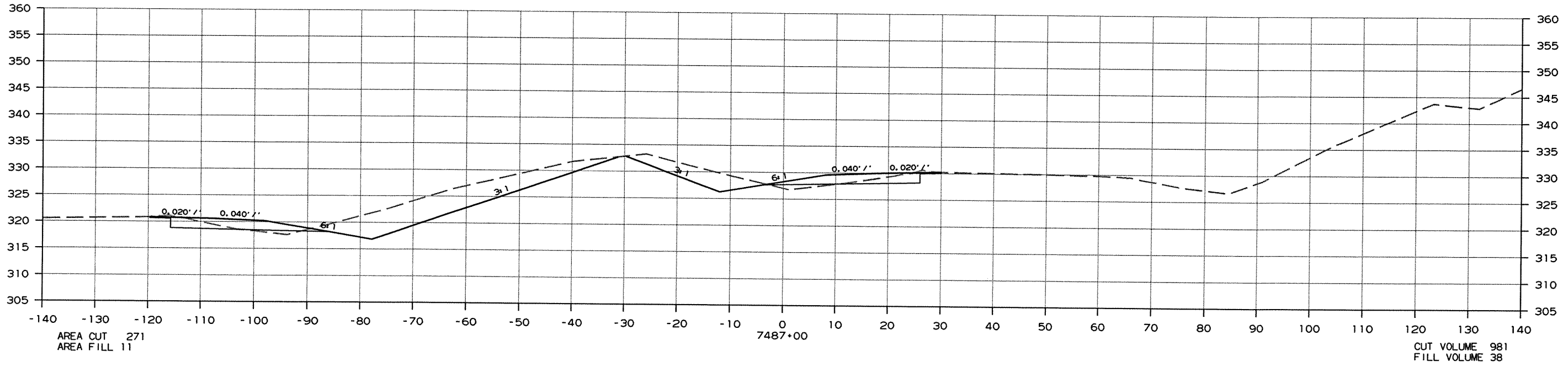
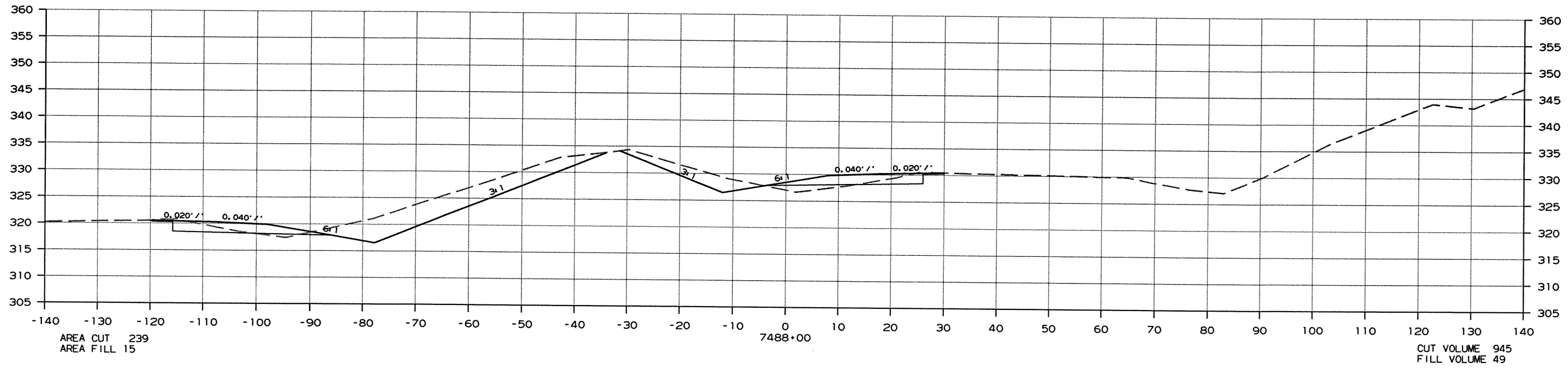


CROSS SECTION STA. 7485+00 TO STA. 7486+00

FIX.DGN 10/26/2011

DATE REVISED	DATE FILMED	DATE REVISED	DATE FILMED	FED. RD. DIST. NO.	STATE	FED. AID PROJ. NO.	SHEET NO.	TOTAL SHEETS
				6	ARK.			
						JOB NO. 080388	451	452

② CROSS SECTIONS

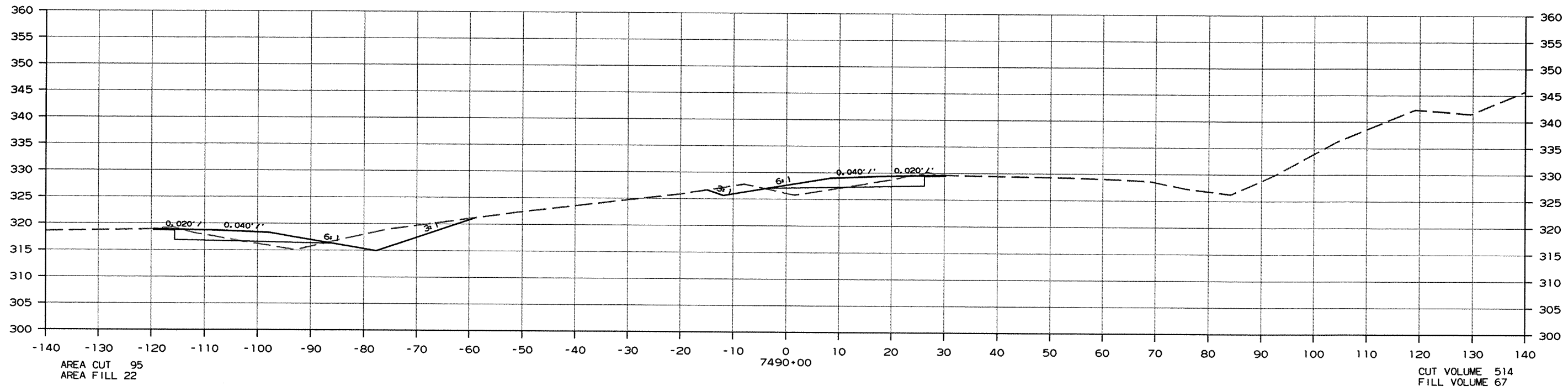


CROSS SECTION STA. 7487+00 TO STA. 7488+00

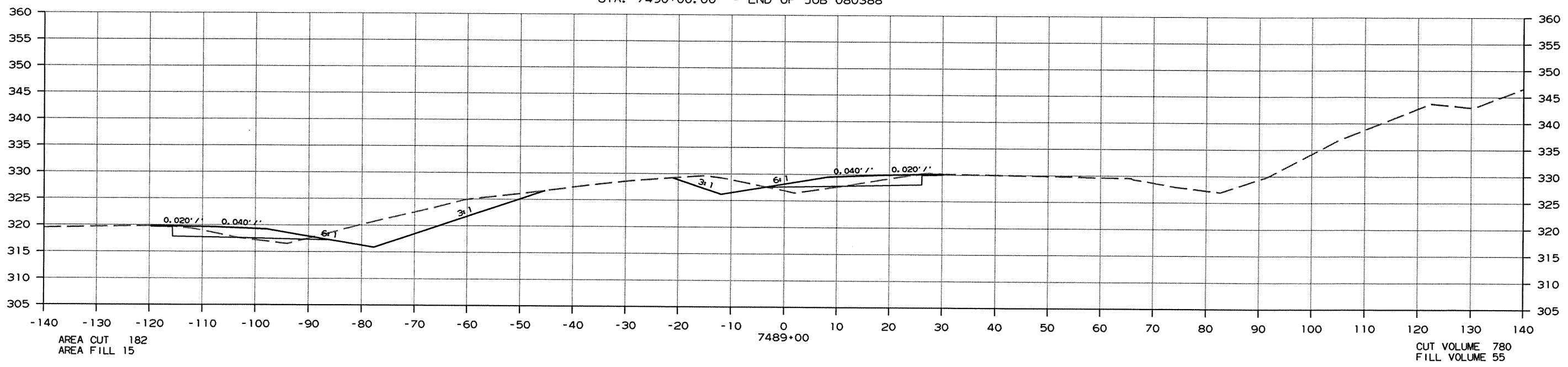
10/26/2011
FIX.DGN

DATE REVISED	DATE FILMED	DATE REVISED	DATE FILMED	FED. RD. DIST. NO.	STATE	FED. AID PROJ. NO.	SHEET NO.	TOTAL SHEETS
				6	ARK.			
						JOB NO. 080388	452	452

② CROSS SECTIONS



STA. 7490+00.00 - END OF JOB 080388



CROSS SECTION STA. 7489+00 TO STA. 7490+00

FIX-DGN 10/26/2011