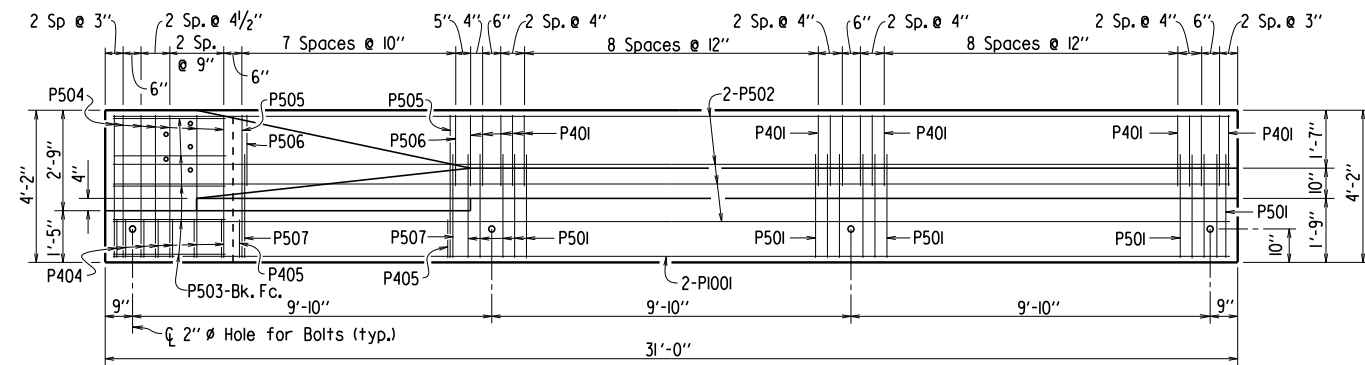
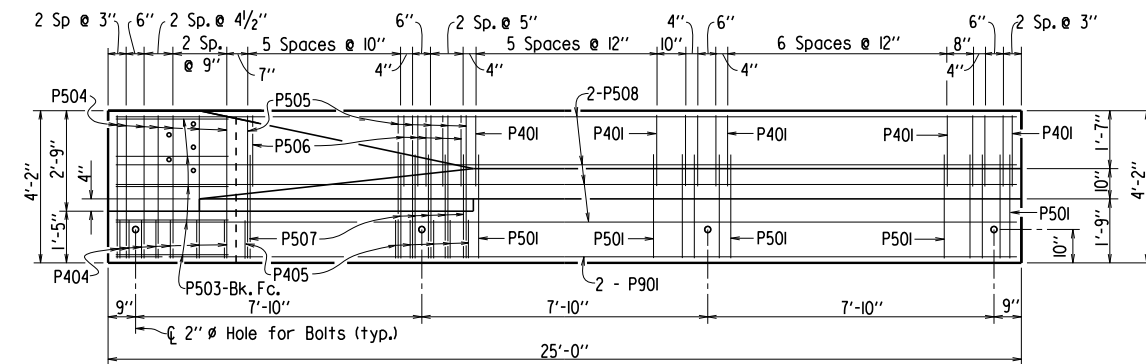


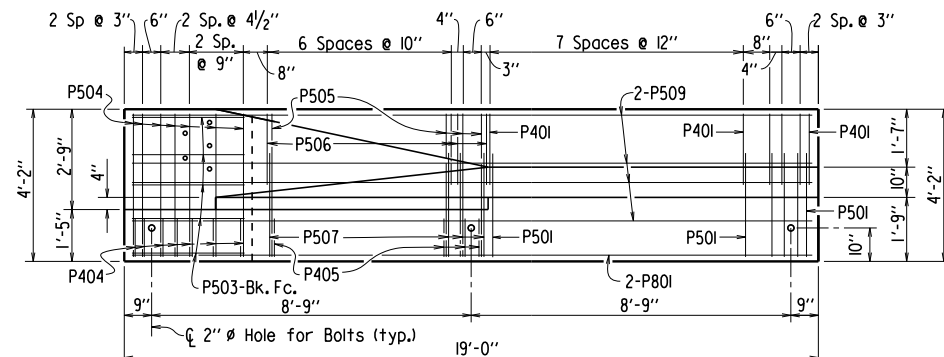
DATE REVISED	DATE FILMED	DATE REVISED	DATE FILMED	FED. ROAD DIST. NO.	STATE	FED. AID PROJ. NO.	SHEET NO.	TOTAL SHEETS
				6	ARK.			
				JOB NO.				
1 PRECAST RAIL DETAILS - 55083								



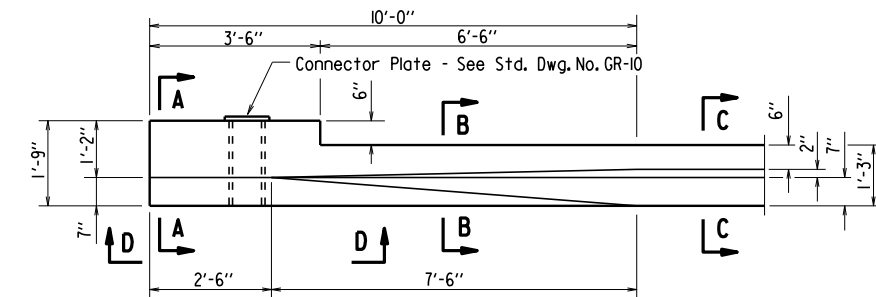
FRONT ELEVATION - PRECAST PARAPET RAIL FOR 31'-0" END SPAN
3/8" = 1'-0"



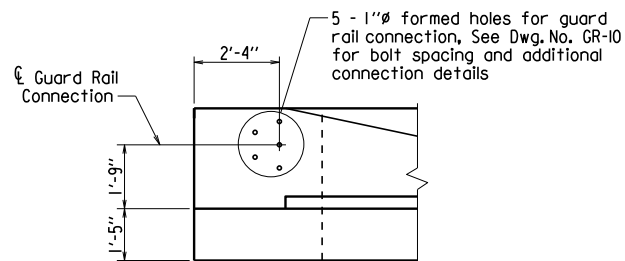
FRONT ELEVATION - PRECAST PARAPET RAIL FOR 25'-0" END SPAN
3/8" = 1'-0"



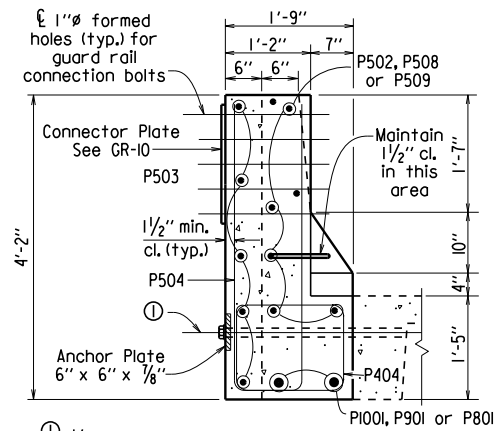
FRONT ELEVATION - PRECAST PARAPET RAIL FOR 19'-0" END SPAN
3/8" = 1'-0"



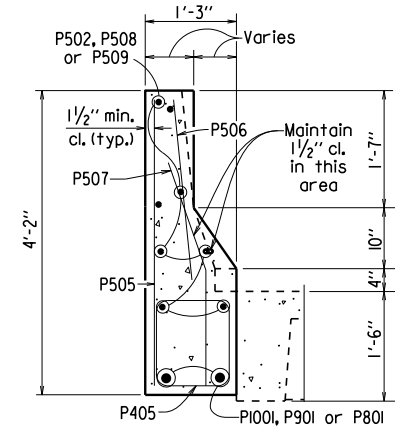
TYPICAL PLAN OF PRECAST PARAPET RAIL FOR END SPAN
1/2" = 1'-0"



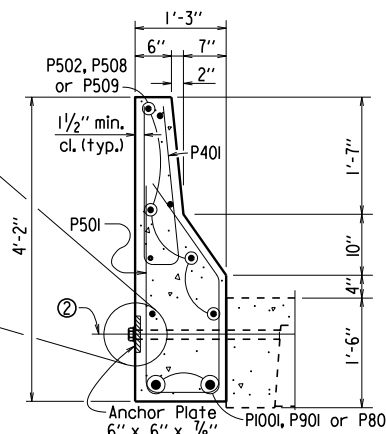
VIEW D-D
3/8" = 1'-0"



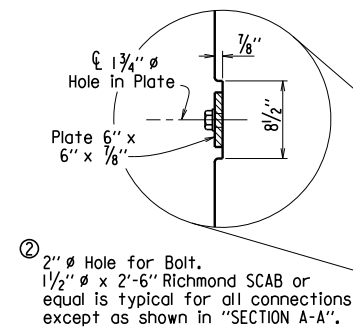
SECTION A-A
3/4" = 1'-0"



SECTION B-B
(Shown near midspan)
3/4" = 1'-0"



SECTION C-C
(Shown near midspan)
3/4" = 1'-0"

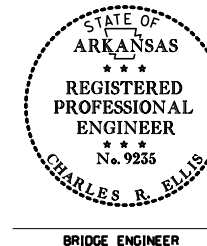


2" Hole for Bolt. 1 1/2" x 2'-6" Richmond SCAB or equal is typical for all connections except as shown in "SECTION A-A".

BAR LIST - PER END SPAN PARAPET RAIL

MARK	NUMBER REQUIRED			LENGTH	PIN DIA.	BENDING DIAGRAMS Dimensions are out to out of bars.
	19'-0" RAIL	25'-0" RAIL	31'-0" RAIL			
P401	12	20	30	4'-8"	2"	
P404	7	7	7	5'-8"	2"	
P405	9	10	8	4'-8"	2"	
P501	12	20	30	7'-3"	2 1/2"	
P502			8	30'-8"	Str.	
P503	5	5	5	3'-3"	Str.	
P504	7	7	7	8'-6"	2 1/2"	
P505	9	10	8	3'-11"	Str.	
P506	9	10	8	2'-2"	Str.	
P507	9	10	8	2'-10"	2 1/2"	
P508			8	24'-8"	Str.	
P509	8			18'-8"	Str.	
P801	2			18'-8"	Str.	
P901		2		24'-8"	Str.	
PI001			2	30'-8"	Str.	

NOTE: This drawing is to be used with Dwg. No. 55080, 55081 and/or 55082 of which all three contain details and general notes pertaining to this drawing.



STANDARD DETAILS FOR PRECAST PARAPET RAILS 19'-0", 25'-0" AND 31'-0" PRECAST END SPANS

ARKANSAS STATE HIGHWAY COMMISSION

LITTLE ROCK, ARK.

DRAWN BY: KDH DATE: 1-26-15 FILENAME: b55083.dgn
CHECKED BY: KKY DATE: 2-4-16 SCALE: AS NOTED
DESIGNED BY: STD. DATE:

BRIDGE ENGINEER

DRAWING NO. 55083

This document was originally issued and sealed by Charles R. Ellis, PE No. 9235, on February 25, 2016. This copy is not a signed and sealed document.