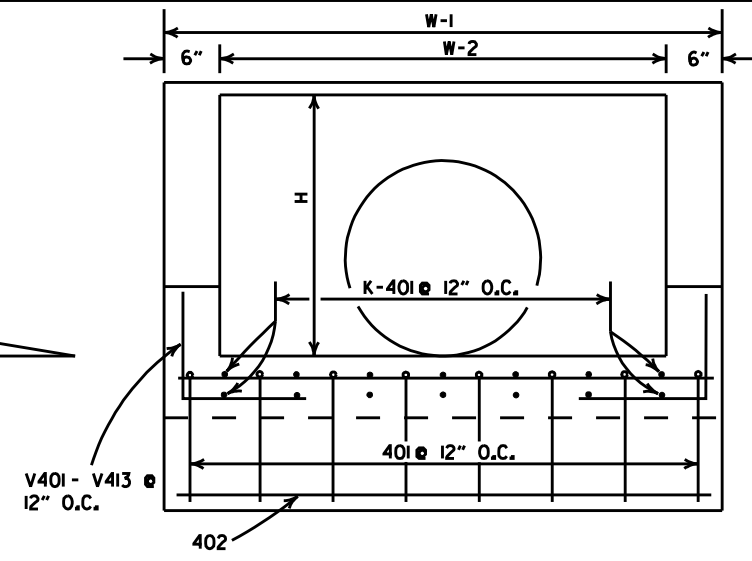
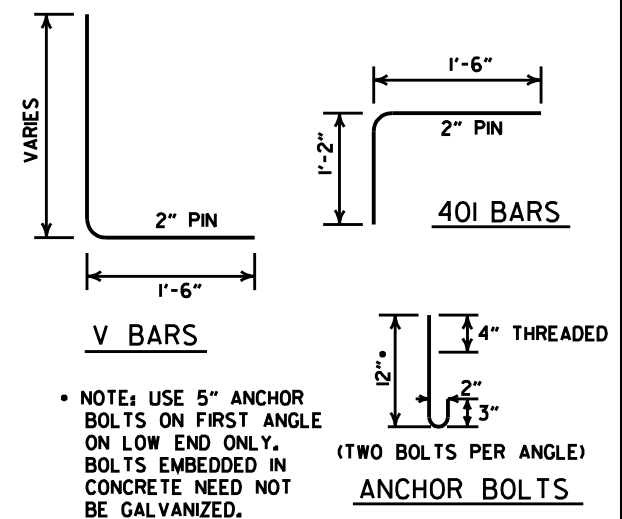


SIDE ELEVATION

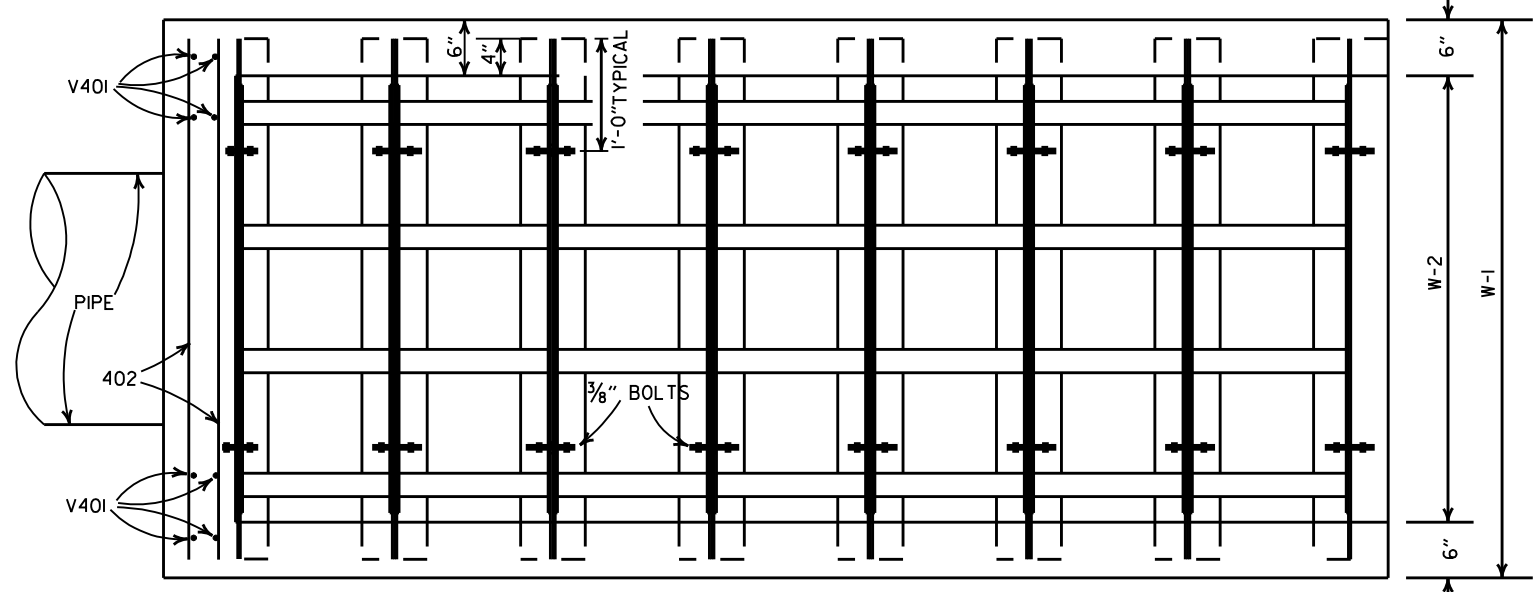


END ELEVATION



BENDING DIAGRAM

(DIMENSIONS ARE OUTSIDE TO OUTSIDE)



PLAN

QUANTITIES & DIMENSIONS - ONE GRATE COMPLETE

PIPE DIA.	W - 1	W - 2	L	S	H	PANEL SIZE	NUMBER OF PANELS	ANGLE DIMEN. D	APPROX. CONC. QUANT. CU. YDS.
36"	7'-0"	6'-0"	18'-6"	18'-9"	3'-8"	2'-11/2" x 5'-10"	6	4" x 4" x 3/8"	4.55
42"	7'-0"	6'-0"	21'-7"	21'-10/2"	4'-2"	2'-11/2" x 5'-10"	7	4" x 4" x 3/8"	5.37
48"	7'-0"	6'-0"	24'-8"	25'-0"	4'-8"	2'-11/2" x 5'-10"	8	4" x 4" x 3/8"	6.23

BAR LISTS - ONE HEADWALL

36" PIPE

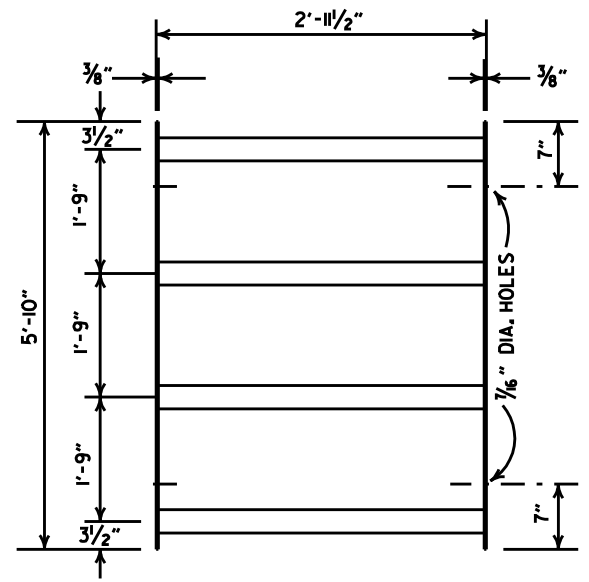
MARK	LENGTH	NO.
401	2'-8"	8
402	6'-8"	42
K401	18'-2"	14
K402	10'-3"	2
K403	16'-3"	2
K404	4'-3"	2
V401	5'-5"	10
V402	5'-1"	2
V403	4'-11"	2
V404	4'-9"	2
V405	4'-7"	2
V406	4'-5"	2
V407	4'-3"	2
V408	4'-1"	2
V409	3'-11"	2
V410	3'-9"	2
V411	3'-7"	2
V412	3'-5"	2
V413	3'-3"	2
V414	3'-1"	2
V415	2'-11"	2
V416	2'-9"	2
V417	2'-7"	2
V418	2'-5"	2
V419	2'-3"	2

42" PIPE

MARK	LENGTH	NO.
401	2'-8"	8
402	6'-8"	48
K401	21'-3"	14
K402	19'-3"	2
K403	13'-3"	2
K404	7'-3"	2
K405	1'-3"	2
V401	5'-11"	10
V402	5'-7"	2
V403	5'-5"	2
V404	5'-3"	2
V405	5'-1"	2
V406	4'-11"	2
V407	4'-9"	2
V408	4'-7"	2
V409	4'-5"	2
V410	4'-3"	2
V411	4'-1"	2
V412	3'-11"	2
V413	3'-9"	2
V414	3'-7"	2
V415	3'-5"	2
V416	3'-3"	2
V417	3'-1"	2
V418	2'-11"	2
V419	2'-9"	2
V420	2'-7"	2
V421	2'-5"	2
V422	2'-3"	2

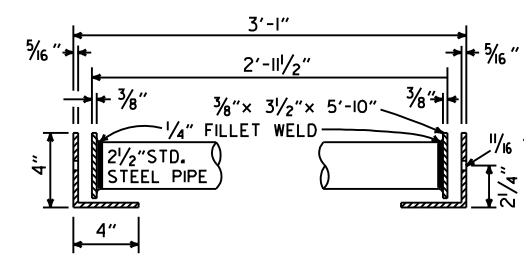
48" PIPE

MARK	LENGTH	NO.
401	2'-8"	8
402	6'-8"	54
K401	24'-4"	14
K402	22'-3"	2
K403	16'-3"	2
K404	10'-3"	2
K405	4'-3"	2
V401	6'-5"	10
V402	6'-1"	2
V403	5'-11"	2
V404	5'-9"	2
V405	5'-7"	2
V406	5'-5"	2
V407	5'-3"	2
V408	5'-1"	2
V409	4'-11"	2
V410	4'-9"	2
V411	4'-7"	2
V412	4'-5"	2
V413	4'-3"	2
V414	4'-1"	2
V415	3'-11"	2
V416	3'-9"	2
V417	3'-7"	2
V418	3'-5"	2
V419	3'-3"	2
V420	3'-1"	2
V421	2'-11"	2
V422	2'-9"	2
V423	2'-7"	2
V424	2'-5"	2
V425	2'-3"	2



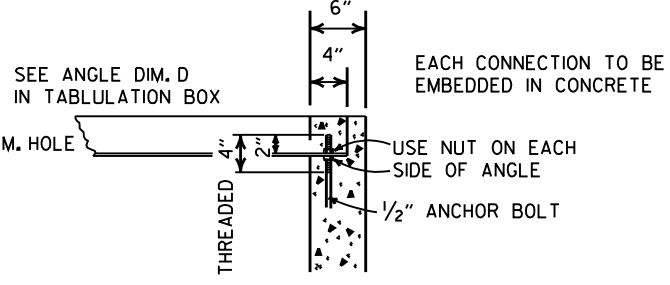
STANDARD GRATE PANEL

NOTE: 2 1/2" STANDARD STEEL PIPE TO BE VENTED FOR GALVANIZING.



TYPICAL SECTION

FURNISH WASHERS WITH BOLTS



DETAIL OF ANGLE CONNECTION

DATE	REVISION	DATE FILMED
8-15-91	REVISED GRATE PANEL	8-15-91
2-16-89	ADDED (TYPE II) TO TITLE	582-2-16-89
7-15-88	CHANGED TITLE	642-7-15-88
5-22-74	W-1 & W-2 CORRECTED ON PLAN VIEW	568-5-22-74
11-1-73	ADDED NOTE RE: WASHER AT TYP. SECT.	504-11-1-73
10-2-72	REVISED & REDRAWN	761-10-2-72

ARKANSAS STATE HIGHWAY COMMISSION

STEEL GRATE ASSEMBLY (TYPE I)

STANDARD DRAWING G-2