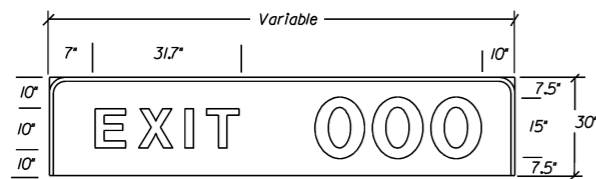
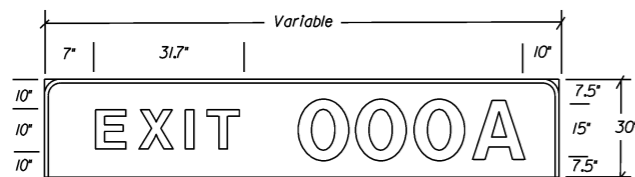


TYPE A



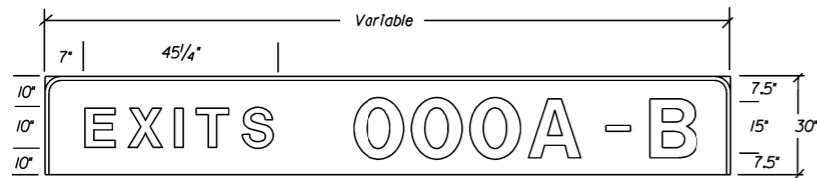
EXIT WITH 1 DIGIT 84\"/>

TYPE B



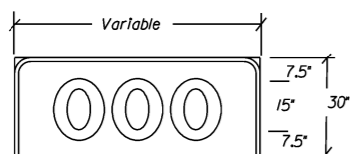
EXIT WITH 1 DIGIT PLUS 'A' OR 'B' 96\"/>

TYPE C



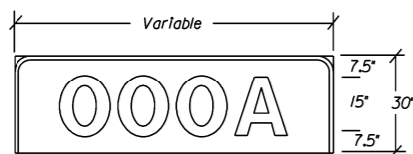
EXITS WITH 1 DIGIT PLUS 'A' & 'B' 132\"/>

TYPE D



1 DIGIT 24\"/>

TYPE E

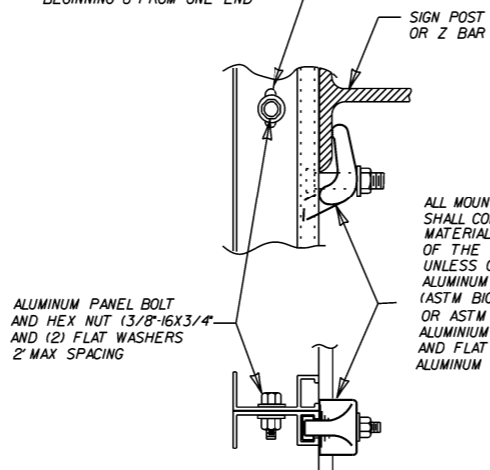


1 DIGIT PLUS 'A' OR 'B' 42\"/>

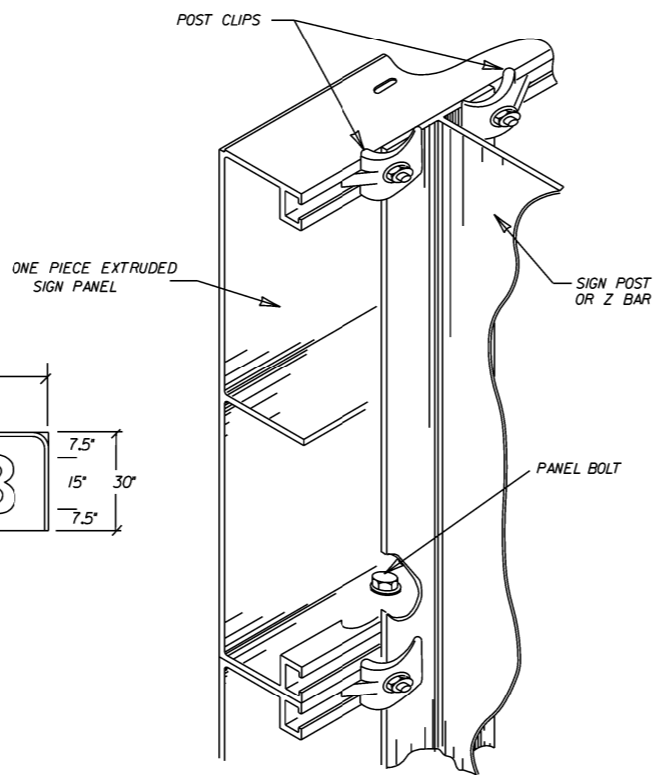
EXIT PANEL DETAILS

NOTE: EXIT NUMBER PANELS SHALL HAVE WHITE LEGENDS AND BORDERS. THE BACK GROUND COLOR WILL BE AS USE SPECIFIES. SHEETING TYPE WILL BE THE SAME AS THE GUIDE SIGN WHICH THE EXIT PANEL IS ATTACHED OR AS SPECIFIED IN THE PLANS. PAYMENT FOR ALL POST CLIPS, BOLTS, AND ANGLES SHALL BE SUBSIDIARY TO THE ITEM 'EXIT NUMBER PANEL'.

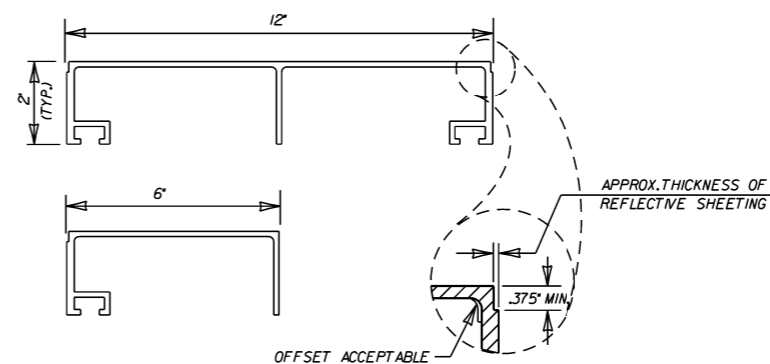
SLOTTED HOLES (7/16\"/>



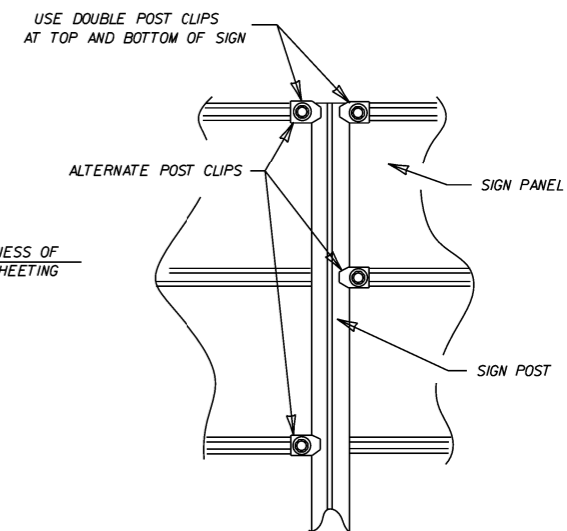
ALL MOUNTING HARDWARE SHALL COMPLY WITH THE MATERIALS SECTION OF 724 OF THE STANDARD SPECIFICATIONS UNLESS OTHERWISE SPECIFIED.  
ALUMINUM POST CLIP (ASTM B108 ALLOY 356-T6) OR ASTM B26 ALLOY 356-T6)  
ALUMINUM POST CLIP BOLT AND FLAT WASHER (3/8\"/>



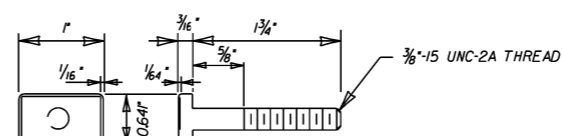
MOUNTING HARDWARE



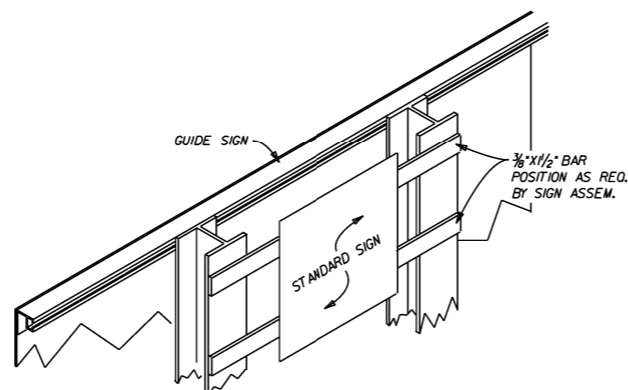
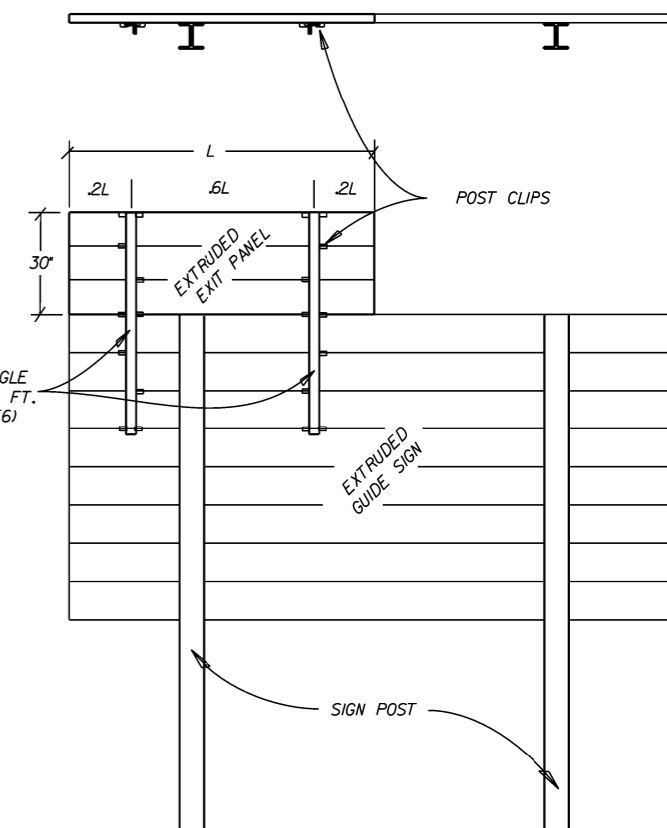
ONE PIECE EXTRUDED SIGN PANELS



POST CLIP PLACEMENT



POST CLIP BOLT



SECONDARY SIGN INSTALLATION ON BACKSIDE OF GUIDE SIGN

		ARKANSAS STATE HIGHWAY COMMISSION	
		DETAILS OF GUIDE SIGN PANELS	
		STANDARD DRAWING SHS-5	
9-12-13	ISSUED		
DATE	REVISION		FILMED